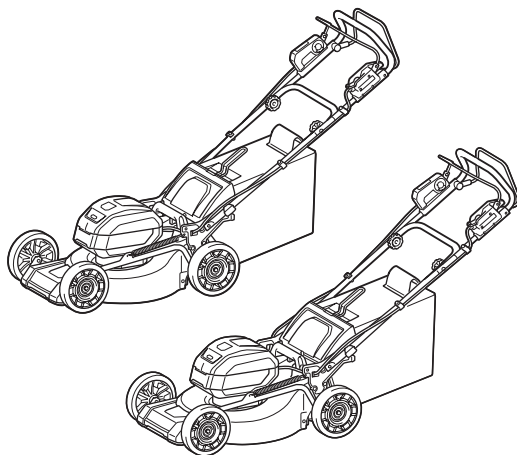




EN	Cordless Lawn Mower	INSTRUCTION MANUAL	9
FR	Tondeuse Sans Fil	MANUEL D'INSTRUCTIONS	21
DE	Akku Rasenmäher	BETRIEBSANLEITUNG	35
IT	Tosaerba a batteria	ISTRUZIONI PER L'USO	50
NL	Accugrasmaaier	GEBRUIKSAANWIJZING	64
ES	Cortadora de Césped	MANUAL DE INSTRUCCIONES	78
PT	Cortadora de Grama a Bateria	MANUAL DE INSTRUÇÕES	92
EL	Μηχανή γκαζόν με μπαταρία	ΕΓΧΕΙΡΙΔΙΟ ΟΔΗΓΙΩΝ	106
TR	Akülü Çim Biçme Makinası	KULLANMA KILAVUZU	121

LM001G
LM002G



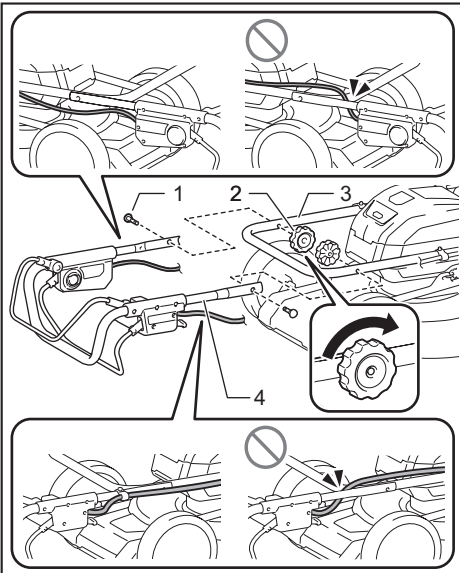


Fig.1

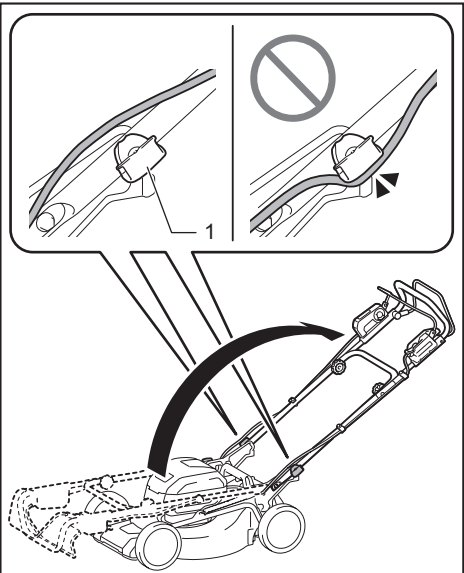


Fig.3

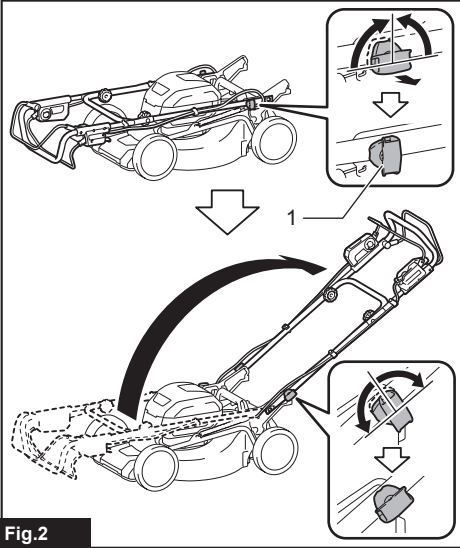


Fig.2

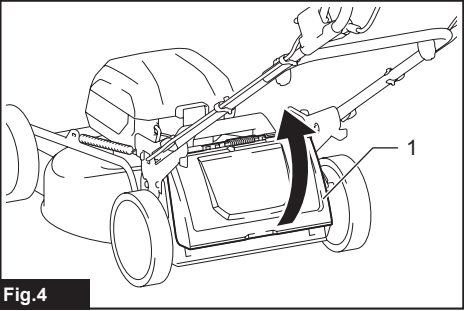


Fig.4

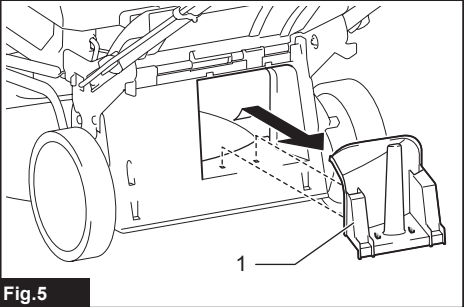


Fig.5

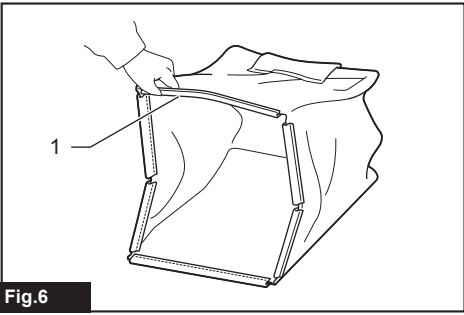


Fig.6

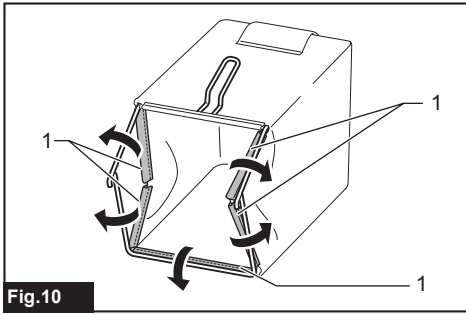


Fig.10

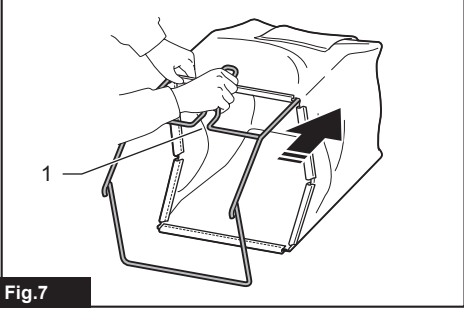


Fig.7

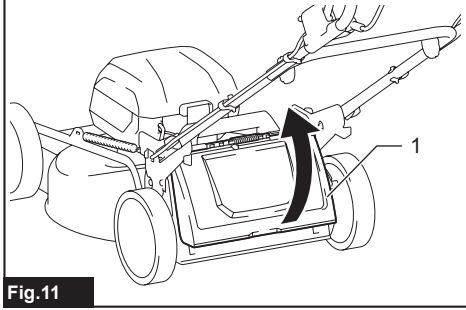


Fig.11

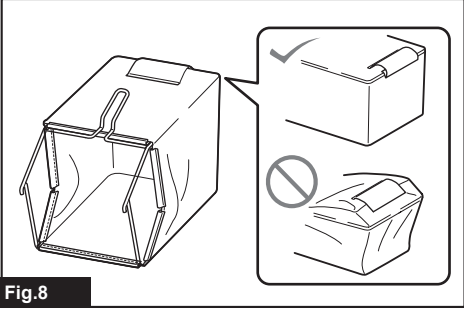


Fig.8

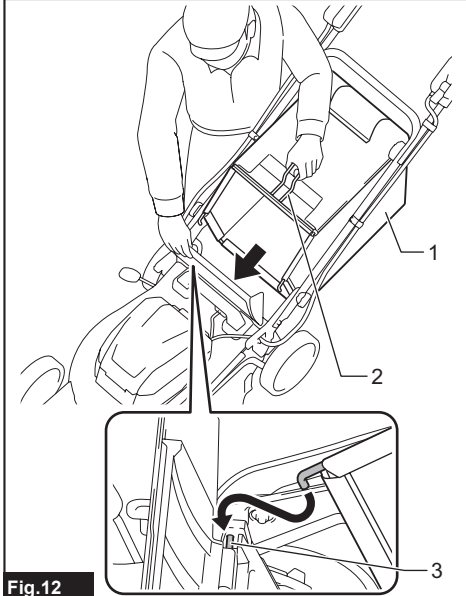


Fig.12

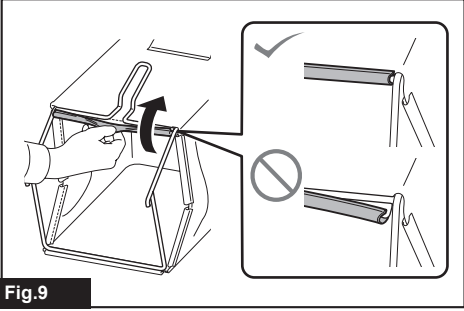


Fig.9

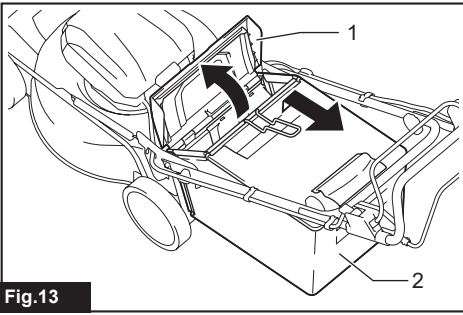


Fig.13

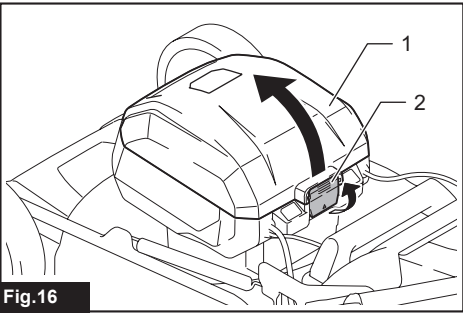


Fig.16

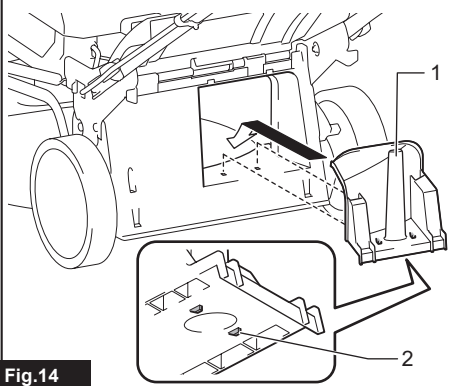


Fig.14

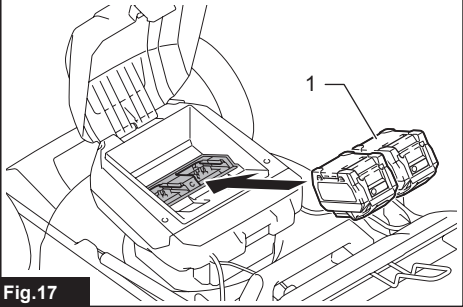


Fig.17

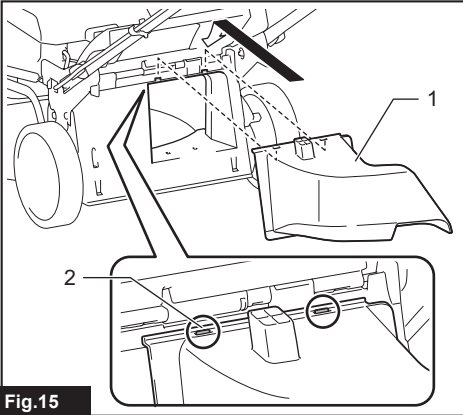


Fig.15

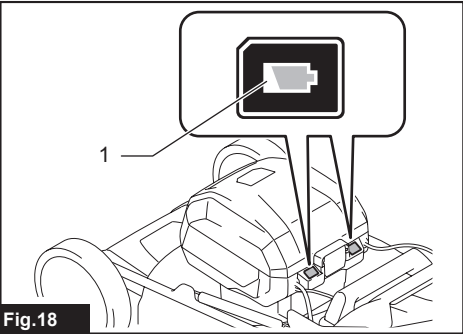


Fig.18

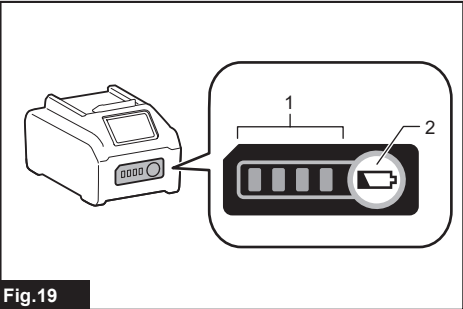
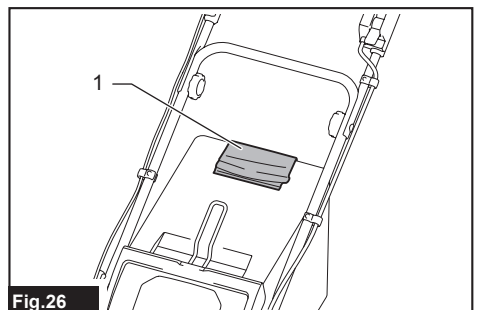
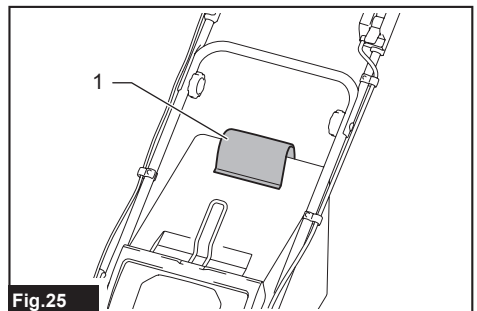
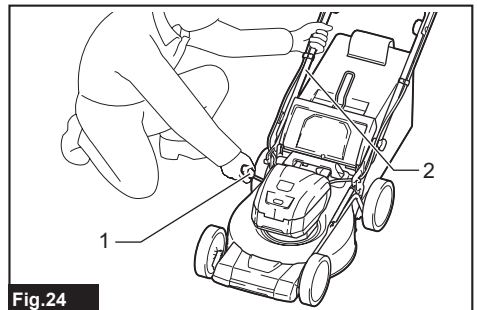
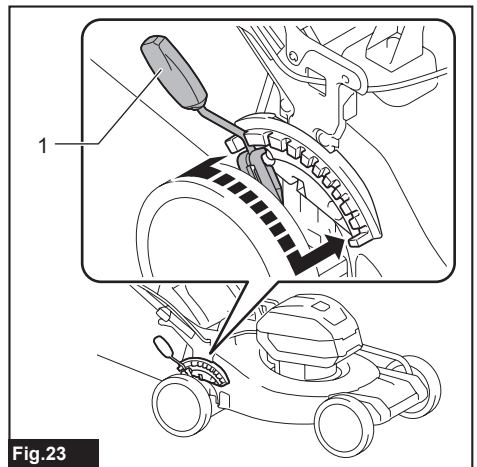
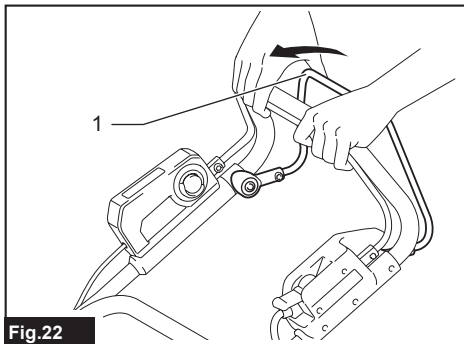
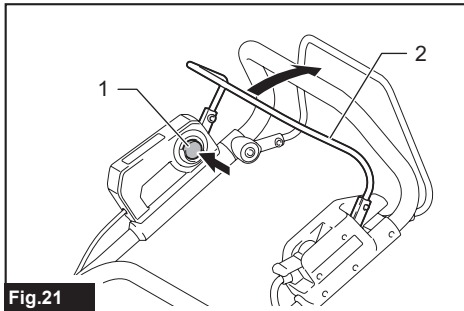
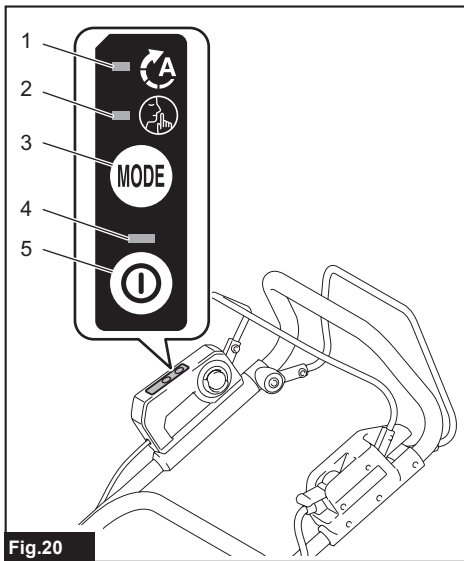


Fig.19



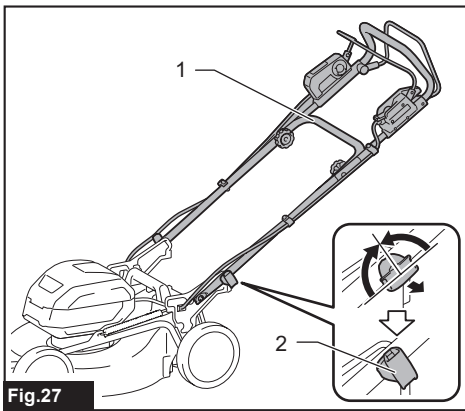


Fig.27

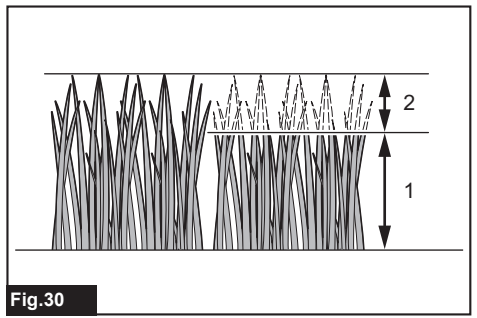


Fig.30

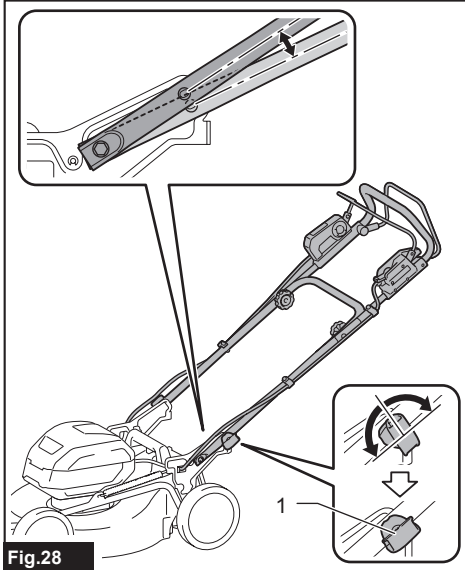


Fig.28



Fig.31

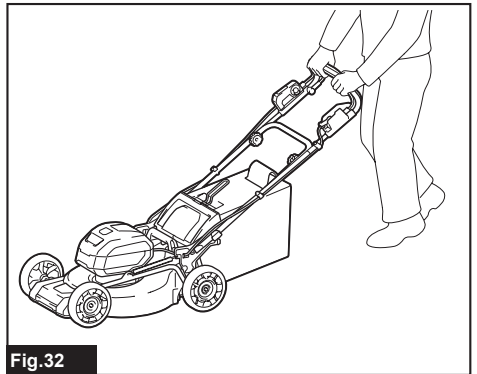


Fig.32

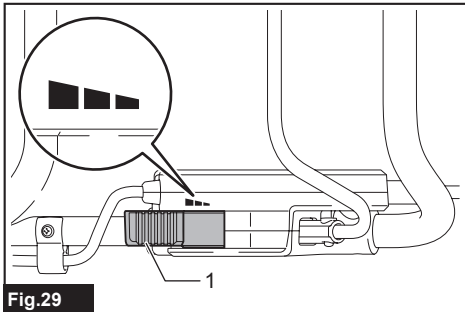


Fig.29

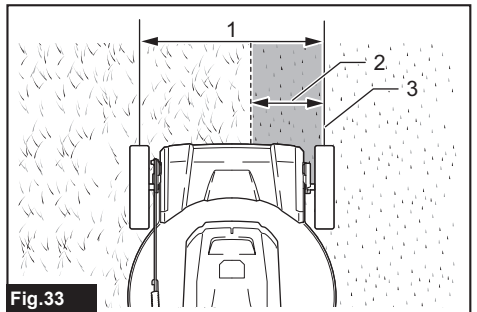


Fig.33

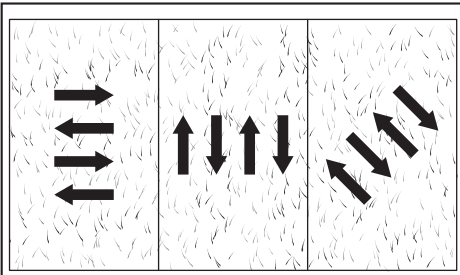


Fig.34

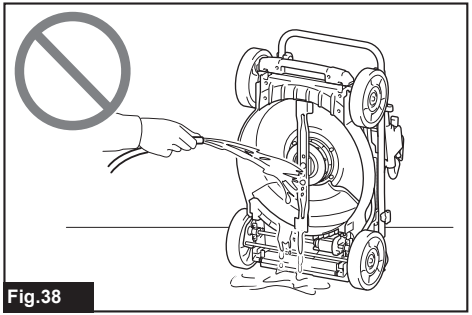


Fig.38

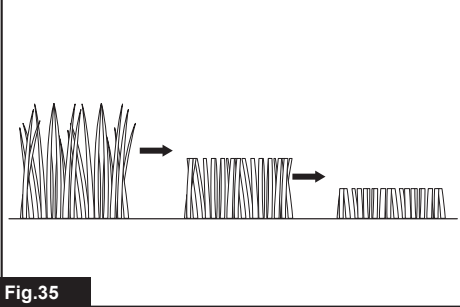


Fig.35

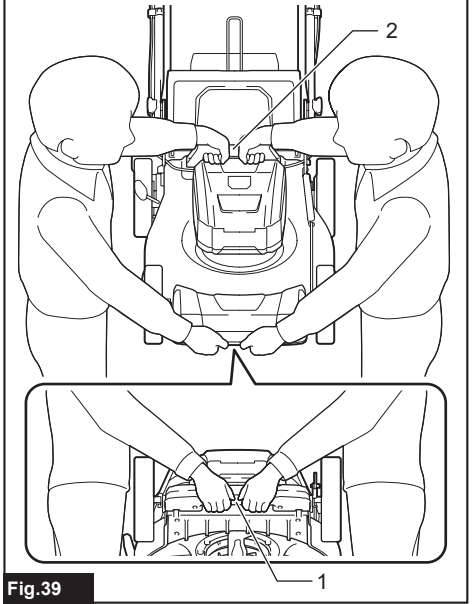


Fig.39

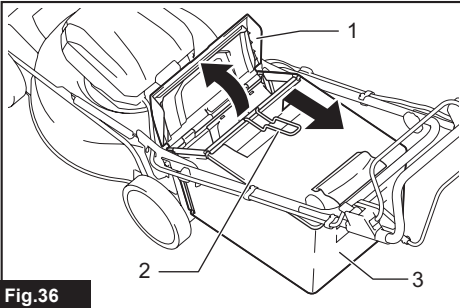


Fig.36

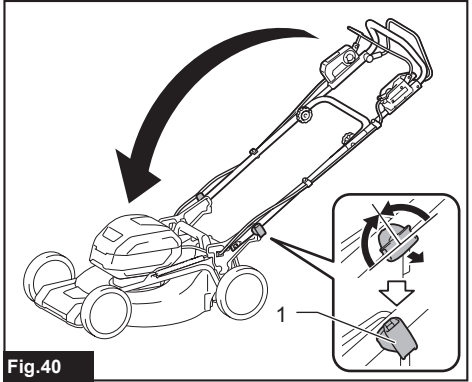


Fig.40

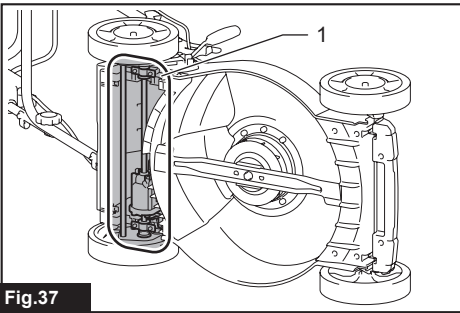


Fig.37

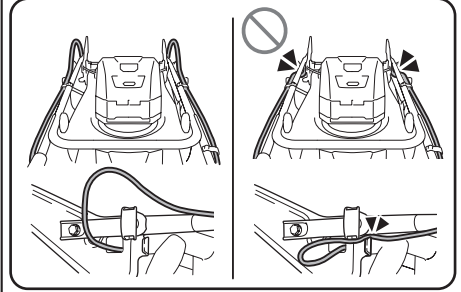
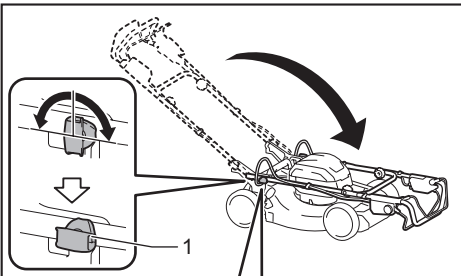


Fig.41

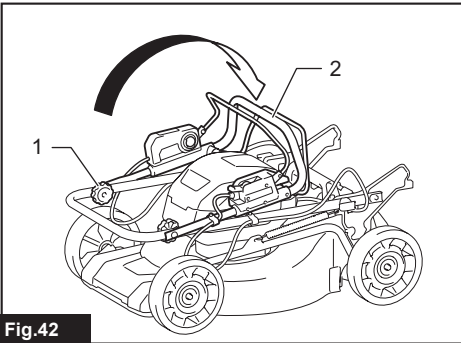


Fig.42

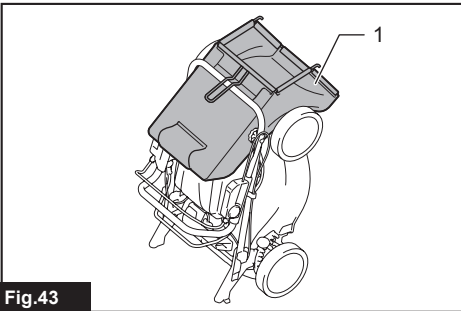


Fig.43

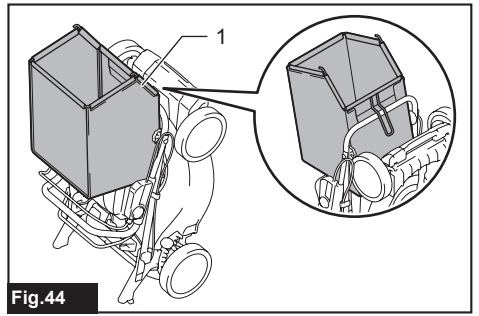


Fig.44

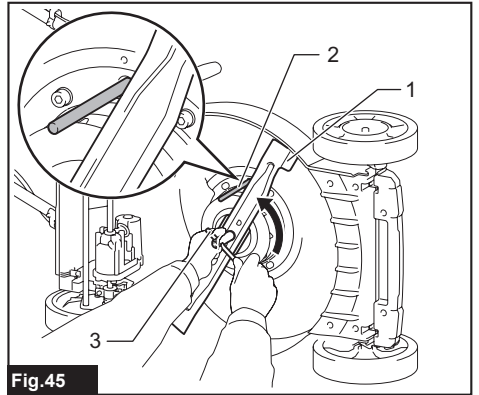


Fig.45

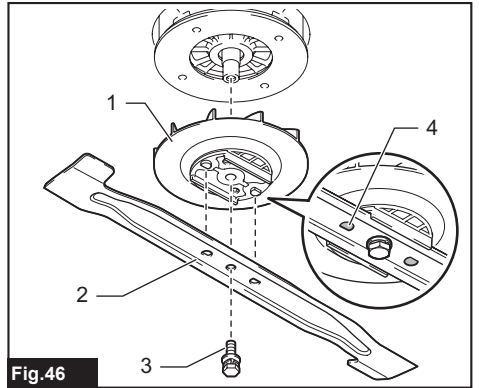


Fig.46

SPECIFICATIONS

Model:		LM001G	LM002G
Mowing width (blade diameter)		480 mm	534 mm
No load speed	Normal mode	3,200 min ⁻¹	2,800 min ⁻¹
	Soft no-load mode	2,500 - 3,200 min ⁻¹	2,300 - 2,800 min ⁻¹
	Noise reduction mode	2,500 min ⁻¹	2,300 min ⁻¹
Part number of replacement mower blade	Straight mower blade	191V97-3	191V96-5
	Straight mower blade *1	-	191W87-2
	Mulching blade	191Y64-6	191Y65-4
Dimensions (L x W x H)	during operation	L: 1,670 mm to 1,745 mm W: 550 mm H: 965 mm to 1,075 mm	L: 1,740 mm to 1,810 mm W: 595 mm H: 970 mm to 1,080 mm
	when stored (without grass basket)	585 mm x 550 mm x 900 mm	580 mm x 595 mm x 930 mm
Traveling speed		1.5 - 5.0 km/h	
Rated voltage		D.C. 36 V - 40 V max	
Net weight		28.0 - 33.0 kg	29.3 - 34.5 kg
Protection degree		IPX4	

*1. Mower blade for more efficient collection of grass.

- Due to our continuing program of research and development, the specifications herein are subject to change without notice.
- Specifications may differ from country to country.
- The weight may differ depending on the attachment(s), including the battery cartridge. The lightest and heaviest combinations, according to EPTA-Procedure 01/2014, are shown in the table.

Applicable battery cartridge and charger

Battery cartridge	BL4020 / BL4025 / BL4040* / BL4040F* / BL4050F* / BL4080F* * : Recommended battery
Charger	DC40RA / DC40RB / DC40RC / DC40WA

- Some of the battery cartridges and chargers listed above may not be available depending on your region of residence.

⚠ WARNING: Only use the battery cartridges and chargers listed above. Use of any other battery cartridges and chargers may cause injury and/or fire.


⚠ WARNING: Do not use a corded power supply such as battery adapter or portable power pack with this machine. The cable of such power supply may hinder the operation and result in personal injury.


Symbols

The followings show the symbols which may be used for the equipment. Be sure that you understand their meaning before use.

 Take particular care and attention.

 Read instruction manual.

 Danger; be aware of thrown objects.

 The distance between the tool and bystanders must be at least 15 m.



Never put your hands and feet near the mower blade under the mower. Mower blades continue to rotate after the motor is switched off.



Warning; Disconnect battery before maintenance.



Electrical hazard. Contact with water can cause electric shock.



Do not pour water.



Only for EU countries
 Due to the presence of hazardous components in the equipment, waste electrical and electronic equipment, accumulators and batteries may have a negative impact on the environment and human health. Do not dispose of electrical and electronic appliances or batteries with household waste! In accordance with the European Directive on waste electrical and electronic equipment and on accumulators and batteries and waste accumulators and batteries, as well as their adaptation to national law, waste electrical equipment, batteries and accumulators should be stored separately and delivered to a separate collection point for municipal waste, operating in accordance with the regulations on environmental protection. This is indicated by the symbol of the crossed-out wheeled bin placed on the equipment.



Guaranteed sound power level according to EU Outdoor Noise Directive.



Sound power level according to Australia NSW Noise Control Regulation.

Intended use

The machine is intended for lawn mowing.

Noise

The typical A-weighted noise level determined according to EN62841-4-3:

Model LM001G

Measured sound power level (L_{WA}) : 91 dB (A)
 Guaranteed sound power level (L_{WA}) : 94 dB (A)
 Sound pressure level (L_{pA}) : 81 dB (A)
 Uncertainty for sound pressure level (K) : 3 dB (A)

Model LM002G

Measured sound power level (L_{WA}) : 91 dB (A)
 Guaranteed sound power level (L_{WA}) : 94 dB (A)
 Sound pressure level (L_{pA}) : 81 dB (A)
 Uncertainty for sound pressure level (K) : 3 dB (A)

NOTE: The declared noise emission value(s) has been measured in accordance with a standard test method and may be used for comparing one tool with another.

NOTE: The declared noise emission value(s) may also be used in a preliminary assessment of exposure.

⚠ WARNING: Wear ear protection.

⚠ WARNING: The noise emission during actual use of the power tool can differ from the declared value(s) depending on the ways in which the tool is used especially what kind of workpiece is processed.

⚠ WARNING: Be sure to identify safety measures to protect the operator that are based on an estimation of exposure in the actual conditions of use (taking account of all parts of the operating cycle such as the times when the tool is switched off and when it is running idle in addition to the trigger time).

Vibration

The vibration total value (tri-axial vector sum) determined according to EN62841-4-3:

Model LM001G

Vibration emission (a_h) : 2.5 m/s² or less
 Uncertainty (K) : 1.5 m/s²

Model LM002G

Vibration emission (a_h) : 2.5 m/s² or less
 Uncertainty (K) : 1.5 m/s²

NOTE: The declared vibration total value(s) has been measured in accordance with a standard test method and may be used for comparing one tool with another.

NOTE: The declared vibration total value(s) may also be used in a preliminary assessment of exposure.

⚠ WARNING: The vibration emission during actual use of the power tool can differ from the declared value(s) depending on the ways in which the tool is used especially what kind of workpiece is processed.

⚠ WARNING: Be sure to identify safety measures to protect the operator that are based on an estimation of exposure in the actual conditions of use (taking account of all parts of the operating cycle such as the times when the tool is switched off and when it is running idle in addition to the trigger time).

Declarations of Conformity

For European countries only

The Declarations of conformity are included in Annex A to this instruction manual.

SAFETY WARNINGS

General power tool safety warnings

⚠ WARNING Read all safety warnings, instructions, illustrations and specifications provided with this power tool. Failure to follow all instructions listed below may result in electric shock, fire and/or serious injury.

Save all warnings and instructions for future reference.

The term "power tool" in the warnings refers to your mains-operated (corded) power tool or battery-operated (cordless) power tool.

Cordless Lawn Mower Safety Warnings

1. Do not use the lawnmower in bad weather conditions, especially when there is a risk of lightning. This decreases the risk of being struck by lightning.
2. Thoroughly inspect the area for wildlife where the lawnmower is to be used. Wildlife may be injured by the lawnmower during operation.

IMPORTANT SAFETY INSTRUCTIONS

3. **Thoroughly inspect the area where the lawnmower is to be used and remove all stones, sticks, wires, bones, and other foreign objects.** Thrown objects can cause personal injury.
4. **Before using the lawnmower, always visually inspect to see that the blade and the blade assembly are not worn or damaged.** Worn or damaged parts increase the risk of injury.
5. **Check the grass catcher frequently for wear or deterioration.** A worn or damaged grass catcher may increase the risk of personal injury.
6. **Keep guards in place. Guards must be in working order and be properly mounted.** A guard that is loose, damaged, or is not functioning correctly may result in personal injury.
7. **Keep all cooling air inlets clear of debris.** Blocked air inlets and debris may result in overheating or risk of fire.
8. **While operating the lawnmower, always wear non-slip and protective footwear. Do not operate the lawnmower when barefoot or wearing open sandals.** This reduces the chance of injury to the feet from contact with the moving blade.
9. **While operating the lawnmower, always wear long trousers.** Exposed skin increases the likelihood of injury from thrown objects.
10. **Do not operate the lawnmower in wet grass. Walk, never run.** This reduces the risk of slipping and falling which may result in personal injury.
11. **Do not operate the lawnmower on excessively steep slopes.** This reduces the risk of loss of control, slipping and falling which may result in personal injury.
12. **When working on slopes, always be sure of your footing, always work across the face of slopes, never up or down and exercise extreme caution when changing direction.** This reduces the risk of loss of control, slipping and falling which may result in personal injury.
13. **Use extreme caution when reversing or pulling the lawnmower towards you. Always be aware of your surroundings.** This reduces the risk of tripping during operation.
14. **Do not touch blades and other hazardous moving parts while they are still in motion.** This reduces the risk of injury from moving parts.
15. **When clearing jammed material or cleaning the lawnmower, make sure all power switches are off and the battery pack is disconnected.** Unexpected operation of the lawnmower may result in serious personal injury.

SAVE THESE INSTRUCTIONS.

⚠ WARNING: DO NOT let comfort or familiarity with product (gained from repeated use) replace strict adherence to safety rules for the subject product.

MISUSE or failure to follow the safety rules stated in this instruction manual may cause serious personal injury.

⚠ WARNING: Read all safety warnings and all instructions. Failure to follow the warnings and instructions may result in electric shock, fire and/or serious injury.

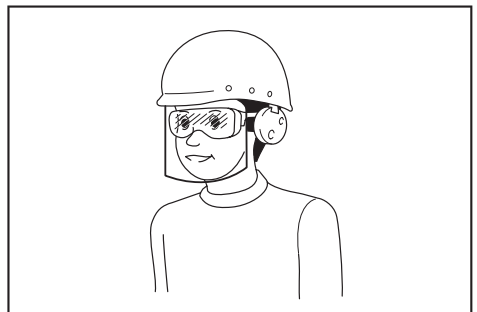
Save all warnings and instructions for future reference.

Training

1. **Read the instructions carefully. Be familiar with the controls and the proper use of the mower.**
2. **Never allow children or people unfamiliar with these instructions to use the mower. Local regulations can restrict the age of the operator.**
3. **Never operate the mower while people, especially children, or pets are nearby.**
4. **Keep in mind that the operator or user is responsible for accidents or hazards occurring to other people or their property.**
5. **Children should be supervised to ensure that they do not play with the mower.**
6. **Physical condition - Do not operate mower while under the influence of drugs, alcohol, or any medication.**

Preparation

1. **While operating the mower, always wear substantial footwear and long trousers. Do not operate the mower when barefoot or wearing open sandals. Avoid wearing clothing or jewelry that is loose fitting or that has hanging cords or ties. They can be caught in moving parts.**
2. **Before use, always visually inspect the mower for damaged, missing or misplaced guards or shields.**
3. **Be sure the area is clear of other people before mowing. Stop mower if anyone enters the area.**
4. **Always wear protective goggles to protect your eyes from injury when using power tools. The goggles must comply with ANSI Z87.1 in the USA, EN 166 in Europe, or AS/NZS 1336 in Australia/New Zealand. In Australia/New Zealand, it is legally required to wear a face shield to protect your face, too.**



It is an employer's responsibility to enforce the use of appropriate safety protective equipments by the tool operators and by other persons in the immediate working area.

5. Check the blades or blade bolts carefully for cracks or damage before operation. Replace cracked or damaged blades or blade bolts immediately.
6. Remove foreign matters such as rocks, wire, bottles, bones and large sticks from the work area before mowing to prevent personal injury or damage to the mower.
7. Objects struck by the mower blade can cause severe injuries to persons. The lawn should always be carefully examined and cleared of all objects prior to each mowing.
8. Watch for holes, ruts, bumps, rocks, or other hidden objects. Uneven terrain could cause a slip and fall accident. Tall grass can hide obstacles.
9. Use personal protective equipment. Always wear eye protection. Protective equipment such as a dust mask, non-skid safety shoes, hard hat or hearing protection used for appropriate conditions will reduce personal injuries.
13. Do not tilt the mower when switching on the motor, except if the mower has to be tilted for starting. In this case, do not tilt it more than absolutely necessary and lift only the part, which is away from the operator. Always ensure that both hands are in the operating position before returning the mower to the ground.
14. Do not put hands or feet near or under rotating parts. Keep clear of the discharge opening at all times.
15. Do not transport the mower while the mower is turned on.
16. Avoid operating the mower in wet grass.
17. Always keep a firm hold on the handle.
18. Don't grasp the exposed cutting blades or cutting edges when picking up or holding the mower.
19. Keep hands and feet away from rotating blades. Caution - Blades coast after the mower is switched off.

Operation

1. Do not overreach. Keep the balance at all times. Always be sure of the footing on slopes. Walk, never run.
2. Stop the mower and turn off the machine, and make sure that all moving parts have come to a complete stop:
 - whenever you leave the mower,
 - before clearing blockages or unclogging chute,
 - before checking, cleaning or working on the mower,
 - after striking a foreign object. Inspect the mower for damage and make repairs before restarting and operating the mower,
 - whenever the mower starts vibrating abnormally.
3. Never operate the mower with defective guards or shields, or without safety devices, for example deflectors and/or grass basket, in place.
4. Avoid using the mower in bad weather conditions especially when there is a risk of lightning.
5. Wear eye protection and stout shoes at all times while operating the mower.
6. Operate the mower only in daylight or in good artificial light.
7. Switch on the mower carefully according to instructions and with feet well away from the blade(s).
8. Take care against injury to feet and hands from the mower blades.
9. Always ensure that the ventilation openings are kept clear of debris.
10. Mow across the face of slopes, never up and down. Exercise extreme caution when changing direction on slopes. Do not mow excessively steep slopes.
11. Use extreme caution when reversing or pulling the mower towards you.
12. Stop the blade(s) if the mower has to be tilted for transportation when crossing surfaces other than grass, and when transporting the mower to and from the area to be used.
20. Stop operation immediately if you notice anything unusual. Switch off the mower. Then inspect the mower.
21. Never attempt to make cutting height adjustments while mower is running if the mower has cutting height adjustment feature.
22. Release switch lever and wait for blade rotation to stop before crossing driveways, walks, roads, and any gravel-covered areas. Also turn off the machine if you leave the mower, reach to pick up or remove something out of your way, or for any other reason that may distract you from what you are doing.
23. If the mower strikes a foreign object, follow these steps:
 - Stop the mower, release the switch lever and wait until the blade comes to a complete stop.
 - Remove the battery cartridge.
 - Thoroughly inspect the mower for any damage.
 - Replace the blade if it is damaged in any way. Repair any damage before restarting and continuing to operate the mower.
24. Do not start the mower when standing in front of the discharge opening.
25. If the mower starts to vibrate abnormally (check immediately)
 - inspect for damage,
 - replace or repair any damaged parts,
 - check for and tighten any loose parts.
26. Never direct discharged material toward anyone. Avoid discharging material against a wall or obstruction. Material may ricochet back toward the operator. Stop the blade when crossing gravel surfaces.
27. Do not pull the mower backwards unless absolutely necessary. When you are compelled to back the mower from a fence or other similar obstruction, look down and behind before and while moving backwards.
28. Shut the motor off and wait until the blade comes to a complete stop before removing the grass catcher. Beware that the blades coast after turn off.

29. **When you use the machine on muddy ground, wet slope, or slippery place, pay attention to your footing.**
30. **Do not submerge the machine into a puddle.**
31. **When operating the machine, pay attention to piping and wiring.**

Maintenance and storage

1. **Replace worn or damaged parts for safety. Use only genuine replacement parts and accessories.**
2. **Inspect and maintain the mower regularly.**
3. **When not in use, store the mower out of the reach of children.**
4. **Keep all nuts, bolts, and screws tight to be sure the equipment is in safe working condition.**
5. **Check the grass basket frequently for wear or deterioration. For storage, always make sure the grass basket is empty. Replace a worn grass basket with a new factory replacement for safety.**
6. **Use only the manufacturer genuine blades specified in this manual.**
7. **Be careful during adjustment of the mower to prevent entrapment of the fingers between moving blades and fixed parts of the mower.**
8. **Check the blade mounting bolt at frequent intervals for proper tightness.**
9. **Always allow the mower to cool down before storing.**
10. **When servicing the blades be aware that, even though the power source is switched off, the blades can still be moved.**
11. **Never remove or tamper with safety devices. Check their proper operation regularly. Never do anything to interfere with the intended function of a safety device or to reduce the protection provided by a safety device.**
12. **Do not leave the machine unattended outdoors in the rain.**
13. **When storing the machine, avoid direct sunlight and rain, and store it in a place where it does not get hot or humid.**

Battery tool use and care

1. **Recharge only with the charger specified by the manufacturer.** A charger that is suitable for one type of battery pack may create a risk of fire when used with another battery pack.
2. **Use power tools only with specifically designed battery packs.** Use of any other battery packs may create a risk of injury and fire.
3. **When battery pack is not in use, keep it away from other metal objects, like paper clips, coins, keys, nails, screws or other small metal objects, that can make a connection from one terminal to another.** Shorting the battery terminals together may cause burns or a fire.
4. **Under abusive conditions, liquid may be ejected from the battery; avoid contact. If contact accidentally occurs, flush with water. If liquid contacts eyes, additionally seek medical help.** Liquid ejected from the battery may cause irritation or burns.

5. **Do not use a battery pack or tool that is damaged or modified.** Damaged or modified batteries may exhibit unpredictable behaviour resulting in fire, explosion or risk of injury.
6. **Do not expose a battery pack or tool to fire or excessive temperature.** Exposure to fire or temperature above 130 °C may cause explosion.
7. **Follow all charging instructions and do not charge the battery pack or tool outside the temperature range specified in the instructions.** Charging improperly or at temperatures outside the specified range may damage the battery and increase the risk of fire.

Electrical and battery safety

1. **Do not dispose of the battery(ies) in a fire.** The cell may explode. Check with local codes for possible special disposal instructions.
2. **Do not open or mutilate the battery(ies).** Released electrolyte is corrosive and may cause damage to the eyes or skin. It may be toxic if swallowed.
3. **Do not charge battery in rain, or in wet locations.**
4. **Do not charge the battery outdoors.**
5. **Do not handle charger, including charger plug, and charger terminals with wet hands.**
6. **Do not replace the battery in the rain.**
7. **Do not wet the terminal of battery with liquid such as water, or submerge the battery. Do not leave the battery in the rain, nor charge, use, or store the battery in a damp or wet place.** If the terminal gets wet or liquid enters inside of battery, the battery may be short circuited and there is a risk of overheat, fire, or explosion.
8. **After removing the battery from the machine or charger, be sure to attach the battery cover to the battery and store it in a dry place.**
9. **Do not replace the battery with wet hands.**
10. **Avoid dangerous environment. Don't use the machine in damp or wet locations or expose it to rain.** Water entering the machine will increase the risk of electric shock.
11. **If the battery cartridge gets wet, drain the water inside and then wipe it with a dry cloth. Dry the battery cartridge completely in a dry place before use.**

Service

1. **Have your power tool serviced by a qualified repair person using only identical replacement parts.** This will ensure that the safety of the power tool is maintained.
2. **Never service damaged battery packs.** Service of battery packs should only be performed by the manufacturer or authorized service providers.

SAVE THESE INSTRUCTIONS.

⚠WARNING: DO NOT let comfort or familiarity with product (gained from repeated use) replace strict adherence to safety rules for the subject product.

MISUSE or failure to follow the safety rules stated in this instruction manual may cause serious personal injury.

Important safety instructions for battery cartridge

1. Before using battery cartridge, read all instructions and cautionary markings on (1) battery charger, (2) battery, and (3) product using battery.
2. Do not disassemble or tamper with the battery cartridge. It may result in a fire, excessive heat, or explosion.
3. If operating time has become excessively shorter, stop operating immediately. It may result in a risk of overheating, possible burns and even an explosion.
4. If electrolyte gets into your eyes, rinse them out with clear water and seek medical attention right away. It may result in loss of your eyesight.
5. Do not short the battery cartridge:
 - (1) Do not touch the terminals with any conductive material.
 - (2) Avoid storing battery cartridge in a container with other metal objects such as nails, coins, etc.
 - (3) Do not expose battery cartridge to water or rain.

A battery short can cause a large current flow, overheating, possible burns and even a breakdown.
6. Do not store and use the tool and battery cartridge in locations where the temperature may reach or exceed 50 °C (122 °F).
7. Do not incinerate the battery cartridge even if it is severely damaged or is completely worn out. The battery cartridge can explode in a fire.
8. Do not nail, cut, crush, throw, drop the battery cartridge, or hit against a hard object to the battery cartridge. Such conduct may result in a fire, excessive heat, or explosion.
9. Do not use a damaged battery.
10. The contained lithium-ion batteries are subject to the Dangerous Goods Legislation requirements. For commercial transports e.g. by third parties, forwarding agents, special requirement on packaging and labeling must be observed. For preparation of the item being shipped, consult an expert for hazardous material is required. Please also observe possibly more detailed national regulations. Tape or mask off open contacts and pack up the battery in such a manner that it cannot move around in the packaging.
11. When disposing the battery cartridge, remove it from the tool and dispose of it in a safe place. Follow your local regulations relating to disposal of battery.
12. Use the batteries only with the products specified by Makita. Installing the batteries to non-compliant products may result in a fire, excessive heat, explosion, or leak of electrolyte.
13. If the tool is not used for a long period of time, the battery must be removed from the tool.
14. During and after use, the battery cartridge may take on heat which can cause burns or low temperature burns. Pay attention to the handling of hot battery cartridges.

15. Do not touch the terminal of the tool immediately after use as it may get hot enough to cause burns.
16. Do not allow chips, dust, or soil stuck into the terminals, holes, and grooves of the battery cartridge. It may cause heating, catching fire, burst and malfunction of the tool or battery cartridge, resulting in burns or personal injury.
17. Unless the tool supports the use near high-voltage electrical power lines, do not use the battery cartridge near high-voltage electrical power lines. It may result in a malfunction or breakdown of the tool or battery cartridge.
18. Keep the battery away from children.

SAVE THESE INSTRUCTIONS.

CAUTION: Only use genuine Makita batteries. Use of non-genuine Makita batteries, or batteries that have been altered, may result in the battery bursting causing fires, personal injury and damage. It will also void the Makita warranty for the Makita tool and charger.

Tips for maintaining maximum battery life

1. Charge the battery cartridge before completely discharged. Always stop tool operation and charge the battery cartridge when you notice less tool power.
2. Never recharge a fully charged battery cartridge. Overcharging shortens the battery service life.
3. Charge the battery cartridge with room temperature at 10 °C - 40 °C (50 °F - 104 °F). Let a hot battery cartridge cool down before charging it.
4. When not using the battery cartridge, remove it from the tool or the charger.
5. Charge the battery cartridge if you do not use it for a long period (more than six months).

ASSEMBLY

WARNING: Always be sure that all the battery cartridges are removed before carrying out any work on the machine. Failure to remove all the battery cartridges may result in serious personal injury from accidental start-up.

WARNING: Never start the mower unless it is completely assembled. Operation of the machine in a partially assembled state may result in serious personal injury from accidental start-up.

Installing the handle

NOTICE: When installing the handles, be careful not to pinch the cord between the handles. If the cord is damaged, the mower switch may not work.

1. Align the hole in the lower handle with the hole in the upper handle, then insert the bolt from outside, and then tighten the thumb nut from inside. Perform the same procedure on the other side.

► **Fig.1:** 1. Bolt 2. Thumb nut 3. Lower handle
4. Upper handle

2. Turn the knob 90° while pulling the knob on the lower handle to release the locking pin. Perform the same procedure on the other side. Raise the handle, and then turn the knob on both sides 90°. Make sure that the knobs are securely fixed.

► **Fig.2:** 1. Knob

NOTE: Supporting the handle makes it easier to release the locking pin when pulling the knob.

NOTE: When turning the knob, be careful not to get the cord caught in the knob.

► **Fig.3:** 1. Knob

Removing the mulching plug

1. Open the rear cover.

► **Fig.4:** 1. Rear cover

2. Lift up the mulching plug slightly, and then remove it.

► **Fig.5:** 1. Mulching plug

Assembling the grass basket

1. Pick up the upper clip of the grass basket.

► **Fig.6:** 1. Upper clip

2. Insert the frame into the grass basket as far as it will go while holding the handle of the frame.

► **Fig.7:** 1. Handle

NOTICE: Do not insert the handle into the grass basket. Be sure to insert the frame along the stitch of the grass basket.

3. Make sure that there is no sagging on the corners of the grass basket.

► **Fig.8**

4. Open the upper clip, and attach it to the frame.

► **Fig.9**

5. Attach all the other clips as shown in the figure. Make sure that all the clips are securely attached to the frame.

► **Fig.10:** 1. Clip

Installing or removing the grass basket

To install the grass basket, follow the steps below.

1. Open the rear cover.

► **Fig.11:** 1. Rear cover

2. Hold the handle of the grass basket, and then hook the grass basket on the rod of the mower body as shown in the figure.

► **Fig.12:** 1. Grass basket 2. Handle 3. Rod

To remove the grass basket, open the rear cover, and then remove the grass basket by holding the handle.

Attaching the mulching plug

1. Open the rear cover, and then remove the grass basket.

► **Fig.13:** 1. Rear cover 2. Grass basket

2. Attach the mulching plug by pushing it as far as it will go so that the protrusions on the mulching plug fit into the holes on the machine.

► **Fig.14:** 1. Mulching plug 2. Protrusion

Installing or removing the discharge chute

To install the discharge chute, follow the steps below.

1. Open the rear cover, and then remove the grass basket and mulching plug.

2. Hook the holes on the discharge chute to the protrusions on the mower body as shown in the figure.

► **Fig.15:** 1. Discharge chute 2. Protrusion

To remove the discharge chute, open the rear cover, and then remove the discharge chute.

FUNCTIONAL DESCRIPTION

Installing or removing battery cartridge

CAUTION: Always switch off the machine before installing or removing of the battery cartridge.

CAUTION: Hold the machine and the battery cartridge firmly when installing or removing battery cartridge. Failure to hold the machine and the battery cartridge firmly may cause them to slip off your hands and result in damage to the machine and battery cartridge and a personal injury.

CAUTION: Make sure that you lock the battery cover before use. Otherwise, mud, dirt, or water may cause damage to the product or the battery cartridge.

CAUTION: Always install the battery cartridge fully until the red indicator cannot be seen. If not, it may accidentally fall out of the machine, causing injury to you or someone around you.

CAUTION: Do not install the battery cartridge forcibly. If the cartridge does not slide in easily, it is not being inserted correctly.

CAUTION: Hold the battery cover firmly when installing or removing the battery cartridge.

To install the battery cartridge;

1. Pull up the locking lever, and then open the battery cover.

► **Fig.16:** 1. Battery cover 2. Locking lever

2. Align the tongue on the battery cartridge with the slot on the machine, and then slide the cartridge until it locks in place with a little click.

► **Fig.17:** 1. Battery cartridge

3. Close the battery cover and push it until it is latched with the locking lever.

To remove the battery cartridge;

1. Pull up the locking lever and open the battery cover.
2. Pull out the battery cartridge from the machine while sliding the button on the front of the cartridge.
3. Close the battery cover.

Machine / battery protection system

The machine is equipped with a machine/battery protection system. This system automatically cuts off power to the motor to extend machine and battery life. The machine will automatically stop during operation if the machine or battery is placed under one of the following conditions:

Overload protection

When the battery is operated in a manner that causes it to draw an abnormally high current, the machine automatically stops and the main power lamp blinks in green. In this situation, turn the machine off and stop the application that caused the machine to become overloaded. Then turn the machine on to restart.

Overheat protection

When the machine is overheated, the machine stops automatically and the main power lamp lights up in red. In this case, let the machine and batteries cool before turning the machine on again.

NOTE: When the battery is overheated, the main power lamp blinks in red.

Overdischarge protection

When the battery capacity is not enough, the machine stops automatically and the main power lamp blinks in red. In this case, remove the battery from the machine and charge the battery cartridges or change the battery cartridges to fully charged ones.

Protections against other causes

Protection system is also designed for other causes that could damage the machine and allows the machine to stop automatically. Take all the following steps to clear the causes, when the machine has been brought to a temporary halt or stop in operation.

1. Turn the machine off, and then turn it on again to restart.
2. Charge the battery(ies) or replace it/them with recharged battery(ies).
3. Let the machine and battery(ies) cool down.

If no improvement can be found by restoring protection system, then contact your local Makita Service Center.

NOTICE: If the machine stops due to a cause not described above, refer to the section for troubleshooting.

Indicating the remaining battery capacity

► Fig.18: 1. Battery indicator

When the remaining battery capacity gets low, the battery indicator blinks on the applicable battery side. By further use, the machine stops and the battery indicator lights up. In this situation, charge the battery cartridge.

















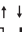

NOTE: If two battery cartridges are installed, the battery installed on the left side is used first.

NOTE: If two battery cartridges are installed, the machine automatically switches the battery when the battery in use becomes empty.

Indicating the remaining battery capacity

Press the check button on the battery cartridge to indicate the remaining battery capacity. The indicator lamps light up for a few seconds.

► Fig.19: 1. Indicator lamps 2. Check button

Indicator lamps			Remaining capacity
 Lighted	 Off	 Blinking	
			75% to 100%
			50% to 75%
			25% to 50%
			0% to 25%
			Charge the battery.
			The battery may have malfunctioned.
			

NOTE: Depending on the conditions of use and the ambient temperature, the indication may differ slightly from the actual capacity.

NOTE: The first (far left) indicator lamp will blink when the battery protection system works.

Control panel

The control panel has the main power switch and the mode switching button.

- Fig.20: 1. Soft no-load mode lamp 2. Noise reduction mode lamp 3. Mode switching button 4. Main power lamp 5. Main power switch

Main power switch

⚠WARNING: Always turn off the main power switch when not in use.

To turn on the machine, press the main power switch. The main power lamp lights up in green. To turn off the machine, press the main power switch again.

NOTE: If the main power lamp lights up in red or blinks in red or green, refer to the instructions for machine/battery protection system.

NOTE: This machine employs the auto power-off function. To avoid unintentional start up, the main power switch will automatically shut down when the switch lever and drive lever (if equipped) are not pulled for a certain period after the main power switch is turned on.

Mode switching button

You can switch the operating mode by pressing the mode switching button. When the machine is turned on, the machine starts up in the normal mode. Refer to the table below for each mode.

Mode	Lamp	Description
Normal mode	Both the soft no-load mode lamp and noise reduction mode lamp are off.	The machine works in the normal mode.
Soft no-load mode	The soft no-load mode lamp lights up in green.	You can minimize a start-up shock and start the machine smoothly.
Noise reduction mode	The noise reduction mode lamp lights up in green.	You can decrease the noise at mowing.

Switch action

⚠ WARNING: Before installing the battery cartridge, always check to see that the switch lever actuates properly and returns to the original position when released. Operating the machine with a switch that does not actuate properly can lead to loss of control and serious personal injury.

NOTE: The mower does not start without pressing the switch button even the switch lever is pulled.

NOTE: Mower may not start due to the overload when you try to mow long or dense grass at a time. Increase the mowing height in this case.

This machine is equipped with the switch button. If you notice anything unusual with the switch button, stop the operation immediately and have it checked by your nearest Makita Authorized Service Center.

1. Install the battery cartridges, and then close the battery cover.
2. Press the main power switch.

NOTE: The main power lamp blinks in green if you press the main power switch while pulling the switch lever. Release the switch lever before pressing the main power switch.

3. Pull the switch lever toward you while holding down the switch button. Release the switch button when the motor starts running.

► **Fig.21:** 1. Switch button 2. Switch lever

4. While holding the switch lever, push the drive lever forward and hold it to drive the rear wheels.

► **Fig.22:** 1. Drive lever

NOTE: You can drive the rear wheels by pushing the drive lever forward and hold it without pulling the switch lever.

5. Release the drive lever and the switch lever to stop the machine.

Adjusting the mowing height

⚠ WARNING: Never put your hand or leg under the mower body when adjusting the mowing height.

⚠ WARNING: Always make sure that the lever fits in the groove properly before operation.

The mowing height can be adjusted in the range of between 20 mm and 100 mm.

Turn off the machine, and then pull the mowing height adjusting lever outward of the mower body and move it to your desired mowing height.

► **Fig.23:** 1. Mowing height adjusting lever

The table below shows the relationship between the number on the mower body and the approximate mowing height.

Number	Mowing height
1	20 mm
2	26 mm
3	32 mm
4	39 mm
5	47 mm
6	55 mm
7	63 mm
8	74 mm
9	86 mm
10	100 mm

Hold the lower handle with one hand, and then move the mowing height adjusting lever with the other hand.

► **Fig.24:** 1. Mowing height adjusting lever 2. Lower handle

NOTE: The mowing height figures should be used just as a guideline. Depending on the conditions of the lawn or the ground, the actual lawn height may become slightly different from the set height.

NOTE: Try a test mowing of grass in a less conspicuous place to get your desired height.

Grass level indicator

Grass level indicator shows the volume of mowed grass. When the grass basket is not full, the indicator floats while the blades are running.

► **Fig.25:** 1. Grass level indicator

When the grass basket is almost full, the indicator does not float while the blades are running. In this case, stop the operation immediately and empty the basket.

► **Fig.26:** 1. Grass level indicator

NOTE: This indicator is a rough guide. Depending on the conditions of inside of the basket, this indicator may not work properly.

Adjusting the handle height

The handle height can be adjusted in two levels.

1. Hold the lower handle, and then turn the knob 90° while pulling the knob on the lower handle to release the locking pin. Perform the same procedure on the other side.
► **Fig.27:** 1. Lower handle 2. Knob

NOTE: Supporting the handle makes it easier to release the locking pin when pulling the knob.

2. Adjust the handle height, and then turn the knob on both sides 90°. Make sure that the knobs are securely fixed.
► **Fig.28:** 1. Knob

Adjusting the traveling speed

- **Fig.29:** 1. Speed lever

The traveling speed can be adjusted with the speed lever. To decrease the speed, pull the lever toward you, and to increase the speed, turn the lever forward.

Using mulching plug

The mulching plug allows you to return the cut grass to the ground without gathering the cut grass in the grass basket. When you operate the machine with the mulching plug, be sure to remove the grass basket or discharge chute.

NOTICE: When using the machine with the mulching plug, make sure that the total length of grass after cutting is 30 mm or more, and the cut length is 15 mm or less.

- **Fig.30:** (1) 30 mm or more (2) 15 mm or less

Using the discharge chute

The discharge chute allows you to discharge the cut grass to the ground from the right side of the machine without gathering the cut grass in the grass basket. When you operate the machine with the discharge chute, be sure to remove the grass basket and mulching plug.

Using the rear discharge

Using the rear discharge allows you to discharge the cut grass to the ground from the rear side of the machine without gathering the cut grass in the grass basket. When you operate the machine using the rear discharge, be sure to remove the mulching plug, and grass basket or discharge chute, and close the rear cover.

Electronic function

The machine is equipped with the electronic functions for easy operation.

- Soft start at driving
The soft-start function minimizes start-up shock, and makes the machine start smoothly.
- Electric brake
This machine is equipped with an electric brake. If the machine consistently fails to quickly stop the mower blades after releasing the switch lever, have the machine serviced at Makita Authorized Service Center.

OPERATION

Mowing

⚠WARNING: Before mowing, clear away sticks and stones from mowing area. Furthermore, clear away any weeds from mowing area in advance.

⚠WARNING: Always wear the safety goggles or safety glasses with side shields when operating the mower.

⚠CAUTION: If the cut grass or foreign object blocks up inside of the mower body, be sure to remove the battery cartridges and wear gloves before removing the grass or foreign object.

NOTICE: Use this machine for mowing lawn only. Do not mow weeds with this machine.

- **Fig.31**

Firmly hold the handle with both hands when mowing. The mowing speed guideline is approximately 7 to 14 meters per 10 seconds.

- **Fig.32**

NOTE: When cutting long lawn or dense lawn, if the unevenness in the length of lawn or poor finish is found after mowing, or decrease of the motor speed is found during mowing, decrease the mowing speed lower than recommended in this manual, or raise the mowing height.

The center lines of the front wheels are guidelines to mowing width. Using the center lines as guidelines, mow in strips. Overlap by one half to one third the previous strip to mow the lawn evenly.

- **Fig.33:** 1. Mowing width 2. Overlapping area
3. Center line

Change the mowing direction each time to prevent the grass grain pattern from forming in just one direction.

- **Fig.34**

Periodically check the grass basket for mowed grass. Empty the grass before it becomes full. Before every periodic check, be sure to stop and turn off the machine.

NOTICE: Using the mower with the grass basket full prevents smooth blade rotation and places an extra load on the motor, which may cause breakdown.

Mowing long lawn

Do not try to cut long lawn all at once. Instead, mow the lawn in steps. Leave a day or two between mowings until the lawn becomes evenly short.

- **Fig.35**

NOTE: Mowing long lawn to short length all at once may cause the lawn to die. The cut lawn may also block up inside of the mower body.

NOTE: If the unevenness in the length of lawn or poor finish is found after mowing, or decrease of the motor speed is found during mowing, decrease the mowing speed, or raise the mowing height.

Emptying the grass basket

⚠ WARNING: To reduce a risk of accident, regularly check the grass basket for any damage or weakened strength. Replace the grass basket if necessary.

1. Release the switch lever and drive lever.
2. Turn off the machine.
3. Open the rear cover and take out the grass basket by holding the handle.
▶ Fig.36: 1. Rear cover 2. Handle 3. Grass basket
4. Empty the grass basket.

MAINTENANCE

⚠ WARNING: Always be sure that all the battery cartridges are removed from the machine before storing or carrying the machine or attempting to perform inspection or maintenance.

⚠ WARNING: Wear gloves when performing inspection or maintenance.

⚠ WARNING: Always wear the safety goggles or safety glasses with side shields when performing inspection or maintenance.

NOTICE: Never use gasoline, benzene, thinner, alcohol or the like. Discoloration, deformation or cracks may result.

To maintain product SAFETY and RELIABILITY, repairs, any other maintenance or adjustment should be performed by Makita Authorized or Factory Service Centers, always using Makita replacement parts.

Maintenance

1. Remove all the battery cartridges, and then close the battery cover.
2. Put the mower on its side. Clean grass clippings accumulated on the underside of mower deck.
3. Pour water toward the bottom of the machine to which the blade is attached.

NOTICE: Do not wash the machine with high pressure water.

4. Check all nuts, bolts, screws, etc. for tightness.
5. Inspect moving parts for damage, breakage, and wear. Damaged or missing parts should be repaired or replaced.
6. Store the mower in a safe place out of the reach of children.

NOTICE: Do not pour water to the area shown in the figure. Pouring water to the motor unit may cause a malfunction of the machine.

- ▶ Fig.37: 1. Area where water should not be poured

NOTICE: Do not pour water on the machine while the machine is in the upright position as shown in the figure. If the machine is in the upright position, water may pour down the motor unit, and cause a malfunction of the machine.

- ▶ Fig.38

Carrying the mower

⚠ CAUTION: Before carrying the mower, make sure that all the battery cartridges are removed.

When carrying the mower, hold the rear grip and the lower holding part at the front of the machine with two people as shown in the figure.

- ▶ Fig.39: 1. Lower holding part 2. Rear grip

Storing

⚠ CAUTION: When putting the machine in the upright position, place the machine on a flat and stable surface. If the machine is placed on an unstable surface, the machine may fall over and cause an injury.

Store mower indoors in a cool, dry and locked place. Don't store the mower and charger in locations where the temperature may reach or exceed 40 °C.

1. Remove all the battery cartridges.
2. Turn the knob 90° while pulling the knob on the lower handle to release the locking pin. Perform the same procedure on the other side, and then fold the handle.

- ▶ Fig.40: 1. Knob

NOTE: Supporting the handle makes it easier to release the locking pin when pulling the knob.

3. Turn the knob on both sides 90°. Make sure that the knobs are securely fixed.

- ▶ Fig.41: 1. Knob

NOTICE: Be careful not to pinch the cords when folding the handle.

4. Loosen the thumb nuts on both sides, and then fold the upper handle as shown in the figure.

- ▶ Fig.42: 1. Thumb nut 2. Upper handle

5. Place the machine in the upright position.

NOTE: When putting the mower in the upright position, do not hold the handle only, but hold the mower body and handle.

6. Store the grass basket as shown in the figure.

- ▶ Fig.43: 1. Grass basket

- ▶ Fig.44: 1. Grass basket

Removing or installing the mower blade

⚠ WARNING: The blade coasts for a few seconds after releasing the switch. Do not start any operation until the blade comes to a complete stop.

⚠ WARNING: Always remove all the battery cartridges when removing or installing the blade. Failure to remove all the battery cartridges may cause a serious injury.

⚠ WARNING: Always wear gloves when handling the blade.

NOTICE: When removing or installing the mower blade, use the box wrench included in the machine package.

Removing the mower blade

1. Put the mower on its side so that the mowing height adjusting lever comes to the upper side.
2. To lock the blade, insert the pin into the hole on the mower body as far as it will go.
3. Turn the bolt counterclockwise with box wrench 17.

► **Fig.45:** 1. Mower blade 2. Pin 3. Box wrench

4. Remove the bolt, and then mower blade.
- **Fig.46:** 1. Blade support 2. Mower blade 3. Bolt 4. Protrusion

NOTICE: When installing the mower blade, make sure that the protrusions on the blade support fit in the holes in the mower blade.

Installing the mower blade

⚠WARNING: Install the mower blade carefully. It has a top/bottom facing.

⚠WARNING: Tighten the bolt clockwise firmly to secure the blade.

⚠WARNING: Make sure that the mower blade and all the fixing parts are installed correctly and tightened securely.

⚠WARNING: When you replace the blades, always follow the instructions provided in this manual.

NOTICE: After installing the mower blades, remove the pin from the mower body.

NOTICE: When tightening the bolt to install the mower blade, apply 19 - 29 N·m as tightening torque (the values are just for a reference).

To install the mower blades, perform the removal procedure in reverse.

TROUBLESHOOTING

Before asking for repairs, conduct your own inspection first. If you find a problem that is not explained in the manual, do not attempt to disassemble the machine. Instead, ask Makita Authorized Service Centers, always using Makita replacement parts for repairs.

State of abnormality	Probable cause (malfunction)	Remedy
Mower does not start.	Battery cartridge is not installed.	Install charged battery cartridge.
	Battery problem (under voltage)	Recharge the battery cartridge. If recharging is not effective, replace battery cartridge.
Motor stops running after a little use.	Battery's charge level is low.	Recharge the battery cartridge. If recharging is not effective, replace battery cartridge.
	Cutting height is too low.	Increase the cutting height.
	Cut grass is clogged in the mower.	Remove the clogged grass from the mower.
Motor does not reach maximum RPM.	Battery cartridge is installed improperly.	Install the battery cartridge as described in this manual.
	Battery power is dropping.	Recharge the battery cartridge. If recharging is not effective, replace battery cartridge.
	The drive system does not work correctly.	Ask your local authorized service center for repair.
Mower blade does not rotate: ⇒ stop the mower immediately!	Foreign object such as a branch is jammed near the blade.	Remove the foreign object.
	The drive system does not work correctly.	Ask your local authorized service center for repair.
Abnormal vibration: ⇒ stop the mower immediately!	Blade is imbalanced, excessively or unevenly worn.	Replace the blade.

OPTIONAL ACCESSORIES

⚠CAUTION: These accessories or attachments are recommended for use with your Makita machine specified in this manual. The use of any other accessories or attachments might present a risk of injury to persons. Only use accessory or attachment for its stated purpose.

If you need any assistance for more details regarding these accessories, ask your local Makita Service Center.

- Mower blade
- Makita genuine battery and charger

NOTE: Some items in the list may be included in the product package as standard accessories. They may differ from country to country.

SPÉCIFICATIONS

Modèle :		LM001G	LM002G
Largeur de tonte (diamètre de la lame)		480 mm	534 mm
Vitesse à vide	Mode normal	3 200 min ⁻¹	2 800 min ⁻¹
	Mode à vide faible	2 500 - 3 200 min ⁻¹	2 300 - 2 800 min ⁻¹
	Mode de réduction du bruit	2 500 min ⁻¹	2 300 min ⁻¹
Numéro de référence de la lame de tondeuse de remplacement	Lame de tondeuse droite	191V97-3	191V96-5
	Lame de tondeuse droite *1	-	191W87-2
	Lame de paillage	191Y64-6	191Y65-4
Dimensions (L x l x H)	pendant l'utilisation	L : 1 670 mm à 1 745 mm l : 550 mm H : 965 mm à 1 075 mm	L : 1 740 mm à 1 810 mm l : 595 mm H : 970 mm à 1 080 mm
	pendant le rangement (sans le bac à herbe)	585 mm x 550 mm x 900 mm	580 mm x 595 mm x 930 mm
Vitesse de déplacement		1,5 - 5,0 km/h	
Tension nominale		36 V - 40 V c.c. max.	
Poids net		28,0 - 33,0 kg	29,3 - 34,5 kg
Degré de protection		IPX4	

*1. Lame de tondeuse pour une collecte d'herbe plus efficace.

- Étant donné l'évolution constante de notre programme de recherche et de développement, les spécifications contenues dans ce manuel sont sujettes à modification sans préavis.
- Les spécifications peuvent varier suivant les pays.
- Le poids peut être différent selon les accessoires, notamment la batterie. Les associations la plus légère et la plus lourde, conformément à la procédure EPTA 01/2014, sont indiquées dans le tableau.

Batterie et chargeur applicables

Batterie	BL4020 / BL4025 / BL4040* / BL4040F* / BL4050F* / BL4080F* * : Batterie recommandée
Chargeur	DC40RA / DC40RB / DC40RC / DC40WA




- Certains chargeurs et batteries répertoriés ci-dessus peuvent ne pas être disponibles selon la région où vous résidez.

⚠ AVERTISSEMENT : N'utilisez que les batteries et les chargeurs répertoriés ci-dessus. L'utilisation d'autres batteries et chargeurs peut provoquer des blessures et/ou un incendie.

⚠ AVERTISSEMENT : N'utilisez pas de source d'alimentation câblée comme un adaptateur de batterie ou un support d'alimentation portable avec cette machine. Le câble de ce type de source d'alimentation pourrait gêner le fonctionnement et provoquer des blessures corporelles.

Symboles

Vous trouverez ci-dessous les symboles susceptibles d'être utilisés pour l'appareil. Veuillez à comprendre leur signification avant toute utilisation.

	Veuillez être prudent et rester attentif.
	Lire le mode d'emploi.
	Danger ; prendre garde aux projections d'objets.



La distance entre l'outil et les personnes présentes doit être d'au moins 15 m.



Ne mettez jamais les mains ou les pieds près de la lame de tondeuse sous la tondeuse. Les lames de tondeuse continuent de tourner une fois le moteur coupé.



Avertissement ; Déconnectez la batterie avant l'entretien.



Risque électrique. Le contact avec l'eau présente un risque d'électrocution.



Ne pas verser d'eau.



Pour les pays de l'Union européenne uniquement
En raison de la présence de composants dangereux dans l'équipement, les déchets d'équipements électriques et électroniques, les accumulateurs et les batteries peuvent avoir un impact négatif sur l'environnement et la santé humaine. Ne jetez pas les appareils électriques et électroniques ou les batteries avec les ordures ménagères ! Conformément à la directive européenne relative aux déchets d'équipements électriques et électroniques et aux déchets d'accumulateurs et de batteries, ainsi qu'à son adaptation à la législation nationale, les déchets d'équipements électriques, les batteries et les accumulateurs doivent être collectés séparément et déposés dans un point de collecte distinct pour déchets urbains, conformément aux réglementations en matière de protection de l'environnement. Cela est indiqué par le symbole de la poubelle à roulettes barrée sur l'équipement.



Niveau de puissance sonore garanti selon la directive européenne sur le bruit dans l'environnement.



Niveau de puissance sonore selon la réglementation australienne NSW sur le contrôle du bruit

Utilisations

La machine est conçue pour tondre la pelouse.

Bruit

Niveau de bruit pondéré A typique, déterminé selon EN62841-4-3 :

Modèle LM001G

Niveau de puissance sonore mesuré (L_{WA}) : 91 dB (A)
Niveau de puissance sonore garanti (L_{WA}) : 94 dB (A)
Niveau de pression sonore (L_{pA}) : 81 dB (A)
Incertitude pour niveau de pression sonore (K) : 3 dB (A)

Modèle LM002G

Niveau de puissance sonore mesuré (L_{WA}) : 91 dB (A)
Niveau de puissance sonore garanti (L_{WA}) : 94 dB (A)
Niveau de pression sonore (L_{pA}) : 81 dB (A)
Incertitude pour niveau de pression sonore (K) : 3 dB (A)

NOTE : La ou les valeurs d'émission de bruit déclarées ont été mesurées conformément à la méthode de test standard et peuvent être utilisées pour comparer les outils entre eux.

NOTE : La ou les valeurs d'émission de bruit déclarées peuvent aussi être utilisées pour l'évaluation préliminaire de l'exposition.

AVERTISSEMENT : Portez un serre-tête antibruit.

AVERTISSEMENT : L'émission de bruit lors de l'usage réel de l'outil électrique peut être différente de la ou des valeurs déclarées, suivant la façon dont l'outil est utilisé, particulièrement selon le type de pièce usinée.

AVERTISSEMENT : Les mesures de sécurité à prendre pour protéger l'utilisateur doivent être basées sur une estimation de l'exposition dans des conditions réelles d'utilisation (en tenant compte de toutes les composantes du cycle d'utilisation, comme par exemple le moment de sa mise hors tension, lorsqu'il tourne à vide et le moment de son déclenchement).

Vibrations

Valeur totale de vibrations (somme de vecteur triaxial) déterminée selon EN62841-4-3 :

Modèle LM001G

Émission de vibrations (a_h) : 2,5 m/s² ou moins
Incertitude (K) : 1,5 m/s²

Modèle LM002G

Émission de vibrations (a_h) : 2,5 m/s² ou moins
Incertitude (K) : 1,5 m/s²

NOTE : La ou les valeurs de vibration totales déclarées ont été mesurées conformément à la méthode de test standard et peuvent être utilisées pour comparer les outils entre eux.

NOTE : La ou les valeurs de vibration totales déclarées peuvent aussi être utilisées pour l'évaluation préliminaire de l'exposition.

AVERTISSEMENT : L'émission de vibrations lors de l'usage réel de l'outil électrique peut être différente de la ou des valeurs déclarées, suivant la façon dont l'outil est utilisé, particulièrement selon le type de pièce usinée.

AVERTISSEMENT : Les mesures de sécurité à prendre pour protéger l'utilisateur doivent être basées sur une estimation de l'exposition dans des conditions réelles d'utilisation (en tenant compte de toutes les composantes du cycle d'utilisation, comme par exemple le moment de sa mise hors tension, lorsqu'il tourne à vide et le moment de son déclenchement).

Déclarations de conformité

Pour les pays européens uniquement

Les déclarations de conformité sont fournies en Annexe A à ce mode d'emploi.

CONSIGNES DE SÉCURITÉ

Consignes de sécurité générales pour outils électriques

AVERTISSEMENT Veuillez lire toutes les consignes de sécurité, instructions, illustrations et spécifications qui accompagnent cet outil électrique. Le non-respect de toutes les instructions indiquées ci-dessous peut entraîner une électrocution, un incendie et/ou de graves blessures.

Conservez toutes les mises en garde et instructions pour référence ultérieure.

Le terme « outil électrique » dans les avertissements fait référence à l'outil électrique alimenté par le secteur (avec cordon d'alimentation) ou à l'outil électrique fonctionnant sur batterie (sans cordon d'alimentation).

Consignes de sécurité pour tondeuse sans fil

1. **N'utilisez pas la tondeuse par mauvais temps, particulièrement en cas d'orage.** Vous éviterez ainsi d'être frappé par la foudre.
2. **Vérifiez soigneusement l'absence d'animaux sauvages dans la zone où la tondeuse doit être utilisée.** Les animaux sauvages peuvent être blessés par la tondeuse pendant son fonctionnement.
3. **Inspectez soigneusement la zone où la tondeuse doit être utilisée et retirez toutes les pierres, brindilles, fils, os et autres corps étrangers.** Les projections d'objets comportent un risque de blessure.
4. **Avant d'utiliser la tondeuse, vérifiez toujours visuellement que la lame et l'ensemble de lame ne sont pas usés ou endommagés.** Les pièces usées ou endommagées augmentent le risque de blessures.
5. **Inspectez régulièrement le collecteur d'herbe pour vérifier l'absence d'usure ou de détérioration.** Un collecteur d'herbe usé ou endommagé peut augmenter le risque de blessures.
6. **Conservez les protecteurs en place. Les protecteurs doivent être en état de fonctionnement et correctement montés.** Un protecteur lâche, détérioré ou fonctionnant mal peut entraîner des blessures corporelles.
7. **Assurez-vous que toutes les entrées d'air de refroidissement ne sont pas obstruées par des débris.** Les entrées d'air obstruées et les débris peuvent entraîner une surchauffe ou un risque d'incendie.
8. **Pendant l'utilisation de la tondeuse, portez toujours des chaussures antidérapantes et de protection. N'utilisez pas la tondeuse pieds nus ou avec des sandales qui laissent les pieds partiellement découverts.** Cela réduit les risques de blessures aux pieds en cas de contact avec la lame en mouvement.
9. **Pendant l'utilisation de la tondeuse, portez toujours un pantalon long.** La peau exposée augmente les risques de blessures provoquées par les projections d'objets.
10. **N'utilisez pas la tondeuse sur de l'herbe mouillée. Ne courez jamais ; marchez.** Cela permet de réduire le risque de dérapage et de chute, susceptibles de provoquer une blessure.
11. **N'utilisez pas la tondeuse sur des pentes trop raides.** Cela permet de réduire le risque de perte de contrôle, de dérapage et de chute, susceptibles de provoquer une blessure.
12. **En cas de travail en pente, ayez toujours une bonne prise au sol, travaillez perpendiculairement au sens de la pente, jamais vers le haut ou vers le bas, et soyez extrêmement attentif en cas de changement de direction.** Cela permet de réduire le risque de perte de contrôle, de dérapage et de chute, susceptibles de provoquer une blessure.
13. **Soyez très prudent lorsque vous faites reculer la tondeuse ou la tirez vers vous. Soyez toujours conscient de votre environnement.** Vous éviterez ainsi de trébucher pendant le fonctionnement.

14. **Ne touchez pas les lames et autres pièces en mouvement dangereuses lorsqu'elles sont encore en mouvement.** Cela réduit le risque de blessures provoquées par les pièces en mouvement.
15. **Lorsque vous dégagez un matériau bloqué ou nettoyez la tondeuse, assurez-vous que tous les interrupteurs d'alimentation sont en position d'arrêt et que la batterie est débranchée.** Le fonctionnement brusque de la tondeuse peut entraîner de graves blessures.

CONSERVEZ CES INSTRUCTIONS.

⚠️ AVERTISSEMENT : NE vous laissez PAS tromper (au fil d'une utilisation répétée) par un sentiment d'aisance et de familiarité avec le produit, en négligeant le respect rigoureux des consignes de sécurité qui accompagnent le produit en question.

La MAUVAISE UTILISATION de l'outil ou l'ignorance des consignes de sécurité indiquées dans ce mode d'emploi peut entraîner de graves blessures.

CONSIGNES DE SÉCURITÉ IMPORTANTES

⚠️ AVERTISSEMENT : Lisez toutes les consignes de sécurité et toutes les instructions. Il y a un risque d'électrocution, d'incendie et/ou de graves blessures si les mises en garde et les instructions ne sont pas respectées.

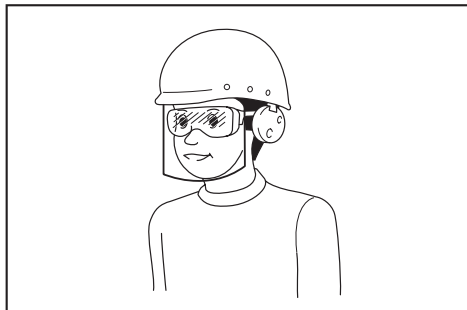
Conservez toutes les mises en garde et instructions pour référence ultérieure.

Formation

1. **Lisez attentivement les instructions.** Familiarisez-vous avec les commandes et la bonne utilisation de la tondeuse.
2. **Ne laissez jamais les enfants ou les personnes qui ne sont pas familiarisées avec ces instructions utiliser la tondeuse.** Les réglementations locales peuvent spécifier un âge minimum pour l'utilisation.
3. **N'utilisez jamais la tondeuse alors que des personnes — et tout particulièrement des enfants — ou des animaux domestiques se trouvent à proximité.**
4. **Gardez à l'esprit que l'opérateur ou l'utilisateur est responsable des accidents ou risques encourus par les personnes ou leur propriété.**
5. **Les enfants doivent être sous la surveillance d'un adulte afin de s'assurer qu'ils ne jouent pas avec la tondeuse.**
6. **Condition physique - N'utilisez pas la tondeuse après avoir consommé une drogue, de l'alcool ou un médicament.**

Préparatifs

1. Pendant l'utilisation de la tondeuse, portez toujours des chaussures résistantes et un pantalon long. N'utilisez pas la tondeuse pieds nus ou avec des sandales qui laissent les pieds partiellement découverts. Évitez de porter des vêtements et bijoux amples ou dotés de cordons ou attaches qui pendent. Les pièces mobiles risqueraient de les happer.
2. Avant utilisation, inspectez toujours visuellement la tondeuse pour vérifier que les carters ou écrans de protection ne sont pas endommagés, manquants ou égarés.
3. Assurez-vous qu'il n'y a personne à proximité avant de commencer à tondre. Arrêtez la tondeuse si quelqu'un s'approche.
4. Pour protéger vos yeux des blessures lorsque vous utilisez un outil électrique, portez toujours des lunettes de protection, lesquelles doivent être conformes à ANSI Z87.1 aux États-Unis, EN 166 en Europe ou AS/NZS 1336 en Australie/Nouvelle-Zélande. En Australie/Nouvelle-Zélande, la loi exige également le port d'un écran facial pour se protéger le visage.



L'employeur est responsable d'imposer le port d'équipements de sécurité appropriés par les utilisateurs de l'outil et par les autres personnes se trouvant à proximité de la zone de travail.

5. Vérifiez soigneusement l'absence de fissures ou de dommages sur les lames ou les boulons des lames avant l'utilisation. Remplacez immédiatement les lames ou les boulons des lames fissurés ou abîmés.
6. Pour éviter de vous blesser ou d'abîmer la tondeuse, enlevez les corps étrangers tels que pierres, câbles, bouteilles, os et gros bouts de bois dans la zone de travail avant de commencer à tondre.
7. Les objets heurtés par la lame de tondeuse peuvent provoquer de graves blessures. Pensez toujours à inspecter soigneusement le gazon et à retirer tous les objets avant de tondre.
8. Prenez garde aux trous, ornières, bosses, pierres ou autres objets cachés. Un terrain irrégulier est propice aux glissades et aux chutes. L'herbe haute peut masquer les obstacles.
9. Utilisez un équipement de protection individuelle. Portez toujours une protection oculaire. Les équipements de sécurité tels que les masques contre les poussières, les chaussures de sécurité antidérapantes, les casques ou les protecteurs d'oreilles utilisés pour les conditions appropriées réduiront les blessures.

Fonctionnement

1. Ne vous penchez pas trop loin. Maintenez toujours votre équilibre. Assurez-vous toujours d'être en position stable dans les pentes. Ne courez jamais ; marchez.
2. Arrêtez la tondeuse, éteignez la machine et assurez-vous que toutes les pièces mobiles sont parfaitement arrêtées :
 - chaque fois que vous laissez la tondeuse sans surveillance,
 - avant de retirer un objet bloqué ou de déboucher la goulotte,
 - avant d'effectuer la vérification, le nettoyage ou l'entretien de la tondeuse,
 - après avoir heurté un corps étranger. Avant de redémarrer et d'utiliser la tondeuse, vérifiez l'absence de dommages et effectuez les réparations nécessaires,
 - chaque fois que la tondeuse se met à vibrer de manière inhabituelle.
3. N'utilisez jamais la tondeuse si ses carters ou écrans de protection ne fonctionnent pas, ou si ses dispositifs de sécurité (tels que les déflecteurs et/ou le bac à herbe) ne sont pas posés.
4. Évitez d'utiliser la tondeuse par mauvais temps, particulièrement en cas d'orage.
5. Portez toujours une protection oculaire et des chaussures solides pendant que vous utilisez la tondeuse.
6. N'utilisez la tondeuse qu'à la lumière du jour ou sous un bon éclairage artificiel.
7. Démarrez la tondeuse prudemment, en suivant les instructions et en gardant les pieds bien à l'écart de la ou des lames.
8. Prenez garde de ne pas vous blesser les pieds et les mains avec les lames de la tondeuse.
9. Assurez-vous toujours que les bouches d'aération ne sont pas obstruées par des débris.
10. Tondez toujours les pentes latéralement, jamais de haut en bas ou vice-versa. Soyez très prudent lorsque vous changez de direction dans les pentes. Ne tondez pas dans les pentes trop abruptes.
11. Soyez très prudent lorsque vous faites reculer la tondeuse ou la tirez vers vous.
12. Immobilisez la ou les lames si vous devez incliner la tondeuse pour la transporter en traversant une surface autre que du gazon, et lorsque vous transportez la tondeuse vers ou hors de la zone d'utilisation.
13. N'inclinez pas la tondeuse en allumant le moteur, sauf si la tondeuse doit être inclinée pour le démarrage. Le cas échéant, ne l'inclinez pas plus que nécessaire et ne soulevez que la partie opposée à vous. Avant de ramener la tondeuse au sol, veillez à ce que vos deux mains soient toujours en position d'utilisation.
14. Ne mettez pas les mains ou les pieds près des pièces en rotation, ou sous celles-ci. Restez en tout temps à l'écart de l'ouverture de décharge.
15. Ne transportez pas la tondeuse pendant qu'elle tourne.

16. Évitez d'utiliser la tondeuse sur de l'herbe mouillée.
17. Tenez toujours la poignée fermement.
18. Ne saisissez pas les lames de coupe exposées ou les bords tranchants pour soulever ou tenir la tondeuse.
19. Gardez mains et pieds à l'écart des lames en rotation. Attention - Les lames continuent de tourner une fois la tondeuse éteinte.
20. Cessez immédiatement l'utilisation si vous remarquez quoi que ce soit d'inhabituel. Mettez la tondeuse hors tension. Inspectez ensuite la tondeuse.
21. N'essayez jamais de régler la hauteur de coupe pendant que la tondeuse tourne si celle-ci est pourvue d'une fonction de réglage de la hauteur de coupe.
22. Libérez le levier d'interrupteur et attendez que la lame ait cessé de tourner avant de traverser une allée, un trottoir, une route ou une zone recouverte de gravier. Pensez également à éteindre la machine si vous laissez la tondeuse sans surveillance, si vous vous penchez pour ramasser ou enlever un objet qui fait obstacle, ou pour toute autre raison pouvant vous distraire de votre travail.
23. Si la tondeuse heurte un corps étranger, procédez comme suit :
 - Arrêtez la tondeuse, libérez le levier d'interrupteur et attendez que la lame ait complètement cessé de tourner.
 - Retirez la batterie.
 - Inspectez minutieusement la tondeuse pour vous assurer qu'elle n'a subi aucun dommage.
 - Si la lame est abîmée, remplacez-la. Réparez tout dégât avant de redémarrer et de continuer à utiliser la tondeuse.
24. Ne vous tenez pas devant l'ouverture de décharge pour démarrer la tondeuse.
25. Si la tondeuse se met à vibrer anormalement (vérifiez immédiatement)
 - inspectez les dommages,
 - remplacez ou réparez les pièces endommagées,
 - vérifiez et resserrez les pièces mal serrées.
26. Ne dirigez jamais le matériau déversé en direction d'une personne. Évitez de déverser le matériau contre un mur ou une obstruction. Le matériau peut ricocher en arrière en direction de l'utilisateur. Arrêtez la lame lorsque vous traversez des surfaces couvertes de gravier.
27. Ne tirez pas la tondeuse en arrière sauf en cas de nécessité absolue. Lorsque vous êtes obligé de retirer la tondeuse d'une clôture ou d'autres obstacles semblables, regardez vers le bas et l'arrière avant et pendant que vous reculez.
28. Coupez le moteur et patientez jusqu'à ce que la lame soit complètement arrêtée avant de retirer le collecteur d'herbe. Soyez conscient que la lame continue de tourner même après la mise hors tension.
29. Lorsque vous utilisez la machine sur un sol boueux, une pente trempée ou un endroit glissant, faites attention de ne pas perdre l'équilibre.
30. Ne plongez pas la machine dans une flaque.
31. Lorsque vous utilisez la machine, faites attention à la tuyauterie et au câblage.

Entretien et rangement

1. Pour votre propre sécurité, remplacez les pièces usées ou endommagées. Utilisez exclusivement des pièces de rechange et accessoires authentiques.
2. Procédez régulièrement à l'inspection et à l'entretien de la tondeuse.
3. Lorsque vous ne l'utilisez pas, rangez la tondeuse hors de portée des enfants.
4. Gardez tous les écrous, boulons et vis bien serrés pour garantir le fonctionnement sûr de l'équipement.
5. Inspectez régulièrement le bac à herbe pour vérifier l'absence d'usure ou de détérioration. Avant le rangement, assurez-vous toujours que le bac à herbe est vide. Si le bac à herbe est usé, remplacez-le par un bac de rechange neuf pour votre sécurité.
6. Utilisez exclusivement les lames authentiques du fabricant spécifiées dans ce mode d'emploi.
7. Lorsque vous réglez la tondeuse, évitez de vous coincer les doigts entre les lames en mouvement et les pièces fixes de la tondeuse.
8. Vérifiez régulièrement le boulon de montage de la lame pour vous assurer qu'il est bien serré.
9. Laissez toujours refroidir la tondeuse avant de la ranger.
10. Lors de l'entretien des lames, gardez à l'esprit qu'elles peuvent tourner même si la source d'alimentation est coupée.
11. Ne retirez ni ne modifiez jamais les dispositifs de sécurité. Vérifiez régulièrement leur bon fonctionnement. Ne faites jamais quoi que ce soit susceptible d'entraver la fonction prévue d'un dispositif de sécurité ou de réduire la protection assurée par un dispositif de sécurité.
12. Ne laissez pas la machine sans surveillance à l'extérieur sous la pluie.
13. Lorsque vous rangez la machine, évitez les endroits exposés aux rayons directs du soleil ou à la pluie, et rangez-la dans un endroit tempéré et sec.

Utilisation et entretien des outils fonctionnant sur batterie

1. Rechargez la batterie uniquement avec le chargeur spécifié par le fabricant. Un chargeur qui est adapté à un type spécifique de batterie peut présenter un risque d'incendie s'il est utilisé avec un autre type de batterie.
2. Utilisez un outil électrique uniquement avec la batterie spécifiquement indiquée. L'utilisation de toute autre batterie peut présenter un risque de blessure et d'incendie.
3. Lorsque vous n'utilisez pas la batterie, tenez-la à l'écart des objets métalliques, comme des trombones, pièces de monnaie, clés, clous, vis ou autres petits objets métalliques, susceptibles de créer une connexion entre deux bornes. Court-circuiter les bornes d'une batterie entre elles peut provoquer des brûlures ou un incendie.

4. **Dans des conditions d'utilisation inadéquate, il peut y avoir une fuite de l'électrolyte de la batterie. Le cas échéant, évitez tout contact avec ce liquide. En cas de contact accidentel, rincez à l'eau. Si le liquide pénètre dans les yeux, consultez par ailleurs un médecin.** Le liquide s'échappant de la batterie peut provoquer une irritation ou des brûlures.
5. **N'utilisez pas une batterie ou un outil s'ils sont endommagés ou modifiés.** Une batterie endommagée ou modifiée peut avoir un comportement imprévisible susceptible d'entraîner un incendie, une explosion ou des blessures.
6. **N'exposez pas la batterie ou l'outil au feu ou à une température excessive.** L'exposition au feu ou à une température supérieure à 130 °C peut provoquer une explosion.
7. **Respectez toutes les instructions de charge et ne chargez pas la batterie ou l'outil en dehors de la plage de température indiquée dans les instructions.** Une charge incorrecte ou à une température en dehors de la plage indiquée peut endommager la batterie et augmenter le risque d'incendie.

Sécurité électrique et sécurité des batteries

1. **Ne jetez pas la ou les batteries au feu.**
L'élément de la pile pourrait exploser. Consultez les codes locaux pour de possibles instructions de mise au rebut spéciales.
2. **N'ouvrez ni ne manipulez la ou les batteries.**
L'électrolyte qui s'échappe de la batterie est corrosif et peut irriter la peau ou les yeux. Il peut être toxique en cas d'ingestion.
3. **Ne chargez pas la batterie sous la pluie ou dans un endroit mouillé.**
4. **Ne pas charger la batterie à l'extérieur.**
5. **Ne manipulez pas le chargeur, y compris la fiche du chargeur et les bornes du chargeur avec les mains mouillées.**
6. **Ne remplacez pas la batterie sous la pluie.**
7. **Ne mouillez pas la borne de la batterie avec un liquide comme de l'eau, ni ne plongez la batterie dans un liquide. Ne laissez pas la batterie sous la pluie et évitez de charger, utiliser ou ranger la batterie dans un endroit humide ou mouillé.** Si la borne est mouillée ou si un liquide pénètre à l'intérieur de la batterie, un court-circuit est possible et risque de provoquer une surchauffe, un incendie ou une explosion.
8. **Après avoir retiré la batterie de la machine ou du chargeur, veillez à fixer le couvercle de batterie sur la batterie et à la ranger dans un endroit sec.**
9. **Ne remplacez pas la batterie avec les mains mouillées.**
10. **Évitez les environnements dangereux. N'utilisez pas la machine dans un endroit humide ni ne l'exposez à la pluie.** Le risque d'électrocution augmente si de l'eau pénètre dans la machine.
11. **Si la batterie est mouillée, videz l'eau à l'intérieur, puis essuyez-la avec un chiffon sec. Séchez complètement la batterie dans un endroit sec avant utilisation.**

Dépannage

1. **Confiez la réparation de votre outil électrique à un réparateur qualifié qui utilise des pièces de rechange identiques.** La sécurité de l'outil électrique sera ainsi préservée.
2. **Ne dépannez jamais les batteries endommagées.** Le dépannage des batteries doit être effectué uniquement par le fabricant ou un dépanneur agréé.

CONSERVEZ CES INSTRUCTIONS.

⚠AVERTISSEMENT : NE vous laissez PAS tromper (au fil d'une utilisation répétée) par un sentiment d'aisance et de familiarité avec le produit, en négligeant le respect rigoureux des consignes de sécurité qui accompagnent le produit en question.

La MAUVAISE UTILISATION de l'outil ou l'ignorance des consignes de sécurité indiquées dans ce mode d'emploi peut entraîner de graves blessures.

Consignes de sécurité importantes pour la batterie

1. **Avant d'utiliser la batterie, lisez toutes les instructions et précautions relatives (1) au chargeur de batterie, (2) à la batterie, et (3) au produit utilisant la batterie.**
2. **Ne désassemblez pas et ne modifiez pas la batterie.** Cela pourrait entraîner un incendie, une chaleur excessive ou une explosion.
3. **Cessez immédiatement l'utilisation si le temps de fonctionnement devient excessivement court.** Il y a un risque de surchauffe, de brûlures, voire d'explosion.
4. **Si l'électrolyte pénètre dans vos yeux, rincez-les à l'eau claire et consultez immédiatement un médecin.** Il y a un risque de perte de la vue.
5. **Ne court-circuitez pas la batterie :**
 - (1) **Ne touchez les bornes avec aucun matériau conducteur.**
 - (2) **Évitez de ranger la batterie dans un conteneur avec d'autres objets métalliques, par exemple des clous, des pièces de monnaie, etc.**
 - (3) **N'exposez pas la batterie à l'eau ou à la pluie.**

Un court-circuit de la batterie peut provoquer une intensité de courant élevée, une surchauffe, parfois des brûlures et même une panne.
6. **Ne rangez ni n'utilisez l'outil et la batterie dans un endroit où la température risque d'atteindre ou de dépasser 50 °C.**
7. **Ne jetez pas la batterie au feu même si elle est sérieusement endommagée ou complètement épuisée.** La batterie peut exploser au contact du feu.
8. **Abstenez-vous de clouer, couper, écraser, jeter, laisser tomber la batterie, ou de la heurter contre un objet dur.** Cela pourrait entraîner un incendie, une chaleur excessive ou une explosion.

9. **N'utilisez pas la batterie si elle est endommagée.**
10. **Les batteries au lithium-ion contenues sont soumises aux exigences de la législation sur les marchandises dangereuses.**
Lors du transport commercial par des tierces parties ou des transitaires par exemple, des exigences spécifiques en matière d'étiquetage et d'emballage doivent être respectées.
Pour la préparation de l'article expédié, il est nécessaire de consulter un expert en matériau dangereux. Veuillez également respecter les réglementations nationales susceptibles d'être plus détaillées.
Recouvrez les contacts exposés avec du ruban adhésif ou du ruban de masquage et emballez la batterie de telle sorte qu'elle ne puisse pas bouger dans l'emballage.
11. **Lors de la mise au rebut de la batterie, retirez-la de l'outil et jetez-la en lieu sûr. Suivez les réglementations locales en matière de mise au rebut des batteries.**
12. **Utilisez les batteries uniquement avec les produits spécifiés par Makita.** L'insertion de batteries dans des produits non conformes peut provoquer un incendie, une chaleur excessive, une explosion ou une fuite de l'électrolyte.
13. **Lorsque vous n'utilisez pas l'outil pendant une période prolongée, la batterie doit être retirée de l'outil.**
14. **Pendant et après l'utilisation, la batterie peut chauffer, ce qui peut entraîner des brûlures, y compris en cas de température relativement basse. Manipulez les batteries chaudes avec précaution.**
15. **Ne touchez pas la borne de l'outil immédiatement après utilisation car elle peut être assez chaude pour provoquer des brûlures.**
16. **Évitez que des copeaux, de la poussière ou du sol adhèrent aux bornes, aux trous et aux rainures de la batterie.** Cela peut provoquer un échauffement, un incendie, une explosion ou un dysfonctionnement de l'outil ou de la batterie, ce qui peut entraîner des brûlures ou des blessures.
17. **À moins que l'outil prenne en charge un tel usage, n'utilisez pas la batterie à proximité de lignes électriques haute tension.** Cela pourrait entraîner un dysfonctionnement ou casser l'outil ou la batterie.
18. **Conservez la batterie hors de portée des enfants.**

CONSERVEZ CES INSTRUCTIONS.

⚠ ATTENTION : N'utilisez que des batteries Makita d'origine. L'utilisation de batteries de marque autre que Makita ou de batteries modifiées peut provoquer l'explosion des batteries, ce qui présente un risque d'incendie, de dommages matériels et corporels. Cela annulera également la garantie Makita pour l'outil et le chargeur Makita.

Conseils pour assurer la durée de vie optimale de la batterie

1. **Chargez la batterie avant qu'elle ne soit complètement déchargée. Arrêtez toujours l'outil et rechargez la batterie quand vous remarquez que la puissance de l'outil diminue.**
2. **Ne rechargez jamais une batterie complètement chargée. La surcharge réduit la durée de service de la batterie.**
3. **Chargez la batterie à une température ambiante comprise entre 10 °C et 40 °C. Avant de charger une batterie chaude, laissez-la refroidir.**
4. **Lorsque vous n'utilisez pas la batterie, retirez-la de l'outil ou du chargeur.**
5. **Rechargez la batterie si elle est restée inutilisée pendant une période prolongée (plus de six mois).**

ASSEMBLAGE

⚠ AVERTISSEMENT : Assurez-vous toujours que toutes les batteries sont retirées avant toute intervention sur la machine. En ne retirant pas toutes les batteries, vous risqueriez de vous blesser grièvement en cas de démarrage accidentel.

⚠ AVERTISSEMENT : Ne démarrez la tondeuse que si ses pièces sont toutes montées. En utilisant une machine alors que ses pièces ne sont pas toutes montées, vous risqueriez de vous blesser grièvement en cas de démarrage accidentel.

Installation de la poignée

REMARQUE : Lors de l'installation des poignées, veillez à ne pas pincer le cordon entre les poignées. Si le cordon est endommagé, l'interrupteur de la tondeuse peut ne pas fonctionner.

1. Alignez le trou sur la poignée inférieure avec le trou sur la poignée supérieure, insérez le boulon de l'extérieur, puis serrez l'écrou moleté de l'intérieur. Répétez la même procédure de l'autre côté.
► **Fig.1:** 1. Boulon 2. Écrou moleté 3. Poignée inférieure 4. Poignée supérieure
2. Tournez le bouton de serrage de 90° tout en tirant sur le bouton de la poignée inférieure pour libérer la goupille de sécurité. Répétez la même procédure de l'autre côté. Soulevez la poignée, puis tournez le bouton de serrage des deux côtés de 90°. Assurez-vous que tous les boutons de serrage sont solidement fixés.
► **Fig.2:** 1. Bouton de serrage

NOTE : Soutenir la poignée facilite la libération de la goupille de sécurité lorsque vous tirez sur le bouton.

NOTE : Lorsque vous tournez le bouton, prenez soin de ne pas coincer le cordon dans le bouton.

- **Fig.3:** 1. Bouton de serrage

Retrait de l'insert broyeur

1. Ouvrez le couvercle arrière.
► **Fig.4:** 1. Couvercle arrière
2. Soulevez légèrement l'insert broyeur, puis retirez-le.
► **Fig.5:** 1. Insert broyeur

Assemblage du bac à herbe

1. Saisissez la pince supérieure du bac à herbe.
▶ **Fig.6:** 1. Pince supérieure
2. Insérez le cadre dans le bac à herbe aussi loin que possible tout en maintenant la poignée du cadre.
▶ **Fig.7:** 1. Poignée

REMARQUE : N'insérez pas la poignée dans le bac à herbe. Vous devez insérer le cadre le long de la couture du bac à herbe.

3. Assurez-vous que les coins du bac à herbe ne s'affaissent pas.
▶ **Fig.8**
4. Ouvrez la pince supérieure et fixez-la au cadre.
▶ **Fig.9**
5. Fixez toutes les autres pinces comme illustré sur la figure. Vérifiez que toutes les pinces sont bien fixées au cadre.
▶ **Fig.10:** 1. Pince

Installation ou retrait du bac à herbe

Suivez les étapes ci-dessous pour installer le bac à herbe.

1. Ouvrez le couvercle arrière.
▶ **Fig.11:** 1. Couvercle arrière
2. Tenez la poignée du bac à herbe, puis accrochez le bac à herbe sur la tige du corps de la tondeuse comme illustré sur la figure.
▶ **Fig.12:** 1. Bac à herbe 2. Poignée 3. Tige

Pour retirer le bac à herbe, ouvrez le couvercle arrière, puis retirez le bac à herbe en tenant la poignée.

Fixation de l'insert broyeur

1. Ouvrez le couvercle arrière, puis retirez le bac à herbe.
▶ **Fig.13:** 1. Couvercle arrière 2. Bac à herbe
2. Fixez l'insert broyeur en le poussant à fond de sorte que ses parties saillantes s'insèrent dans les trous de la machine.
▶ **Fig.14:** 1. Insert broyeur 2. Partie saillante

Pose ou dépose de la goulotte d'éjection

Suivez les étapes ci-dessous pour installer la goulotte d'éjection.

1. Ouvrez le couvercle arrière, puis retirez le bac à herbe et l'insert broyeur.
2. Accrochez les trous sur la goulotte d'éjection aux parties saillantes sur le corps de la tondeuse comme illustré sur la figure.
▶ **Fig.15:** 1. Goulotte d'éjection 2. Partie saillante

Pour retirer la goulotte d'éjection, ouvrez le couvercle arrière, puis retirez la goulotte d'éjection.

DESCRIPTION DU FONCTIONNEMENT

Insertion ou retrait de la batterie

⚠ATTENTION : Éteignez toujours la machine avant de mettre en place ou de retirer la batterie.

⚠ATTENTION : Tenez fermement la machine et la batterie lors de la mise en place ou du retrait de la batterie. Si vous ne tenez pas fermement la machine et la batterie, elles peuvent vous glisser des mains, et s'abîmer ou vous blesser.

⚠ATTENTION : Veillez à verrouiller le couvercle de batterie avant toute utilisation. Autrement, la boue, les saletés ou l'eau risquent d'endommager le produit ou la batterie.

⚠ATTENTION : Insérez toujours la batterie à fond, jusqu'à ce que le voyant rouge ne soit plus visible. Sinon, elle risque de tomber accidentellement de la machine, ce qui peut blesser l'utilisateur ou une autre personne.

⚠ATTENTION : Ne forcez pas pour insérer la batterie. Si elle ne glisse pas facilement, c'est que vous ne l'insérez pas correctement.

⚠ATTENTION : Tenez fermement le couvercle de batterie lors de la mise en place ou du retrait de la batterie.

Pour mettre la batterie en place ;

1. Tirez le levier de verrouillage vers le haut, puis ouvrez le couvercle de batterie.
▶ **Fig.16:** 1. Couvercle de batterie 2. Levier de verrouillage
2. Alignez la languette de la batterie sur la fente de la machine, puis faites glisser la batterie jusqu'à ce qu'elle se verrouille en place (vous devez entendre un léger déclic).
▶ **Fig.17:** 1. Batterie
3. Fermez le couvercle de batterie et appuyez dessus jusqu'à ce qu'il soit verrouillé par le levier de verrouillage.

Pour retirer la batterie :

1. Tirez le levier de verrouillage vers le haut et ouvrez le couvercle de batterie.
2. Retirez la batterie de la machine en faisant glisser le bouton à l'avant de la batterie.
3. Fermez le couvercle de batterie.

Système de protection de la machine/batterie

La machine est dotée d'un système de protection de la machine/batterie. Ce système met automatiquement hors tension le moteur pour accroître l'autonomie de la machine et de la batterie. Si la machine ou la batterie se trouve dans l'une des situations suivantes, la machine cessera automatiquement de fonctionner :

Protection contre la surcharge

Lorsque le mode d'utilisation de la batterie entraîne un appel de courant anormalement élevé, la machine s'arrête automatiquement et le témoin d'alimentation principale clignote en vert. Dans ce cas, éteignez la machine et arrêtez la tâche ayant provoqué sa surcharge. Puis rallumez la machine pour reprendre la tâche.

Protection contre la surchauffe

En cas de surchauffe de la machine, la machine s'arrête automatiquement et le témoin d'alimentation principale s'allume en rouge. Dans ce cas, laissez la machine et les batteries refroidir avant de rallumer la machine.

NOTE : Lorsque la batterie surchauffe, le témoin d'alimentation principale clignote en rouge.

Protection contre la décharge totale de la batterie

Si la charge de la batterie est insuffisante, la machine s'arrête automatiquement et le témoin d'alimentation principale clignote en rouge. Dans ce cas, retirez la batterie de la machine et chargez-la, ou bien remplacez la batterie par une batterie complètement chargée.

Protections contre d'autres causes

Le système de protection est également conçu pour d'autres causes qui pourraient endommager la machine et lui permet de s'arrêter automatiquement. Suivez toutes les étapes ci-dessous pour éliminer les causes, lorsque la machine a été arrêtée provisoirement ou a cessé de fonctionner.

1. Éteignez la machine, puis rallumez-la pour la redémarrer.
2. Chargez la ou les batteries ou remplacez-les par des batteries rechargées.
3. Laissez la machine et la ou les batteries refroidir.

En l'absence d'amélioration après avoir rétabli le système de protection, contactez votre centre de service Makita local.

REMARQUE : Si la machine s'arrête en raison d'une cause non décrite ci-dessus, reportez-vous à la section de dépannage.

Indication de la charge restante de la batterie

► **Fig.18:** 1. Témoin de la batterie

Lorsque l'autonomie restante de la batterie diminue, le témoin de la batterie clignote du côté batterie correspondant. Si vous continuez à utiliser la machine, elle s'arrête et le témoin de la batterie s'allume. Dans ce cas, rechargez la batterie.

NOTE : Si deux batteries sont installées, celle installée à gauche est utilisée en premier.

NOTE : Si deux batteries sont installées, la machine change automatiquement de batterie lorsque celle qui est utilisée est épuisée.

Indication de la charge restante de la batterie

Appuyez sur le bouton de vérification sur la batterie pour indiquer la charge restante de la batterie. Les témoins s'allument pendant quelques secondes.

► **Fig.19:** 1. Témoins 2. Bouton de vérification

Témoins			Charge restante
Allumé	Éteint	Clignotant	
■ ■ ■ ■	□ □ □ □	□ □ □ □	75 % à 100 %
■ ■ ■ □	□ □ □ □	□ □ □ □	50 % à 75 %
■ ■ □ □	□ □ □ □	□ □ □ □	25 % à 50 %
■ □ □ □	□ □ □ □	□ □ □ □	0 % à 25 %
▣ □ □ □	□ □ □ □	□ □ □ □	Chargez la batterie.
■ ■ □ □	□ □ □ □	□ □ □ □	Anomalie possible de la batterie.
□ □ ■ ■	□ □ □ □	□ □ □ □	

NOTE : Selon les conditions d'utilisation et la température ambiante, l'indication peut être légèrement différente de la capacité réelle.

NOTE : Le premier témoin (complètement à gauche) clignotera pendant le fonctionnement du système de protection de la batterie.

Tableau de commande

Le tableau de commande comporte l'interrupteur d'alimentation principale et le bouton de changement de mode.

► **Fig.20:** 1. Témoin du mode à vide faible 2. Témoin du mode de réduction du bruit 3. Bouton de changement de mode 4. Témoin d'alimentation principale 5. Interrupteur d'alimentation principale

Interrupteur d'alimentation principale

AVERTISSEMENT : Mettez toujours l'interrupteur principal en position d'arrêt lorsque vous n'utilisez pas l'outil.

Pour allumer la machine, appuyez sur l'interrupteur d'alimentation principale. Le témoin d'alimentation principale s'allume en vert. Pour éteindre la machine, appuyez à nouveau sur l'interrupteur d'alimentation principale.

NOTE : Si le témoin d'alimentation principale s'allume en rouge ou clignote en rouge ou en vert, consultez les instructions du système de protection de la machine/batterie.

NOTE : Cette machine dispose d'une fonction de mise hors tension automatique. Pour éviter tout démarrage intempestif, l'interrupteur d'alimentation principale effectue automatiquement une mise hors tension lorsque le levier d'interrupteur et le levier de conduite (le cas échéant) ne sont pas enclenchés pendant un certain temps après actionnement de l'interrupteur d'alimentation principale.

Bouton de changement de mode

Vous pouvez changer le mode de fonctionnement en appuyant sur le bouton de changement de mode. Lorsque la machine est mise sous tension, elle démarre en mode normal. Reportez-vous au tableau ci-dessous pour chaque mode.

Mode	Témoin	Description
Mode normal	Le témoin du mode à vide faible et le témoin du mode de réduction du bruit sont tous deux éteints.	La machine fonctionne en mode normal.
Mode à vide faible	Le témoin du mode à vide faible s'allume en vert.	Vous pouvez minimiser le choc au démarrage et démarrez la machine en douceur.
Mode de réduction du bruit	Le témoin du mode de réduction du bruit s'allume en vert.	Vous pouvez diminuer le bruit pendant la tonte.

Fonctionnement de la gâchette

⚠ AVERTISSEMENT : Avant de mettre la batterie en place, vérifiez toujours que le levier d'interrupteur fonctionne correctement et revient en position initiale une fois libéré. L'utilisation de la machine alors que l'interrupteur est défectueux comporte un risque de perte de contrôle et de graves blessures.

NOTE : Même si vous tirez sur le levier d'interrupteur, la tondeuse ne démarre pas si vous n'appuyez pas sur le bouton d'interrupteur.

NOTE : La tondeuse peut ne pas démarrer en raison d'une surcharge si vous essayez de tondre de l'herbe haute ou dense en une fois. Augmentez la hauteur de tonte dans ce cas.

Cette machine est équipée d'un bouton d'interrupteur. Si vous constatez une anomalie sur le bouton d'interrupteur, cessez immédiatement l'utilisation et faites-le vérifier par le centre de service après-vente Makita agréé le plus proche.

1. Installez les batteries, puis refermez le couvercle de batterie.
2. Appuyez sur l'interrupteur d'alimentation principale.

NOTE : Le témoin d'alimentation principale clignote en vert si vous appuyez sur l'interrupteur d'alimentation principale tout en tirant sur le levier d'interrupteur. Relâchez le levier d'interrupteur avant d'appuyer sur l'interrupteur d'alimentation principale.

3. Tirez le levier d'interrupteur vers vous tout en maintenant enfoncé le bouton d'interrupteur. Libérez le bouton d'interrupteur lorsque le moteur se met à tourner.

► **Fig.21:** 1. Bouton d'interrupteur 2. Levier d'interrupteur

4. Tout en tenant le levier d'interrupteur, poussez le levier de conduite vers l'avant et tenez-le pour activer les roues arrière.

► **Fig.22:** 1. Levier de conduite

NOTE : Vous pouvez activer les roues arrière en poussant le levier de conduite vers l'avant et le tenir sans enclencher le levier d'interrupteur.

5. Libérez le levier de conduite et le levier d'interrupteur pour arrêter la machine.

Réglage de la hauteur de tonte

⚠ AVERTISSEMENT : Ne mettez jamais une main ou une jambe sous la tondeuse pendant que vous réglez la hauteur de tonte.

⚠ AVERTISSEMENT : Avant l'utilisation, assurez-vous toujours que le levier se loge bien dans la rainure.

La hauteur de tonte est réglable dans une plage comprise entre 20 mm et 100 mm.

Éteignez la machine, puis tirez sur le levier de réglage de la hauteur de tonte vers l'extérieur du corps de la tondeuse et déplacez-le sur la hauteur de tonte souhaitée.

► **Fig.23:** 1. Levier de réglage de la hauteur de tonte

Le tableau ci-dessous indique le rapport entre le numéro sur le corps de la tondeuse et la hauteur de tonte approximative.

Numéro	Hauteur de tonte
1	20 mm
2	26 mm
3	32 mm
4	39 mm
5	47 mm
6	55 mm
7	63 mm
8	74 mm
9	86 mm
10	100 mm

Tenez la poignée inférieure d'une main, puis déplacez le levier de réglage de la hauteur de tonte de l'autre.

► **Fig.24:** 1. Levier de réglage de la hauteur de tonte 2. Poignée inférieure

NOTE : Les chiffres de la hauteur de tonte doivent être utilisés à titre indicatif. Selon l'état de la pelouse ou du sol, la hauteur réelle du gazon peut être légèrement différente de la hauteur définie.

NOTE : Faites un essai de tonte en un point peu visible pour vérifier si vous obtenez la hauteur de tonte désirée.

Témoin de niveau d'herbe

Le témoin de niveau d'herbe indique le volume d'herbe tondue. Lorsque le bac à herbe n'est pas plein, l'indicateur flotte pendant que les lames tournent.

► **Fig.25:** 1. Témoin de niveau d'herbe

Lorsque le bac à herbe est presque plein, l'indicateur ne flotte pas pendant que les lames tournent. Dans ce cas, cessez immédiatement d'utiliser la machine et videz le bac.

► **Fig.26:** 1. Témoin de niveau d'herbe

NOTE : Le témoin donne une indication approximative. Suivant les conditions à l'intérieur du bac, il se peut que le témoin ne fonctionne pas correctement.

Réglage de la hauteur de la poignée

La hauteur de la poignée peut être réglée selon deux niveaux.

1. Tenez la poignée inférieure, puis tournez le bouton de serrage de 90° tout en tirant sur le bouton sur la poignée inférieure pour libérer la goupille de sécurité. Répétez la même procédure de l'autre côté.

► **Fig.27:** 1. Poignée inférieure 2. Bouton de serrage

NOTE : Soutenir la poignée facilite la libération de la goupille de sécurité lorsque vous tirez sur le bouton.

2. Ajustez la hauteur de la poignée, puis tournez le bouton de serrage des deux côtés de 90°. Assurez-vous que tous les boutons de serrage sont solidement fixés.

► **Fig.28:** 1. Bouton de serrage

Réglage de la vitesse de déplacement

► **Fig.29:** 1. Levier de vitesse

La vitesse de déplacement peut être réglée avec le levier de vitesse. Pour diminuer la vitesse, tirez le levier vers vous, tandis que pour l'augmenter, tournez le levier vers l'avant.

Utilisation de l'insert broyeur

L'insert broyeur vous permet d'évacuer l'herbe coupée au sol sans la collecter dans le bac à herbe. Lorsque vous utilisez la machine avec l'insert broyeur, veillez à retirer le bac à herbe ou la goulotte d'éjection.

REMARQUE : Lors de l'utilisation de la machine avec l'insert broyeur, assurez-vous que la hauteur totale de l'herbe après la coupe est de 30 mm ou plus, et que la longueur de coupe est de 15 mm ou moins.

► **Fig.30:** (1) 30 mm ou plus (2) 15 mm ou moins

Utilisation de la goulotte d'éjection

La goulotte d'éjection vous permet d'évacuer l'herbe coupée au sol par le côté droit de la machine sans la collecter dans le bac à herbe. Lorsque vous utilisez la machine avec la goulotte d'éjection, veillez à retirer le bac à herbe et l'insert broyeur.

Utilisation de l'évacuation arrière

L'utilisation de l'évacuation arrière vous permet d'évacuer l'herbe coupée au sol par le côté arrière de la machine sans la collecter dans le bac à herbe.

Lorsque vous utilisez la machine avec l'évacuation arrière, veillez à retirer l'insert broyeur et le bac à herbe ou la goulotte d'éjection, et à refermer le couvercle arrière.

Fonction électronique

La machine est munie de fonctions électroniques pour faciliter l'utilisation.

- Démarrage en douceur
La fonction de démarrage en douceur minimise le choc au démarrage et permet de démarrer la machine en douceur.
- Frein électrique
Cette machine est équipée d'un frein électrique. Si systématiquement la machine n'arrive pas à arrêter rapidement les lames de tondeuse après le relâchement du levier d'interrupteur, faites réparer la machine dans un centre de service après-vente Makita agréé.

UTILISATION

Tonte

⚠AVERTISSEMENT : Avant de commencer à tondre, enlevez les bouts de bois et les cailloux de la zone à tondre. Enlevez également les mauvaises herbes au préalable de la zone à tondre.

⚠AVERTISSEMENT : Lorsque vous utilisez la tondeuse, portez toujours des lunettes de sécurité ou lunettes à coques à écrans latéraux.

⚠ATTENTION : Si de l'herbe coupée ou un objet étranger se coince dans le corps de la tondeuse, veillez à retirer les batteries, et à porter des gants avant de retirer l'herbe ou l'objet étranger.

REMARQUE : Utilisez cette machine exclusivement pour tondre la pelouse. N'utilisez pas cette machine pour couper des mauvaises herbes.

► **Fig.31**

Pendant la tonte, tenez fermement la poignée à deux mains. La vitesse de tonte indicative est d'environ 7 à 14 mètres toutes les 10 secondes.

► **Fig.32**

NOTE : Lorsque vous coupez une pelouse haute ou dense, si vous remarquez que la longueur de la pelouse est inégale ou que le résultat final est médiocre après avoir tondu, ou bien que la vitesse du moteur diminue pendant la tonte, réduisez la vitesse de tonte par rapport à celle recommandée dans ce manuel ou augmentez la hauteur de tonte.

Les lignes de centrage des roues avant donnent une indication de la largeur de tonte. En utilisant les lignes de centrage à titre indicatif, tondez en bandes. Chevauchez la bande précédente de la moitié à un tiers, afin de tondre la pelouse uniformément.

► **Fig.33:** 1. Largeur de tonte 2. Surface de chevauchement 3. Ligne de centrage

Changez chaque fois le sens de la tonte pour éviter que le motif de l'herbe ne se forme que dans un sens.

► **Fig.34**

Vérifiez régulièrement l'herbe tondue dans le bac à herbe. Videz le bac à herbe avant qu'il ne soit plein. Avant chaque vérification périodique, veillez à arrêter et à éteindre la machine.

REMARQUE : Si vous continuez d'utiliser la tondeuse alors que le bac à herbe est plein, la lame ne pourra pas tourner librement et le moteur sera surchargé, ce qui comporte un risque de panne.

Tonte de pelouse haute

N'essayez pas de couper la pelouse haute en une fois. Tondez plutôt la pelouse par étapes. Espacez les tontes d'un jour ou deux, jusqu'à ce que la pelouse soit uniformément courte.

► **Fig.35**

NOTE : Si vous tondez la pelouse haute très court en une fois, elle risque de mourir. La pelouse coupée peut également bloquer le mécanisme interne de la tondeuse.

NOTE : Si vous remarquez que la longueur de la pelouse est inégale ou que le résultat final est médiocre après avoir tondu, ou bien que la vitesse du moteur diminue pendant la tonte, réduisez la vitesse de tonte ou augmentez la hauteur de tonte.

Vidange du bac à herbe

AVERTISSEMENT : Pour réduire les risques d'accident, assurez-vous régulièrement que le bac à herbe n'est pas endommagé ou affaibli. Remplacez le bac à herbe au besoin.

1. Libérez le levier d'interrupteur et le levier de conduite.
 2. Éteignez la machine.
 3. Ouvrez le couvercle arrière et retirez le bac à herbe en tenant la poignée.
- **Fig.36:** 1. Couvercle arrière 2. Poignée 3. Bac à herbe
4. Videz le bac à herbe.

ENTRETIEN

AVERTISSEMENT : Assurez-vous toujours que toutes les batteries sont retirées de la machine avant de la ranger, de la transporter ou d'en faire l'inspection ou l'entretien.

AVERTISSEMENT : Portez des gants lorsque vous effectuez l'inspection ou l'entretien.

AVERTISSEMENT : Portez toujours des lunettes de sécurité ou lunettes à coques à écrans latéraux lorsque vous procédez à l'inspection ou l'entretien de la machine.

REMARQUE : N'utilisez jamais d'essence, benzine, diluant, alcool ou autre produit similaire. Cela risquerait de provoquer la décoloration, la déformation ou la fissuration de l'outil.

Pour assurer la SÉCURITÉ et la FIABILITÉ du produit, toute réparation, tout travail d'entretien ou de réglage doivent être effectués par un centre d'entretien Makita agréé, avec des pièces de rechange Makita.

Entretien

1. Retirez toutes les batteries, puis refermez le couvercle de batterie.
2. Basculez la tondeuse sur le côté. Enlevez l'herbe coupée accumulée sous le plateau de la tondeuse.
3. Versez l'eau vers la partie inférieure de la machine sur laquelle la lame est fixée.

REMARQUE : Ne lavez pas la machine avec de l'eau sous pression.

4. Assurez-vous que les écrous, boulons, vis et autres sont bien serrés.
5. Vérifiez l'absence de dommages, de bris et d'usure sur les pièces mobiles. Les pièces endommagées ou manquantes doivent être réparées ou remplacées.
6. Rangez la tondeuse en lieu sûr, hors de portée des enfants.

REMARQUE : Ne versez pas d'eau sur la zone comme illustré sur la figure. Verser de l'eau dans l'ensemble moteur peut provoquer un dysfonctionnement de la machine.

► **Fig.37:** 1. Zone où l'eau ne doit pas être versée

REMARQUE : Ne versez pas d'eau sur la machine lorsque celle-ci est placée à la verticale comme illustré sur la figure. Si la machine est placée à la verticale, de l'eau peut s'infiltrer dans le moteur et provoquer un dysfonctionnement de la machine.

► **Fig.38**

Transport de la tondeuse

⚠ ATTENTION : Avant de transporter la tondeuse, assurez-vous que toutes les batteries sont retirées.

Lorsque vous transportez la tondeuse, tenez à deux la poignée arrière et la partie de soutien inférieure sur le devant de la machine comme illustré sur la figure.

► **Fig.39:** 1. Partie de soutien inférieure 2. Poignée arrière

Stockage

⚠ ATTENTION : Lorsque vous placez la machine à la verticale, posez-la sur une surface plane et stable. Si la machine est placée sur une surface instable, elle risque de tomber et de provoquer des blessures.

Rangez la tondeuse à l'intérieur, dans un endroit frais, sec et verrouillé. Ne rangez pas la tondeuse et le chargeur dans un endroit où la température peut atteindre ou dépasser 40 °C.

1. Retirez toutes les batteries.
 2. Tournez le bouton de serrage de 90° tout en tirant sur le bouton de la poignée inférieure pour libérer la goupille de sécurité. Répétez la même procédure de l'autre côté, puis pliez la poignée.
- **Fig.40:** 1. Bouton de serrage

NOTE : Soutenir la poignée facilite la libération de la goupille de sécurité lorsque vous tirez sur le bouton.

3. Tournez le bouton de serrage des deux côtés de 90°. Assurez-vous que tous les boutons de serrage sont solidement fixés.
- **Fig.41:** 1. Bouton de serrage

REMARQUE : Veillez à ne pas pincer les cordons, lorsque vous pliez la poignée.

4. Desserrez les écrous moletés des deux côtés, puis pliez la poignée supérieure comme illustré sur la figure.

► **Fig.42:** 1. Écrou moleté 2. Poignée supérieure

5. Placez la machine à la verticale.

NOTE : Lorsque vous placez la tondeuse à la verticale, ne tenez pas uniquement la poignée, mais tenez le corps de la tondeuse et la poignée.

6. Rangez le bac à herbe comme illustré sur la figure.

► **Fig.43:** 1. Bac à herbe

► **Fig.44:** 1. Bac à herbe

Pose ou dépose de la lame de tondeuse

⚠ AVERTISSEMENT : La lame continue de tourner pendant quelques secondes après la libération de l'interrupteur. Ne démarrez aucune opération tant que la lame n'est pas complètement arrêtée.

⚠ AVERTISSEMENT : Avant de déposer ou de poser la lame, retirez toujours toutes les batteries. Vous risquez une grave blessure si vous ne retirez pas toutes les batteries.

⚠ AVERTISSEMENT : Portez toujours des gants pour manipuler la lame.

REMARQUE : Lorsque vous déposez ou posez la lame de tondeuse, utilisez la clé à œil incluse dans l'emballage de la machine.

Retrait de la lame de tondeuse

1. Basculez la tondeuse sur le côté pour que le levier de réglage de la hauteur de tonte se place sur le dessus.
 2. Pour verrouiller la lame, insérez la broche dans un trou sur le corps de la tondeuse aussi loin que possible.
 3. Tournez le boulon dans le sens inverse des aiguilles d'une montre avec la clé à œil 17.
- **Fig.45:** 1. Lame de tondeuse 2. Broche 3. Clé à œil
4. Retirez le boulon, puis la lame de tondeuse.
- **Fig.46:** 1. Support de lame 2. Lame de tondeuse 3. Boulon 4. Partie saillante

REMARQUE : Lorsque vous installez la lame de tondeuse, assurez-vous que les parties saillantes sur le support de lame s'insèrent dans les trous sur la lame de tondeuse.

Mise en place de la lame de tondeuse

⚠ AVERTISSEMENT : Installez la lame de tondeuse soigneusement. Elle présente une face supérieure et une face inférieure.

⚠ AVERTISSEMENT : Pour fixer la lame, serrez fermement le boulon en tournant dans le sens des aiguilles d'une montre.

⚠ AVERTISSEMENT : Assurez-vous que la lame de tondeuse et toutes les pièces de fixation sont correctement installées et solidement serrées.

⚠ AVERTISSEMENT : Lorsque vous remplacez les lames, suivez toujours les instructions fournies dans ce mode d'emploi.

REMARQUE : Après avoir installé les lames de tondeuse, retirez la broche du corps de la tondeuse.

REMARQUE : Lorsque vous serrez le boulon pour poser la lame de tondeuse, appliquez un couple de serrage de 19 à 29 N·m (les valeurs sont fournies à titre indicatif uniquement).

Pour installer les lames de tondeuse, réalisez la procédure de dépose en sens inverse.

GUIDE DE DÉPANNAGE

Avant de faire une demande de réparation, effectuez d'abord vous-même une inspection. Si vous rencontrez un problème non documenté dans le mode d'emploi, n'essayez pas de démonter la machine. Demandez plutôt à un centre de service après-vente Makita agréé d'effectuer la réparation au moyen de pièces de rechange Makita.

État d'anomalie	Cause probable (dysfonctionnement)	Solution
La tondeuse ne démarre pas.	La batterie n'est pas installée.	Installez une batterie chargée.
	Problème de batterie (tension insuffisante)	Rechargez la batterie. Si vous n'arrivez pas à recharger la batterie, remplacez-la.
Le moteur s'arrête au bout d'un court moment.	La charge de la batterie est faible.	Rechargez la batterie. Si vous n'arrivez pas à recharger la batterie, remplacez-la.
	La hauteur de coupe est trop basse.	Augmentez la hauteur de coupe.
	L'herbe coupée bouche la tondeuse.	Retirez l'herbe qui bouche la tondeuse.
Le moteur ne tourne pas à plein régime.	La batterie n'est pas bien installée.	Suivez les instructions de ce mode d'emploi pour installer la batterie.
	La batterie faiblit.	Rechargez la batterie. Si vous n'arrivez pas à recharger la batterie, remplacez-la.
	Le mécanisme d'entraînement ne fonctionne pas bien.	Demandez à votre centre de service après-vente agréé d'effectuer la réparation.
La lame de tondeuse ne tourne pas : ⇒ arrêtez immédiatement la tondeuse !	Un corps étranger, tel qu'une branche, est coincé près de la lame.	Retirez le corps étranger.
	Le mécanisme d'entraînement ne fonctionne pas bien.	Demandez à votre centre de service après-vente agréé d'effectuer la réparation.
Vibrations anormales : ⇒ arrêtez immédiatement la tondeuse !	La lame est déséquilibrée, trop usée ou usée de manière inégale.	Remplacez la lame.

ACCESSOIRES EN OPTION

⚠ ATTENTION : Ces accessoires ou pièces complémentaires sont recommandés pour l'utilisation avec la machine Makita spécifiée dans ce manuel. L'utilisation de tout autre accessoire peut présenter un risque de blessure. N'utilisez un accessoire que pour son usage prévu.

Pour obtenir plus de détails sur ces accessoires, contactez votre centre d'entretien local Makita.

- Lame de tondeuse
- Batterie et chargeur de marque Makita

NOTE : Il se peut que certains éléments de la liste soient compris dans l'emballage du produit en tant qu'accessoires standard. Ils peuvent varier d'un pays à l'autre.

TECHNISCHE DATEN

Modell:		LM001G	LM002G
Mähbreite (Messerdurchmesser)		480 mm	534 mm
Leerlaufdrehzahl	Normalmodus	3.200 min ⁻¹	2.800 min ⁻¹
	Nulllast-Sanftmodus	2.500 - 3.200 min ⁻¹	2.300 - 2.800 min ⁻¹
	Geräuschreduzierungsmodus	2.500 min ⁻¹	2.300 min ⁻¹
Teilenummer des Ersatz-Mähmessers	Gerades Mähmesser	191V97-3	191V96-5
	Gerades Mähmesser *1	-	191W87-2
	Mulchmesser	191Y64-6	191Y65-4
Abmessungen (L x B x H)	während des Betriebs	L: 1.670 mm bis 1.745 mm B: 550 mm H: 965 mm bis 1.075 mm	L: 1.740 mm bis 1.810 mm B: 595 mm H: 970 mm bis 1.080 mm
	bei Lagerung (ohne Graskorb)	585 mm x 550 mm x 900 mm	580 mm x 595 mm x 930 mm
Fahrgeschwindigkeit		1,5 - 5,0 km/h	
Nennspannung		36 V - 40 V Gleichstrom	
Nettogewicht		28,0 - 33,0 kg	29,3 - 34,5 kg
Schutzgrad		IPX4	

*1. Mähmesser für effizienteres Aufsammeln von Gras.

- Wir behalten uns vor, Änderungen der technischen Daten im Zuge der Entwicklung und des technischen Fortschritts ohne vorherige Ankündigung vorzunehmen.
- Die technischen Daten können von Land zu Land unterschiedlich sein.
- Das Gewicht kann abhängig von dem Aufsatz (den Aufsätzen), einschließlich des Akkus, unterschiedlich sein. Die leichteste und die schwerste Kombination, gemäß dem EPTA-Verfahren 01/2014, sind in der Tabelle angegeben.

Zutreffende Akkus und Ladegeräte

Akku	BL4020 / BL4025 / BL4040* / BL4040F* / BL4050F* / BL4080F* *: Empfohlener Akku
Ladegerät	DC40RA / DC40RB / DC40RC / DC40WA




- Einige der oben aufgelisteten Akkus und Ladegeräte sind je nach Ihrem Wohngebiet eventuell nicht erhältlich.

⚠️ WARNUNG: Verwenden Sie nur die oben aufgeführten Akkus und Ladegeräte. Bei Verwendung irgendwelcher anderer Akkus und Ladegeräte besteht Verletzungs- und/oder Brandgefahr.

⚠️ WARNUNG: Verwenden Sie keine verkabelte Stromversorgung, wie z. B. einen Akku-Adapter oder eine rückentragbare Akku-Bank, mit dieser Maschine. Anderenfalls kann das Kabel einer solchen Stromversorgung den Betrieb behindern und Personenschäden verursachen.

Symbole

Nachfolgend werden Symbole beschrieben, die für das Gerät verwendet werden können. Machen Sie sich unbedingt vor der Benutzung mit ihrer Bedeutung vertraut.

	Besondere Umsicht und Aufmerksamkeit erforderlich.
	Betriebsanleitung lesen.
	Gefahr durch herausgeschleuderte Objekte.



Der Abstand zwischen dem Werkzeug und Umstehenden sollte mindestens 15 m betragen.



Halten Sie niemals Ihre Hände und Füße in die Nähe des Mähmessers unter dem Mäher. Die Mähmesser drehen sich nach dem Ausschalten des Motors noch weiter.



Warnung: Batterie vor Wartung abklemmen.



Elektrische Gefährdung. Kontakt mit Wasser kann einen elektrischen Schlag verursachen.



Nicht mit Wasser übergießen.



Nur für EU-Länder
Aufgrund des Vorhandenseins gefährlicher Komponenten in der Ausrüstung können Elektro- und Elektronik-Altgeräte, Akkumulatoren und Batterien sich negativ auf die Umwelt und die menschliche Gesundheit auswirken. Entsorgen Sie Elektro- und Elektronikgeräte oder Batterien nicht mit dem Hausmüll! In Übereinstimmung mit der Europäischen Richtlinie über Elektro- und Elektronik-Altgeräte, Akkumulatoren und Batterien, verbrauchte Akkumulatoren und Batterien sowie ihrer Anpassung an nationales Recht sollten Elektro-Altgeräte, Batterien und Akkumulatoren gemäß den Umweltschutzbestimmungen getrennt gelagert und zu einer getrennten Sammelstelle für Siedlungsabfälle geliefert werden. Dies wird durch das am Gerät angebrachte Symbol der durchgestrichenen Abfalltonne auf Rädern angezeigt.



Garantierter Schalleistungspegel gemäß der EU-Richtlinie über Außenlärm.



Schalleistungspegel gemäß der australischen NSW-Lärmschutzverordnung

Vorgesehene Verwendung

Die Maschine ist für Rasenmähen vorgesehen.

Geräusch

Typischer A-bewerteter Geräuschpegel ermittelt gemäß EN62841-4-3:

Modell LM001G

Gemessener Schalleistungspegel (L_{WA}): 91 dB (A)
Garantierter Schalleistungspegel (L_{WA}): 94 dB (A)
Schalldruckpegel (L_{pA}): 81 dB (A)
Messunsicherheit für den Schalldruckpegel (K): 3 dB (A)

Modell LM002G

Gemessener Schalleistungspegel (L_{WA}): 91 dB (A)
Garantierter Schalleistungspegel (L_{WA}): 94 dB (A)
Schalldruckpegel (L_{pA}): 81 dB (A)
Messunsicherheit für den Schalldruckpegel (K): 3 dB (A)

HINWEIS: Der (Die) angegebene(n) Schallemissionswert(e) wurde(n) im Einklang mit der Standardprüfmethode gemessen und kann (können) für den Vergleich zwischen Werkzeugen herangezogen werden.

HINWEIS: Der (Die) angegebene(n) Schallemissionswert(e) kann (können) auch für eine Vorbewertung des Gefährdungsgrads verwendet werden.

⚠️ WARNUNG: Einen Gehörschutz tragen.

⚠️ WARNUNG: Die Schallemission während der tatsächlichen Benutzung des Elektrowerkzeugs kann je nach der Benutzungsweise des Werkzeugs, und speziell je nach der Art des bearbeiteten Werkstücks, von dem (den) angegebenen Wert(en) abweichen.

⚠️ WARNUNG: Identifizieren Sie Sicherheitsmaßnahmen zum Schutz des Benutzers anhand einer Schätzung des Gefährdungsgrads unter Berücksichtigung aller Phasen des Arbeitszyklus, wie z. B. Ausschalt- und Leerlaufzeiten des Werkzeugs zusätzlich zur Betriebszeit.

Schwingungen

Schwingungsgesamtwert (Drei-Achsen-Vektorsumme) ermittelt gemäß EN62841-4-3:

Modell LM001G

Schwingungsemission (a_h): 2,5 m/s² oder weniger
Messunsicherheit (K): 1,5 m/s²

Modell LM002G

Schwingungsemission (a_h): 2,5 m/s² oder weniger
Messunsicherheit (K): 1,5 m/s²

HINWEIS: Der (Die) angegebene(n) Vibrationsgesamtwert(e) wurde(n) im Einklang mit der Standardprüfmethode gemessen und kann (können) für den Vergleich zwischen Werkzeugen herangezogen werden.

HINWEIS: Der (Die) angegebene(n) Vibrationsgesamtwert(e) kann (können) auch für eine Vorbewertung des Gefährdungsgrads verwendet werden.

⚠️ WARNUNG: Die Vibrationsemission während der tatsächlichen Benutzung des Elektrowerkzeugs kann je nach der Benutzungsweise des Werkzeugs, und speziell je nach der Art des bearbeiteten Werkstücks, von dem (den) angegebenen Emissionswert(en) abweichen.

⚠️ WARNUNG: Identifizieren Sie Sicherheitsmaßnahmen zum Schutz des Benutzers anhand einer Schätzung des Gefährdungsgrads unter den tatsächlichen Benutzungsbedingungen (unter Berücksichtigung aller Phasen des Arbeitszyklus, wie z. B. Ausschalt- und Leerlaufzeiten des Werkzeugs zusätzlich zur Betriebszeit).

Konformitätserklärungen

Nur für europäische Länder

Die Konformitätserklärungen sind in Anhang A dieser Betriebsanleitung enthalten.

SICHERHEITSWARNUNGEN

Allgemeine Sicherheitswarnungen für Elektrowerkzeuge

⚠️ WARNUNG Lesen Sie alle Sicherheitshinweise, Anweisungen, Abbildungen und Spezifikationen, die diesem Elektrowerkzeug beiliegen. Eine Missachtung der unten aufgeführten Anweisungen kann zu einem elektrischen Schlag, Brand und/oder schweren Verletzungen führen.

Bewahren Sie alle Warnungen und Anweisungen für spätere Bezugnahme auf.

Der Ausdruck „Elektrowerkzeug“ in den Warnhinweisen bezieht sich auf Ihr mit Netzstrom (mit Kabel) oder Akku (ohne Kabel) betriebenes Elektrowerkzeug.

Sicherheitswarnungen für Akku-Rasenmäher

- Vermeiden Sie die Benutzung des Rasenmähers bei schlechten Witterungsverhältnissen, besonders bei Blitzschlaggefahr.** Dadurch wird die Gefahr, von einem Blitz getroffen zu werden, verringert.
- Untersuchen Sie den Bereich, in dem der Rasenmäher verwendet werden soll, gründlich auf Wildtiere.** Wildtiere können durch den Rasenmäher während des Betriebs verletzt werden.
- Inspizieren Sie den Bereich, in dem der Rasenmäher verwendet werden soll, gründlich, und entfernen Sie alle Steine, Stöcke, Drähte, Knochen und andere Fremdkörper.** Herausgeschleuderte Objekte können Personenschäden verursachen.
- Führen Sie vor der Verwendung des Rasenmähers immer eine visuelle Inspektion durch, um sicherzustellen, dass das Messer und die Messerbaugruppe nicht abgenutzt oder beschädigt sind.** Verschlissene oder beschädigte Teile erhöhen die Verletzungsgefahr.
- Überprüfen Sie den Grasfänger häufig auf Verschleiß oder Verschlechterung.** Ein verschlissener oder beschädigter Grasfänger kann das Risiko von Personenschäden erhöhen.
- Halten Sie die Schutzvorrichtungen in Position.** Schutzvorrichtungen müssen betriebsfähig und ordnungsgemäß montiert sein. Eine lose, beschädigte oder nicht korrekt funktionierende Schutzvorrichtung kann zu Personenschäden führen.
- Halten Sie alle Kühllufteinlässe frei von Unrat.** Verstopfte Luftpfeileinlässe und Ablagerungen können zu Überhitzung oder Brandgefahr führen.
- Tragen Sie während des Betriebs des Rasenmähers immer rutschfestes und schützendes Schuhwerk.** Betreiben Sie den Rasenmäher nicht barfuß oder mit offenen Sandalen. Dadurch wird die Verletzungsgefahr für die Füße durch Kontakt mit dem rotierenden Messer verringert.
- Tragen Sie während des Betriebs des Rasenmähers immer eine lange Hose.** Ungeschützte Haut erhöht die Wahrscheinlichkeit von Verletzungen durch weggeschleuderte Gegenstände.
- Betreiben Sie den Rasenmäher nicht in nassem Gras. Stets gehen, niemals laufen.** Dadurch wird die Gefahr des Rutschens und Stürzens, bei dem es zu Personenschäden kommen kann, verringert.
- Betreiben Sie den Rasenmäher nicht auf übermäßig steilen Hängen.** Dies reduziert die Gefahr des Verlusts der Kontrolle, des Rutschens und Stürzens, was zu Personenschäden führen kann.
- Achten Sie beim Arbeiten auf Hängen stets auf Ihren Halt, arbeiten Sie stets quer zur Hangfläche, niemals auf- oder abwärts, und lassen Sie bei Richtungswechseln äußerste Vorsicht walten.** Dies reduziert die Gefahr des Verlusts der Kontrolle, des Rutschens und Stürzens, was zu Personenschäden führen kann.

- Lassen Sie äußerste Vorsicht walten, wenn Sie den Rasenmäher rückwärts betreiben oder auf sich zu ziehen. Achten Sie immer auf Ihre Umgebung.** Dadurch wird die Stolpergefahr während des Betriebs verringert.
- Berühren Sie die Messer und andere gefährliche bewegliche Teile nicht, während sie noch in Bewegung sind.** Dadurch wird die Verletzungsgefahr durch bewegte Teile verringert.
- Stellen Sie beim Beseitigen von eingeklemmtem Material oder beim Reinigen des Rasenmähers sicher, dass alle Betriebsschalter ausgeschaltet sind und der Akku abgeklemmt ist.** Unerwarteter Betrieb des Rasenmähers kann zu schweren Personenschäden führen.

DIESE ANWEISUNGEN AUFBEWAHREN.

⚠️ WARNUNG: Lassen Sie sich NICHT durch Bequemlichkeit oder Vertrautheit mit dem Produkt (durch wiederholten Gebrauch erworben) von der strikten Einhaltung der Sicherheitsregeln für das vorliegende Produkt abhalten.

MISSBRAUCH oder Missachtung der Sicherheitsvorschriften in dieser Anleitung können schwere Verletzungen verursachen.

WICHTIGE SICHERHEITSVORSCHRIFTEN

⚠️ WARNUNG: Lesen Sie alle Sicherheitswarnungen und Anweisungen durch. Eine Missachtung der unten aufgeführten Warnungen und Anweisungen kann zu einem elektrischen Schlag, Brand und/oder schweren Verletzungen führen.

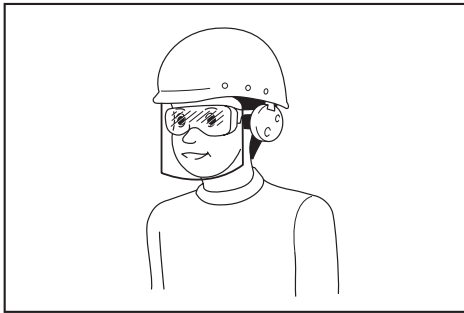
Bewahren Sie alle Warnungen und Anweisungen für spätere Bezugnahme auf.

Einarbeitung

- Lesen Sie die Anweisungen sorgfältig durch. Machen Sie sich mit der Bedienung und dem korrekten Gebrauch des Mähers vertraut.**
- Kinder oder Personen, die nicht mit dieser Anleitung vertraut sind, dürfen den Mäher keinesfalls benutzen.** Örtliche Vorschriften können das Alter der Bedienungsperson einschränken.
- Betreiben Sie den Mäher keinesfalls, während sich Personen, besonders Kinder, oder Haustiere in der Nähe aufhalten.**
- Der Bediener oder Benutzer ist verantwortlich für Verletzungen oder Sachschäden, die an Personen oder ihrem Eigentum entstehen.**
- Kinder sollten beaufsichtigt werden, um sicherzugehen, dass sie nicht mit dem Mäher spielen.**
- Körperliche Verfassung - Betreiben Sie den Mäher nicht unter dem Einfluss von Drogen, Alkohol oder Medikamenten.**

Vorbereitung

1. Tragen Sie während der Benutzung des Mähers stets kräftiges Schuhwerk und eine lange Hose. Betreiben Sie den Mäher nicht barfuß oder mit offenen Sandalen. Vermeiden Sie das Tragen von Kleidungsstücken oder Schmucksachen, die lose sitzen oder herunterhängende Schnüre oder Bänder haben. Diese können von beweglichen Teilen erfasst werden.
2. Unterziehen Sie den Mäher vor Gebrauch immer einer Sichtprüfung auf beschädigte, fehlende oder deplatzierte Schutzhauben oder Abschirmungen.
3. Vergewissern Sie sich, dass sich keine anderen Personen im Arbeitsbereich aufhalten, bevor Sie mit dem Mähen beginnen. Stellen Sie den Mäher ab, falls jemand den Arbeitsbereich betritt.
4. Tragen Sie stets eine Schutzbrille, um Ihre Augen bei Verwendung von Elektrowerkzeugen vor Verletzung zu schützen. Die Brille muss der Vorschrift ANSI Z87.1 in den USA, EN 166 in Europa oder AS/NZS 1336 in Australien/Neuseeland entsprechen. In Australien/Neuseeland ist das Tragen eines Gesichtsschutzes gesetzlich vorgeschrieben, um auch Ihr Gesicht zu schützen.



Der Arbeitgeber ist dafür verantwortlich, den Gebrauch von angemessener Schutzausrüstung für die Werkzeugbenutzer und andere Personen im unmittelbaren Arbeitsbereich durchzusetzen.

5. Überprüfen Sie die Messer oder die Messerschrauben vor dem Betrieb sorgfältig auf Risse oder Beschädigung. Wechseln Sie gerissene oder beschädigte Messer oder Messerschrauben unverzüglich aus.
6. Entfernen Sie vor dem Mähen Fremdkörper, wie Steine, Draht, Flaschen, Knochen und große Äste, vom Arbeitsbereich, um Personenschäden und Beschädigung des Mähers zu verhüten.
7. Vom Mähermesser herausgeschleuderte Gegenstände können schwere Personenverletzungen verursachen. Der Rasen ist vor jedem Mähen sorgfältig zu überprüfen und von allen Objekten zu räumen.
8. Achten Sie auf Löcher, Furchen, Bodenwellen, Steine oder sonstige verborgene Objekte. Unebenes Gelände könnte einen Unfall durch Ausrutschen und Hinfallen verursachen. Hohes Gras kann Hindernisse verbergen.

9. Benutzen Sie persönliche Schutzausrüstung. Tragen Sie stets einen Augenschutz. Sachgemäßer Gebrauch von Schutzausrüstung (z. B. Staubmaske, rutschfeste Sicherheitsschuhe, Helm und Gehörschutz) trägt zu einer Reduzierung der Verletzungsgefahr bei.

Betrieb

1. Übernehmen Sie sich nicht. Achten Sie stets auf gute Balance. Achten Sie an Hängen immer auf einen sicheren Stand. Stets gehen, niemals laufen.
2. Halten Sie den Mäher an, schalten Sie die Maschine aus, und vergewissern Sie sich, dass alle beweglichen Teile zu einem vollständigen Stillstand gekommen sind:
 - wann immer Sie den Mäher verlassen,
 - bevor Sie Blockierungen beseitigen oder den Auswurf frei machen,
 - bevor Sie den Mäher überprüfen, reinigen oder daran arbeiten,
 - nach dem Auftreffen auf einen Fremdkörper. Überprüfen Sie den Mäher auf Beschädigung, und führen Sie Reparaturen durch, bevor Sie den Mäher wieder starten und in Betrieb nehmen,
 - wann immer der Mäher ungewöhnlich zu vibrieren beginnt.
3. Betreiben Sie den Mäher niemals mit defekten Schutzklappen oder Abschirmungen oder ohne Sicherheitsvorrichtungen, wie z. B. Abweiser und/oder Graskorb.
4. Vermeiden Sie die Benutzung des Mähers bei schlechten Witterungsverhältnissen, besonders bei Blitzschlaggefahr.
5. Tragen Sie während der Benutzung des Mähers stets einen Augenschutz und robuste Schuhe.
6. Betreiben Sie den Mäher nur bei Tageslicht oder hellem Kunstlicht.
7. Schalten Sie den Mäher gemäß den Anweisungen vorsichtig ein, während Ihre Füße einen ausreichenden Sicherheitsabstand von dem (den) Messer(n) haben.
8. Hüten Sie sich vor Fuß- und Handverletzungen durch die Mähermesser.
9. Achten Sie stets darauf, dass die Belüftungsöffnungen frei von Unrat sind.
10. Mähen Sie Hänge nur seitwärts, niemals auf und ab. Gehen Sie bei Richtungsänderungen auf Hängen äußerst vorsichtig vor. Mähen Sie keine sehr steilen Hänge.
11. Lassen Sie äußerste Vorsicht walten, wenn Sie den Mäher rückwärts betreiben oder auf sich zu ziehen.
12. Halten Sie das (die) Messer an, wenn der Mäher zum Transportieren gekippt werden muss, wenn andere Flächen als Rasen überquert werden müssen, und wenn der Mäher zu und vom Arbeitsbereich transportiert werden muss.
13. Neigen Sie den Mäher nicht, wenn Sie den Motor einschalten, außer wenn der Mäher zum Starten geneigt werden muss. Neigen Sie den Mäher in diesem Fall nicht mehr als absolut notwendig, und heben Sie nur den vom Bediener abgewandten Teil an. Achten Sie stets darauf, dass sich beide Hände an der Arbeitsposition befinden, bevor Sie den Mäher wieder auf den Boden stellen.

14. Halten Sie Ihre Hände oder Füße nicht in die Nähe von rotierenden Teilen oder darunter. Bleiben Sie stets von der Auswurföffnung fern.
 15. Transportieren Sie den Mäher nicht in eingeschaltetem Zustand.
 16. Vermeiden Sie die Benutzung des Mähers in nassem Gras.
 17. Halten Sie den Bügelgriff stets mit festem Griff.
 18. Fassen Sie nicht die freiliegenden Schneidmesser oder die Schneidkanten an, wenn Sie den Mäher anheben oder halten.
 19. Halten Sie Hände und Füße von den rotierenden Messern fern. Vorsicht - Die Messer drehen sich nach dem Ausschalten des Mähers noch weiter.
 20. Brechen Sie den Betrieb sofort ab, wenn Sie irgendetwas Ungewöhnliches bemerken. Schalten Sie den Mäher aus. Überprüfen Sie dann den Mäher.
 21. Versuchen Sie niemals, Einstellungen der Schnitthöhe bei laufendem Mäher durchzuführen, wenn der Mäher eine Funktion zum Einstellen der Schnitthöhe besitzt.
 22. Lassen Sie den Schalthebel los, und warten Sie, bis das Messer zum Stillstand gekommen ist, bevor Sie Einfahrten, Gehwege, Straßen und schotterbedeckte Flächen überqueren. Schalten Sie die Maschine auch aus, wenn Sie den Mäher verlassen, wenn Sie sich bücken, um etwas aufzuheben oder aus dem Weg zu räumen, oder in irgendeiner anderen Situation, bei der Sie von Ihrer Arbeit abgelenkt werden könnten.
 23. Falls der Rasenmäher auf einen Fremdkörper stößt, gehen Sie folgendermaßen vor:
 - Stellen Sie den Mäher ab, lassen Sie den Schalthebel los, und warten Sie, bis das Messer zum vollständigen Stillstand kommt.
 - Nehmen Sie den Akku ab.
 - Überprüfen Sie den Mäher gründlich auf etwaige Beschädigung.
 - Tauschen Sie das Messer aus, falls es in irgendeiner Weise beschädigt ist. Reparieren Sie etwaige Schäden, bevor Sie den Mäher wieder in Betrieb nehmen und weiter benutzen.
 24. Starten Sie den Mäher nicht, wenn Sie vor der Auswurföffnung stehen.
 25. Falls der Mäher beginnt, ungewöhnlich heftig zu vibrieren (sofort überprüfen),
 - auf Beschädigung überprüfen,
 - beschädigte Teile austauschen oder reparieren,
 - prüfen, ob lose Teile vorhanden sind, und diese festziehen.
 26. Richten Sie den Materialauswurf niemals auf Personen. Vermeiden Sie Auswerfen von Material gegen eine Wand oder eine Behinderung. Das Material könnte auf den Bediener zurückprallen. Halten Sie das Messer an, wenn Sie Schotterflächen überqueren.
 27. Ziehen Sie den Mäher nicht rückwärts, wenn dies nicht unbedingt notwendig ist. Wenn Sie gezwungen sind, den Mäher von einem Zaun oder einer ähnlichen Behinderung zurückzuziehen, schauen Sie nach unten und hinten, bevor und während Sie sich rückwärts bewegen.
 28. Stellen Sie den Motor ab, und warten Sie, bis das Messer zu einem vollständigen Stillstand kommt, bevor Sie den Grasfänger entfernen. Beachten Sie, dass die Messer nach dem Ausschalten nachlaufen.
 29. Wenn Sie die Maschine auf schlammigem Boden, auf einem nassen Hang oder an einem schlüpfrigen Ort benutzen, achten Sie auf Ihren Stand.
 30. Tauchen Sie die Maschine nicht in einen Tümpel ein.
 31. Achten Sie beim Betreiben der Maschine auf Rohrleitungen und Kabel.
- Wartung und Lagerung**
1. Tauschen Sie verschlissene oder beschädigte Teile zur Sicherheit aus. Verwenden Sie nur Original-Ersatzteile und -Zubehör.
 2. Überprüfen und warten Sie den Mäher regelmäßig.
 3. Bewahren Sie den Mäher bei Nichtgebrauch außer Reichweite von Kindern auf.
 4. Achten Sie auf festen Sitz aller Muttern, Bolzen und Schrauben, um sicherzugehen, dass sich das Gerät in einwandfreiem Arbeitszustand befindet.
 5. Überprüfen Sie den Graskorb oft auf Verschleiß oder Verschlechterung. Vergewissern Sie sich vor der Lagerung stets, dass der Graskorb leer ist. Tauschen Sie einen verschlissenen Graskorb zur Sicherheit gegen ein neues Original-Ersatzteil aus.
 6. Verwenden Sie nur die in dieser Anleitung angegebenen Originalmesser des Herstellers.
 7. Lassen Sie während der Einstellung des Mähers Vorsicht walten, um Einklemmen der Finger zwischen den beweglichen Messern und den feststehenden Teilen des Mähers zu verhüten.
 8. Überprüfen Sie die Messerbefestigungsschraube in regelmäßigen Abständen auf festen Sitz.
 9. Lassen Sie den Mäher vor der Lagerung stets abkühlen.
 10. Wenn Sie die Messer warten, bedenken Sie, dass sich die Messer immer noch bewegen können, selbst wenn die Stromquelle abgeschaltet ist.
 11. Versuchen Sie niemals, Sicherheitsvorrichtungen zu entfernen oder zu manipulieren. Überprüfen Sie regelmäßig ihre ordnungsgemäße Funktion. Unterlassen Sie jegliche Beeinträchtigung der beabsichtigten Funktion einer Sicherheitsvorrichtung oder eine Verringerung des von einer Sicherheitsvorrichtung bereitgestellten Schutzes.
 12. Lassen Sie die Maschine nicht unbeaufsichtigt im Freien bei Regen stehen.
 13. Lagern Sie die Maschine nicht an einem Ort, der direktem Sonnenlicht und Regen ausgesetzt ist, sondern an einem Ort, an dem es nicht heiß oder feucht wird.

Gebrauch und Pflege von Akkuwerkzeugen

1. **Laden Sie den Akku nur mit dem vom Hersteller vorgeschriebenen Ladegerät.** Ein Ladegerät, das für einen Akkutyp geeignet ist, kann bei Verwendung mit einem anderen Akku eine Brandgefahr darstellen.
2. **Benutzen Sie Elektrowerkzeuge nur mit den ausdrücklich vorgeschriebenen Akkus.** Bei Verwendung irgendwelcher anderer Akkus besteht Verletzungs- und Brandgefahr.
3. **Bewahren Sie den Akku bei Nichtgebrauch nicht zusammen mit Metallgegenständen, wie Büroklammern, Münzen, Schlüsseln, Nägeln, Schrauben, und anderen kleinen Metallteilen auf, welche die Kontakte kurzschließen können.** Kurzschließen der Akkukontakte kann Verbrennungen oder einen Brand verursachen.
4. **Bei Missbrauch kann Flüssigkeit aus dem Akku austreten. Vermeiden Sie Kontakt mit dieser Flüssigkeit. Falls Sie versehentlich mit der Flüssigkeit in Berührung kommen, spülen Sie die betroffenen Stellen mit Wasser ab. Falls die Flüssigkeit in die Augen gelangt, suchen Sie zusätzlich ärztliche Hilfe auf.** Die vom Akku austretende Flüssigkeit kann Hautreizungen oder Verätzungen verursachen.
5. **Verwenden Sie keinen Akku und auch kein Werkzeug, der (das) beschädigt oder modifiziert ist.** Beschädigte oder modifizierte Akkus können unvorhersehbares Verhalten zeigen, das zu einem Brand, einer Explosion oder Verletzungsgefahr führen kann.
6. **Setzen Sie einen Akku oder ein Werkzeug nicht Feuer oder übermäßigen Temperaturen aus.** Bei Einwirkung von Feuer oder Temperaturen über 130 °C kann es zu einer Explosion kommen.
7. **Befolgen Sie alle Ladeanweisungen, und laden Sie den Akku bzw. das Werkzeug nicht außerhalb des in den Anweisungen angegebenen Temperaturbereichs.** Wird der Ladevorgang unsachgemäß oder bei Temperaturen außerhalb des angegebenen Bereichs durchgeführt, kann es zu einer Beschädigung des Akkus und erhöhter Brandgefahr kommen.

Sicherheit der Elektrik und des Akkus

1. **Werfen Sie den (die) Akku(s) nicht ins Feuer.** Die Zelle könnte explodieren. Prüfen Sie die örtlichen Vorschriften für mögliche spezielle Entsorgungsanweisungen.
2. **Versuchen Sie nicht, den (die) Akku(s) zu öffnen oder zu verstümmeln.** Freigesetzter Elektrolyt ist korrosiv und kann Schäden an Augen oder Haut verursachen. Falls er verschluckt wird, kann er giftig sein.
3. **Laden Sie den Akku nicht im Regen oder an nassen Orten.**
4. **Laden Sie den Akku nicht im Freien.**
5. **Fassen Sie das Ladegerät, einschließlich des Ladegerätesteckers und der Ladegeräteanschlüsse, nicht mit nassen Händen an.**
6. **Tauschen Sie den Akku nicht im Regen aus.**

7. **Vermeiden Sie Benetzen der Akkukontakte mit einer Flüssigkeit, wie z. B. Wasser, oder Untertauchen des Akkus. Lassen Sie den Akku nicht im Regen stehen, und unterlassen Sie Laden, Benutzen oder Lagern des Akkus an einem feuchten oder nassen Ort.** Falls die Kontakte nass werden, oder eine Flüssigkeit in den Akku eindringt, kann der Akku kurzgeschlossen werden, und es besteht Überhitzungs-, Brand- oder Explosionsgefahr.
8. **Nachdem Sie den Akku von der Maschine oder vom Ladegerät entfernt haben, bringen Sie unbedingt die Akkuabdeckung am Akku an, und lagern Sie ihn an einem trockenen Ort.**
9. **Tauschen Sie den Akku nicht mit nassen Händen aus.**
10. **Vermeiden Sie gefährliche Umgebungen. Benutzen Sie die Maschine nicht an feuchten oder nassen Orten, und setzen Sie sie auch keinem Regen aus.** Wasser, das in die Maschine eindringt, erhöht die Stromschlaggefahr.
11. **Falls der Akku nass wird, lassen Sie das eingedrungene Wasser ab, und wischen Sie ihn dann mit einem trockenen Tuch ab. Lassen Sie den Akku an einem trockenen Ort vollkommen trocknen, bevor Sie ihn benutzen.**

Wartung

1. **Lassen Sie Ihr Elektrowerkzeug nur unter Verwendung identischer Ersatzteile von einem qualifizierten Wartungstechniker warten.** Dadurch wird die Aufrechterhaltung der Sicherheit des Elektrowerkzeugs gewährleistet.
2. **Beschädigte Akkus dürfen auf keinen Fall gewartet werden.** Die Wartung von Akkus darf nur vom Hersteller oder von einer Vertragswerkstatt durchgeführt werden.

DIESE ANWEISUNGEN AUFBEWAHREN.

⚠️ WARNUNG: Lassen Sie sich NICHT durch Bequemlichkeit oder Vertrautheit mit dem Produkt (durch wiederholten Gebrauch erworben) von der strikten Einhaltung der Sicherheitsregeln für das vorliegende Produkt abhalten.

MISSBRAUCH oder Missachtung der Sicherheitsvorschriften in dieser Anleitung können schwere Verletzungen verursachen.

Wichtige Sicherheitsanweisungen für Akku

1. **Lesen Sie vor der Benutzung des Akkus alle Anweisungen und Warnhinweise, die an (1) Ladegerät, (2) Akku und (3) Akkuwerkzeug angebracht sind.**
2. **Unterlassen Sie Zerlegen oder Manipulieren des Akkus.** Es kann sonst zu einem Brand, übermäßiger Hitzeentwicklung oder einer Explosion kommen.
3. **Falls die Betriebszeit beträchtlich kürzer geworden ist, stellen Sie den Betrieb sofort ein. Anderenfalls besteht die Gefahr von Überhitzung, möglichen Verbrennungen und sogar einer Explosion.**

4. Falls Elektrolyt in Ihre Augen gelangt, waschen Sie sie mit sauberem Wasser aus, und begeben Sie sich unverzüglich in ärztliche Behandlung. Anderenfalls können Sie Ihre Sehkraft verlieren.
5. Der Akku darf nicht kurzgeschlossen werden:
 - (1) Die Kontakte dürfen nicht mit leitfähigem Material berührt werden.
 - (2) Lagern Sie den Akku nicht in einem Behälter zusammen mit anderen Metallgegenständen, wie z. B. Nägel, Münzen usw.
 - (3) Setzen Sie den Akku weder Wasser noch Regen aus.

Ein Kurzschluss des Akkus verursacht starken Stromfluss, der Überhitzung, mögliche Verbrennungen und einen Defekt zur Folge haben kann.

6. Lagern und benutzen Sie das Werkzeug und den Akku nicht an Orten, an denen die Temperatur 50 °C erreichen oder überschreiten kann.
7. Versuchen Sie niemals, den Akku zu verbrennen, selbst wenn er stark beschädigt oder vollkommen verbraucht ist. Der Akku kann im Feuer explodieren.
8. Unterlassen Sie Nageln, Schneiden, Zerquetschen, Werfen, Fallenlassen des Akkus oder Schlagen des Akkus mit einem harten Gegenstand. Eine solche Handlung kann zu einem Brand, übermäßiger Hitzeentwicklung oder einer Explosion führen.
9. Benutzen Sie keine beschädigten Akkus.
10. Die enthaltenen Lithium-Ionen-Akkus unterliegen den Anforderungen der Gefahrgut-Gesetzgebung.

Für kommerzielle Transporte, z. B. durch Dritte oder Spediteure, müssen besondere Anforderungen zu Verpackung und Etikettierung beachtet werden.

Zur Vorbereitung des zu transportierenden Artikels ist eine Beratung durch einen Experten für Gefahrgut erforderlich. Bitte beachten Sie möglicherweise ausführlichere nationale Vorschriften. Überkleben oder verdecken Sie offene Kontakte, und verpacken Sie den Akku so, dass er sich in der Verpackung nicht umher bewegen kann.

11. Entfernen Sie den Akku zum Entsorgen vom Werkzeug, und entsorgen Sie ihn an einem sicheren Ort. Befolgen Sie die örtlichen Vorschriften bezüglich der Entsorgung von Akkus.
12. Verwenden Sie die Akkus nur mit den von Makita angegebenen Produkten. Das Einsetzen der Akkus in nicht konforme Produkte kann zu einem Brand, übermäßiger Hitzebildung, einer Explosion oder Auslaufen von Elektrolyt führen.
13. Soll das Werkzeug längere Zeit nicht benutzt werden, muss der Akku vom Werkzeug entfernt werden.
14. Bei und nach dem Gebrauch kann der Akku heiß werden, was Verbrennungen oder Niedertemperaturverbrennungen verursachen kann. Beachten Sie die Handhabung von heißen Akkus.

15. Berühren Sie nicht den Anschlusskontakt des Werkzeugs unmittelbar nach dem Gebrauch, da er heiß genug werden kann, um Verbrennungen zu verursachen.
16. Achten Sie darauf, dass sich keine Späne, Staub oder Schmutz in den Anschlusskontakten, Löchern und Nuten des Akkus absetzen. Es könnte sonst zu Erhitzung, Brandauslösung, Bersten und Funktionsstörungen des Werkzeugs oder des Akkus kommen, was zu Verbrennungen oder Personenschäden führen kann.
17. Wenn das Werkzeug den Einsatz in der Nähe einer Hochspannungs-Stromleitung nicht unterstützt, benutzen Sie den Akku nicht in der Nähe einer Hochspannungs-Stromleitung. Dies kann zu einer Funktionsstörung oder Betriebsstörung des Werkzeugs oder des Akkus führen.
18. Halten Sie die Batterie von Kindern fern.

DIESE ANWEISUNGEN AUFBEWAHREN.

⚠ VORSICHT: Verwenden Sie nur Original-Makita-Akkus. Die Verwendung von Nicht-Original-Makita-Akkus oder von Akkus, die abgeändert worden sind, kann zum Bersten des Akkus und daraus resultierenden Bränden, Personenschäden und Beschädigung führen. Außerdem wird dadurch die Makita-Garantie für das Makita-Werkzeug und -Ladegerät ungültig.

Hinweise zur Aufrechterhaltung der maximalen Akku-Nutzungsdauer

1. Laden Sie den Akku, bevor er vollkommen erschöpft ist. Schalten Sie das Werkzeug stets aus, und laden Sie den Akku, wenn Sie ein Nachlassen der Werkzeugleistung feststellen.
2. Unterlassen Sie erneutes Laden eines voll aufgeladenen Akkus. Überladen führt zu einer Verkürzung der Nutzungsdauer des Akkus.
3. Laden Sie den Akku bei Raumtemperatur zwischen 10 – 40 °C. Lassen Sie einen heißen Akku abkühlen, bevor Sie ihn laden.
4. Wenn Sie den Akku nicht benutzen, nehmen Sie ihn vom Werkzeug oder Ladegerät ab.
5. Der Akku muss geladen werden, wenn er lange Zeit (länger als sechs Monate) nicht benutzt wird.

MONTAGE

⚠️ WARNUNG: Vergewissern Sie sich stets, dass alle Akkus abgenommen sind, bevor Sie irgendwelche Arbeiten an der Maschine ausführen. Wird das Abnehmen aller Akkus unterlassen, kann es zu schweren Personenschäden durch versehentliches Anlaufen kommen.

⚠️ WARNUNG: Starten Sie den Mäher niemals, wenn er nicht vollständig zusammengebaut ist. Der Betrieb der Maschine in teilweise zusammengebautem Zustand kann zu schweren Personenschäden durch versehentliches Anlaufen führen.

Montieren des Bügelgriffs

ANMERKUNG: Achten Sie beim Installieren der Bügelgriffe darauf, dass das Kabel nicht zwischen den Bügelgriffen eingeklemmt wird. Falls das Kabel beschädigt wird, funktioniert der Mäherschalter eventuell nicht.

1. Richten Sie das Loch im unteren Bügelgriff auf das Loch im oberen Bügelgriff aus, führen Sie dann die Schraube von außen ein, und ziehen Sie dann die Rändelmutter von innen an. Führen Sie den gleichen Vorgang auf der anderen Seite durch.

► **Abb.1:** 1. Schraube 2. Rändelmutter 3. Unterer Bügelgriff 4. Oberer Bügelgriff

2. Drehen Sie den Knopf um 90°, während Sie den Knopf am unteren Bügelgriff ziehen, um den Verriegelungsstift zu lösen. Führen Sie den gleichen Vorgang auf der anderen Seite durch. Heben Sie den Bügelgriff an, und drehen Sie dann den Knopf auf beiden Seiten um 90°. Vergewissern Sie sich, dass die Knöpfe sicher fixiert sind.

► **Abb.2:** 1. Knopf

HINWEIS: Das Abstützen des Bügelgriffs erleichtert das Freigeben des Verriegelungsstifts beim Ziehen am Knopf.

HINWEIS: Achten Sie beim Drehen des Knopfes darauf, dass sich das Kabel nicht im Knopf verfängt.

► **Abb.3:** 1. Knopf

Entfernen des Mulchstopfens

1. Öffnen Sie die Rückabdeckung.

► **Abb.4:** 1. Rückabdeckung

2. Heben Sie den Mulchstopfen geringfügig an, und entfernen Sie ihn dann.

► **Abb.5:** 1. Mulchstopfen

Montieren des Graskorbs

1. Heben Sie den oberen Clip des Graskorbs hoch.

► **Abb.6:** 1. Oberer Clip

2. Führen Sie den Rahmen bis zum Anschlag in den Graskorb ein, während Sie den Griff des Rahmens halten.

► **Abb.7:** 1. Griff

ANMERKUNG: Führen Sie den Griff nicht in den Graskorb ein. Führen Sie den Rahmen unbedingt entlang der Masche des Graskorbs ein.

3. Vergewissern Sie sich, dass die Ecken des Graskorbs nicht durchhängen.

► **Abb.8**

4. Öffnen Sie den oberen Clip, und befestigen Sie ihn am Rahmen.

► **Abb.9**

5. Befestigen Sie alle übrigen Clips, wie in der Abbildung gezeigt. Vergewissern Sie sich, dass alle Clips sicher am Rahmen befestigt sind.

► **Abb.10:** 1. Clip

Montieren und Demontieren des Graskorbs

Befolgen Sie zum Montieren des Graskorbs die nachstehenden Schritte.

1. Öffnen Sie die Rückabdeckung.

► **Abb.11:** 1. Rückabdeckung

2. Halten Sie den Griff des Graskorbs, und hängen Sie dann den Graskorb an die Stange der Mähereinheit, wie in der Abbildung gezeigt.

► **Abb.12:** 1. Graskorb 2. Griff 3. Stange

Zum Entfernen des Graskorbs öffnen Sie die Rückabdeckung, und nehmen Sie dann den Graskorb ab, indem Sie den Griff halten.

Anbringen des Mulchstopfens

1. Öffnen Sie die Rückabdeckung, und nehmen Sie dann den Graskorb ab.

► **Abb.13:** 1. Rückabdeckung 2. Graskorb

2. Befestigen Sie den Mulchstopfen, indem Sie ihn bis zum Anschlag hineindrücken, so dass die Vorsprünge am Mulchstopfen in die Löcher an der Maschine passen.

► **Abb.14:** 1. Mulchstopfen 2. Vorsprung

Montieren und Demontieren des Auswurfkanals

Befolgen Sie zum Montieren des Auswurfkanals die nachstehenden Schritte.

1. Öffnen Sie die Rückabdeckung, und nehmen Sie dann den Graskorb und den Mulchstopfen ab.

2. Haken Sie die Löcher des Auswurfkanals an den Vorsprüngen der Mähereinheit ein, wie in der Abbildung gezeigt.

► **Abb.15:** 1. Auswurfkanal 2. Vorsprung

Um den Auswurfkanal zu demontieren, öffnen Sie die Rückabdeckung, und nehmen Sie dann den Auswurfkanal heraus.

FUNKTIONSBE- SCHREIBUNG

Anbringen und Abnehmen des Akkus

⚠ VORSICHT: Schalten Sie die Maschine stets aus, bevor Sie den Akku anbringen oder abnehmen.

⚠ VORSICHT: Halten Sie die Maschine und den Akku beim Anbringen oder Abnehmen des Akkus sicher fest. Wenn Sie die Maschine und den Akku nicht sicher festhalten, können sie Ihnen aus den Händen rutschen, was zu einer Beschädigung der Maschine und des Akkus und zu Personenschäden führen kann.

⚠ VORSICHT: Verriegeln Sie unbedingt die Akkuabdeckung vor Gebrauch. Anderenfalls können Schlamm, Schmutz oder Wasser eine Beschädigung des Produkts oder der Akkus verursachen.

⚠ VORSICHT: Schieben Sie die Akkus stets bis zum Anschlag ein, bis die rote Anzeige nicht mehr sichtbar ist. Anderenfalls kann er versehentlich aus der Maschine herausfallen und Sie oder umstehende Personen verletzen.

⚠ VORSICHT: Unterlassen Sie Gewaltanwendung beim Anbringen der Akkus. Falls die Akkus nicht reibungslos hineingleiten, sind sie nicht richtig ausgerichtet.

⚠ VORSICHT: Halten Sie die Akkuabdeckung fest, wenn Sie den Akku installieren oder entfernen.

Zum Einsetzen der Akkus:

1. Ziehen Sie den Verriegelungshebel hoch, und öffnen Sie dann die Akkuabdeckung.
▶ **Abb.16:** 1. Akkuabdeckung 2. Verriegelungshebel
2. Richten Sie die Feder am Akku auf den Schlitz an der Maschine aus, und schieben Sie dann den Akku hinein, bis er mit einem leisen Klicken einrastet.
▶ **Abb.17:** 1. Akku
3. Schließen Sie die Akkuabdeckung, und drücken Sie sie an, bis sie mit dem Verriegelungshebel einrastet.

Zum Entfernen des Akkus:

1. Ziehen Sie den Verriegelungshebel hoch, und öffnen Sie die Akkuabdeckung.
2. Ziehen Sie den Akku aus der Maschine heraus, während Sie den Knopf an der Vorderseite des Akkus verschieben.
3. Schließen Sie die Akkuabdeckung.

Maschinen-/Akku-Schutzsystem

Die Maschine ist mit einem Maschinen-/Akku-Schutzsystem ausgestattet. Dieses System schaltet die Stromversorgung des Motors automatisch ab, um die Lebensdauer von Maschine und Akku zu verlängern. Die Maschine bleibt während des Betriebs automatisch stehen, wenn die Maschine oder der Akku einer der folgenden Bedingungen unterliegt:

Überlastschutz

Wird der Akku auf eine Weise benutzt, die eine ungewöhnlich hohe Stromaufnahme bewirkt, bleibt die Maschine automatisch stehen, und die Hauptbetriebslampe blinkt in Grün. Schalten Sie in dieser Situation die Maschine aus, und brechen Sie die Anwendung ab, die eine Überlastung der Maschine verursacht hat. Schalten Sie dann die Maschine wieder ein, um sie neu zu starten.

Überhitzungsschutz

Wenn die Maschine überhitzt wird, bleibt die Maschine automatisch stehen, und die Hauptbetriebslampe leuchtet in Rot auf. Lassen Sie die Maschine und die Akkus in diesem Fall abkühlen, bevor Sie die Maschine wieder einschalten.

HINWEIS: Wenn der Akku überhitzt wird, blinkt die Hauptbetriebslampe in Rot.

Überentladungsschutz

Wenn die Akkukapazität nicht ausreicht, bleibt die Maschine automatisch stehen, und die Hauptbetriebslampe blinkt in Rot. Entfernen Sie in diesem Fall die Akkus aus der Maschine, und laden Sie die Akkus auf, oder tauschen Sie die Akkus gegen voll aufgeladene aus.

Schutz gegen andere Ursachen

Das Schutzsystem ist auch für andere Ursachen ausgelegt, die eine Beschädigung der Maschine bewirken könnten, und ermöglicht automatisches Anhalten der Maschine. Führen Sie alle folgenden Schritte aus, um die Ursachen zu beseitigen, wenn die Maschine zu einem vorübergehenden Stillstand oder Betriebsstopp gekommen ist.

1. Schalten Sie die Maschine aus und wieder ein, um sie neu zu starten.
2. Laden Sie den/die Akku(s) auf, oder tauschen Sie ihn/sie gegen einen aufgeladenen Akku/aufgeladene Akkus aus.
3. Lassen Sie die Maschine und den/die Akku(s) abkühlen.

Falls die Wiederherstellung des Schutzsystems keine Besserung bringt, wenden Sie sich an Ihre lokale Makita-Kundendienststelle.

ANMERKUNG: Falls die Maschine wegen einer oben nicht beschriebenen Ursache stehen bleibt, nehmen Sie auf den Abschnitt zur Fehlersuche Bezug.

Anzeigen der Akku-Restkapazität

► Abb.18: 1. Anzeige Akkuladezustand

Wenn die Akku-Restkapazität niedrig wird, blinkt die Akku-Anzeige auf der Seite des betreffenden Akkus. Bei weiterer Benutzung bleibt die Maschine stehen, und die Akku-Anzeige leuchtet auf. Laden Sie in dieser Situation den Akku auf.

HINWEIS: Falls zwei Akkus installiert sind, wird der auf der linken Seite installierte Akku zuerst benutzt.

HINWEIS: Falls zwei Akkus installiert sind, wechselt die Maschine automatisch den Akku, wenn der benutzte leer ist.

Anzeigen der Akku-Restkapazität

Drücken Sie die Prüftaste am Akku, um die Akku-Restkapazität anzuzeigen. Die Anzeigelampen leuchten wenige Sekunden lang auf.

► Abb.19: 1. Anzeigelampen 2. Prüftaste

Anzeigelampen			Restkapazität
Erleuchtet	Aus	Blinkend	
			75% bis 100%
			50% bis 75%
			25% bis 50%
			0% bis 25%
			Den Akku aufladen.
			Möglicherweise liegt eine Funktionsstörung im Akku vor.

HINWEIS: Abhängig von den Benutzungsbedingungen und der Umgebungstemperatur kann die Anzeige geringfügig von der tatsächlichen Kapazität abweichen.

HINWEIS: Die erste (äußerste linke) Anzeigelampe blinkt, wenn das Akku-Schutzsystem aktiv ist.

Bedienfeld

Das Bedienfeld weist den Hauptbetriebschalter und die Betriebsart-Umschalttaste auf.

► **Abb.20:** 1. Nulllast-Sanftmoduslampe 2. Geräuschreduzierungsmoduslampe 3. Betriebsart-Umschalttaste 4. Hauptbetriebslampe 5. Hauptbetriebschalter

Hauptbetriebschalter

⚠ WARNUNG: Schalten Sie den Hauptbetriebschalter stets aus, wenn das Werkzeug nicht benutzt wird.

Zum Einschalten der Maschine drücken Sie den Hauptbetriebschalter. Die Hauptbetriebslampe leuchtet in Grün auf. Zum Ausschalten der Maschine drücken Sie den Hauptbetriebschalter erneut.

HINWEIS: Falls die Hauptbetriebslampe in Rot aufleuchtet oder in Rot oder Grün blinkt, nehmen Sie auf die Anweisungen für das Maschinen-/Akku-Schutzsystem Bezug.

HINWEIS: Diese Maschine verwendet die Abschaltautomatik. Um unbeabsichtigtes Anlaufen zu vermeiden, wird der Hauptbetriebschalter automatisch abgeschaltet, wenn der Schalthebel und der Antriebsbügel (sofern vorhanden) eine bestimmte Zeitlang nach dem Einschalten des Hauptbetriebschalters nicht betätigt wird.

Betriebsart-Umschalttaste

Durch Drücken der Betriebsart-Umschalttaste können Sie die Betriebsart wechseln. Beim Einschalten wird die Maschine im Normalmodus hochgefahren.

Die einzelnen Modi sind aus der nachstehenden Tabelle ersichtlich.

Modus	Lampe	Beschreibung
Normalmodus	Sowohl die Nulllast-Sanftmoduslampe als auch die Geräuschreduzierungsmoduslampe sind aus.	Die Maschine arbeitet im Normalmodus.
Nulllast-Sanftmodus	Die Nulllast-Sanftmoduslampe leuchtet in Grün auf.	Sie können einen Anlaufschock minimieren und die Maschine reibungslos starten.
Geräuschreduzierungsmodus	Die Geräuschreduzierungsmoduslampe leuchtet in Grün auf.	Sie können den Geräuschpegel beim Mähen verringern.

Schalterfunktion

⚠ WARNUNG: Vergewissern Sie sich vor dem Einsetzen der Akkus stets, dass der Schalthebel ordnungsgemäß funktioniert und beim Loslassen in die Ausgangsstellung zurückkehrt. Der Betrieb der Maschine mit einem fehlerhaften Schalter kann zum Verlust der Kontrolle und zu schweren Personenschäden führen.

HINWEIS: Der Mäher startet nicht, ohne den Schaltknopf zu drücken, selbst wenn der Schalthebel betätigt wird.

HINWEIS: Der Mäher startet möglicherweise nicht aufgrund der Überlastung, wenn Sie versuchen, langes oder dichtes Gras in einem Durchgang zu mähen. Erhöhen Sie in diesem Fall die Mähhöhe.

Diese Maschine ist mit einem Schaltknopf ausgestattet. Falls Sie etwas Ungewöhnliches am Schaltknopf bemerken, stellen Sie den Betrieb sofort ein, und lassen Sie ihn von Ihrem nächsten autorisierten Makita-Servicecenter überprüfen.

1. Installieren Sie die Akkus, und schließen Sie dann die Akkuabdeckung.

2. Drücken Sie den Hauptbetriebschalter.

HINWEIS: Die Hauptbetriebslampe blinkt in Grün, falls Sie den Hauptbetriebschalter drücken, während Sie den Schalthebel ziehen. Lassen Sie den Schalthebel los, bevor Sie den Hauptbetriebschalter drücken.

3. Ziehen Sie den Schalthebel auf sich zu, während Sie den Schaltknopf gedrückt halten. Lassen Sie den Schalthebel los, wenn der Motor anläuft.

► **Abb.21:** 1. Schaltknopf 2. Schalthebel

4. Drücken Sie den Antriebsbügel bei angezogenem Schalthebel nach vorn, und halten Sie ihn dort, um die Hinterräder anzutreiben.

► **Abb.22:** 1. Antriebsbügel

HINWEIS: Sie können die Hinterräder antreiben, indem Sie den Antriebsbügel nach vorn drücken und halten, ohne den Schalthebel anzuziehen.

5. Lassen Sie den Antriebsbügel und den Schalthebel los, um die Maschine anzuhalten.

Einstellen der Mähhöhe

⚠ WARNUNG: Halten Sie niemals Ihre Hand oder Ihren Fuß unter die Mähereinheit, wenn Sie die Mähhöhe einstellen.

⚠ WARNUNG: Vergewissern Sie sich stets, dass der Hebel einwandfrei in der Führungsnut sitzt, bevor Sie den Mäher in Betrieb nehmen.

Die Mähhöhe kann innerhalb des Bereichs zwischen 20 mm und 100 mm eingestellt werden.

Schalten Sie die Maschine aus, ziehen Sie dann den Mähhöhen-Einstellhebel von der Mähereinheit nach außen, und stellen Sie ihn auf die gewünschte Mähhöhe ein.

► **Abb.23:** 1. Mähhöhen-Einstellhebel

Die nachstehende Tabelle zeigt die Beziehung zwischen der Nummer an der Mähereinheit und der ungefähren Mähhöhe.

Nummer	Mähhöhe
1	20 mm
2	26 mm
3	32 mm
4	39 mm
5	47 mm
6	55 mm
7	63 mm
8	74 mm
9	86 mm
10	100 mm

Halten Sie den unteren Bügelgriff mit einer Hand, und verstellen Sie dann den Mähhöhen-Einstellhebel mit der anderen Hand.

► **Abb.24:** 1. Mähhöhen-Einstellhebel 2. Unterer Bügelgriff

HINWEIS: Die Zahlen der Mähhöhe dienen lediglich als Orientierungshilfe. Je nach den Bedingungen des Rasens oder des Bodens kann die tatsächliche Rasenhöhe geringfügig von der eingestellten Höhe abweichen.

HINWEIS: Machen Sie einen Mähetest an einer unauffälligeren Stelle des Rasens, um die gewünschte Höhe zu erhalten.

Grasfüllstandsanzeige

Die Grasfüllstandsanzeige zeigt die Menge des gemähten Grasses an. Wenn der Graskorb nicht voll ist, schwimmt der Indikator, während die Messer rotieren.

► **Abb.25:** 1. Grasfüllstandsanzeige

Wenn der Graskorb fast voll ist, schwimmt der Indikator nicht, während die Messer rotieren. Brechen Sie in diesem Fall den Betrieb sofort ab, und leeren Sie den Korb.

► **Abb.26:** 1. Grasfüllstandsanzeige

HINWEIS: Diese Anzeige ist eine grobe Orientierungshilfe. Je nach den Bedingungen im Korb funktioniert diese Anzeige u. U. nicht richtig.

Einstellen der Bügelgriffhöhe

Die Bügelgriffhöhe kann in zwei Stufen eingestellt werden.

1. Halten Sie den unteren Bügelgriff, und drehen Sie dann den Knopf um 90°, während Sie den Knopf am unteren Bügelgriff ziehen, um den Verriegelungsstift zu lösen. Führen Sie den gleichen Vorgang auf der anderen Seite durch.

► **Abb.27:** 1. Unterer Bügelgriff 2. Knopf

HINWEIS: Das Abstützen des Bügelgriffs erleichtert das Freigeben des Verriegelungsstifts beim Ziehen am Knopf.

2. Stellen Sie die Höhe des Bügelgriffs ein, und drehen Sie dann den Knopf auf beiden Seiten um 90°. Vergewissern Sie sich, dass die Knöpfe sicher fixiert sind.

► **Abb.28:** 1. Knopf

Einstellen der Fahrgeschwindigkeit

► **Abb.29:** 1. Geschwindigkeits-Einstellhebel

Die Fahrgeschwindigkeit kann mit dem Geschwindigkeits-Einstellhebel eingestellt werden. Um die Geschwindigkeit zu verringern, ziehen Sie den Hebel auf sich zu, und um die Geschwindigkeit zu erhöhen, drehen Sie den Hebel nach vorn.

Verwendung des Mulchstopfens

Der Mulchstopfen ermöglicht es Ihnen, das abgeschnittene Gras auf den Boden zurückzuführen, ohne es im Graskorb aufzusammeln. Wenn Sie die Maschine mit dem Mulchstopfen betreiben, nehmen Sie unbedingt den Graskorb bzw. den Auswurfkanal ab.

ANMERKUNG: Wenn Sie die Maschine mit dem Mulchstopfen benutzen, vergewissern Sie sich, dass die Gesamtlänge des Grasses nach dem Mähen 30 mm oder mehr, und die Schnitlänge 15 mm oder weniger beträgt.

► **Abb.30:** (1) 30 mm oder mehr (2) 15 mm oder weniger

Benutzung des Auswurfkanals

Der Auswurfkanal ermöglicht es Ihnen, das abgeschnittene Gras von der rechten Seite der Maschine auf den Boden zurückzuführen, ohne es im Graskorb aufzusammeln. Wenn Sie die Maschine mit dem Auswurfkanal betreiben, nehmen Sie unbedingt den Graskorb und den Mulchstopfen ab.

Verwendung des hinteren Auswurfs

Bei Verwendung des hinteren Auswurfs ist es möglich, das gemähte Gras von der Rückseite der Maschine auf den Boden zurückzuführen, ohne es im Graskorb aufzusammeln. Wenn Sie die Maschine mit dem hinteren Auswurf betreiben, entfernen Sie unbedingt den Mulchstopfen, und den Graskorb oder den Auswurfkanal, und schließen Sie die Rückabdeckung.

Elektronikfunktionen

Für komfortablen Betrieb ist die Maschine mit Elektronikfunktionen ausgestattet.

- **Sanftanlauf beim Fahren**
Die Sanftanlauf-Funktion reduziert Anlaufstöße auf ein Minimum und bewirkt ruckfreies Anlaufen der Maschine.
- **Elektrische Bremse**
Diese Maschine ist mit einer elektrischen Bremse ausgestattet. Falls die Maschine ständig versagt, die Mähmesser nach dem Loslassen des Schalthebels schnell anzuhalten, lassen Sie die Maschine von einem autorisierten Makita-Servicecenter warten.

BETRIEB

Mähen

⚠ WARNUNG: Bevor Sie mit dem Mähen beginnen, entfernen Sie Äste und Steine vom Mähbereich. Beseitigen Sie vorher auch jegliches Unkraut im Mähbereich.

⚠ WARNUNG: Tragen Sie bei der Benutzung des Mähers stets eine Schutzbrille mit Seitenschützern.

⚠ VORSICHT: Falls das geschnittene Gras oder ein Fremdkörper die Mähereinheit verstopft, entfernen Sie unbedingt die Akkus und tragen Sie Handschuhe, bevor Sie das Gras oder den Fremdkörper entfernen.

ANMERKUNG: Verwenden Sie diese Maschine nur zum Mähen von Rasen. Mähen Sie kein Unkraut mit dieser Maschine.

► **Abb.31**

Halten Sie den Bügelgriff beim Mähen mit beiden Händen fest. Die Richtlinie der Mähgeschwindigkeit liegt bei ungefähr 7 bis 14 Meter pro 10 Sekunden.

► **Abb.32**

HINWEIS: Falls beim Mähen von langem oder dichtem Rasen nach dem Mähen Unebenheiten in der Rasenlänge oder ein schlechtes Finish festgestellt werden oder die Motordrehzahl während des Mähens abnimmt, verringern Sie die Mähgeschwindigkeit auf einen Wert, der niedriger als in dieser Anleitung empfohlen ist, oder erhöhen Sie die Mähhöhe.

Die Mittellinien der Vorderräder sind die Richtlinien für die Mähbreite. Mähen Sie in Streifen, indem Sie die Mittellinien als Richtlinien verwenden. Überlappen Sie den vorhergehenden Streifen um eine Hälfte bis ein Drittel, um den Rasen gleichmäßig zu mähen.

► **Abb.33:** 1. Mähbreite 2. Überlappungsbereich 3. Mittellinie

Wechseln Sie jedes Mal die Mährichtung, um zu verhindern, dass sich eine Grasmaserung nur in einer Richtung bildet.

► **Abb.34**

Überprüfen Sie die Höhe des gemähnten Grasses im Graskorb regelmäßig. Entleeren Sie den Graskorb, bevor er ganz voll wird. Vor jeder regelmäßigen Kontrolle muss die Maschine angehalten und ausgeschaltet werden.

ANMERKUNG: Die Benutzung des Mähers mit vollem Graskorb verhindert eine reibungslose Messerdrehung und übt eine zusätzliche Last auf den Motor aus, die zu einem Ausfall führen kann.

Mähen von langem Gras

Versuchen Sie nicht, langes Gras in einem Durchgang zu schneiden. Mähen Sie das Gras statt dessen in mehreren Durchgängen. Lassen Sie ein oder zwei Tage zwischen den Mähdurchgängen offen, bis das Gras gleichmäßig kurz wird.

► **Abb.35**

HINWEIS: Das Mähen von langem Gras in einem Durchgang auf eine kurze Länge kann das Absterben des Rasens verursachen. Außerdem kann das gemähte Gras die Innenseite der Mähereinheit blockieren.

HINWEIS: Falls nach dem Mähen Unebenheiten in der Rasenlänge oder ein schlechtes Finish festgestellt werden, oder falls die Motordrehzahl während des Mähens abnimmt, verringern Sie die Mähgeschwindigkeit, oder erhöhen Sie die Mähhöhe.

Leeren des Graskorbs

⚠ WARNUNG: Um die Unfallgefahr zu reduzieren, sollten Sie den Graskorb regelmäßig auf Beschädigung oder Abschwächung überprüfen. Tauschen Sie den Graskorb nötigenfalls aus.

1. Lassen Sie den Schalthebel und den Antriebsbügel los.
2. Schalten Sie die Maschine aus.
3. Öffnen Sie die Rückabdeckung, und nehmen Sie den Graskorb an seinem Griff heraus.
► **Abb.36:** 1. Rückabdeckung 2. Griff 3. Graskorb
4. Leeren Sie den Graskorb.

WARTUNG

⚠️ WARNUNG: Vergewissern Sie sich immer, dass alle Akkus aus der Maschine entfernt sind, bevor Sie die Maschine lagern oder transportieren oder sich anschicken, eine Inspektion oder Wartung durchzuführen.

⚠️ WARNUNG: Tragen Sie Handschuhe zur Durchführung von Inspektions- oder Wartungsarbeiten.

⚠️ WARNUNG: Tragen Sie bei der Durchführung von Inspektions- oder Wartungsarbeiten stets eine Schutzbrille mit Seitenschützern.

ANMERKUNG: Verwenden Sie auf keinen Fall Benzin, Waschbenzin, Verdünnern, Alkohol oder dergleichen. Solche Mittel können Verfärbung, Verformung oder Rissbildung verursachen.

Um die SICHERHEIT und ZUVERLÄSSIGKEIT dieses Produkts zu gewährleisten, sollten Reparaturen und andere Wartungs- oder Einstellarbeiten nur von Makita-Vertragswerkstätten oder Makita-Kundendienstzentren unter ausschließlicher Verwendung von Makita-Originalersatzteilen ausgeführt werden.

Wartung

1. Entfernen Sie alle Akkus, und schließen Sie dann die Akkuabdeckung.
2. Legen Sie den Mäher auf seine Seite. Beseitigen Sie an der Unterseite des Mäherdecks angesammelten Grasschnitt.
3. Gießen Sie Wasser in Richtung der Unterseite der Maschine, an der das Messer angebracht ist.

ANMERKUNG: Waschen Sie die Maschine nicht mit Hochdruck-Wasserstrahl.

4. Überprüfen Sie alle Muttern, Bolzen, Schrauben usw. auf festen Sitz.
5. Überprüfen Sie die beweglichen Teile auf Beschädigung, Bruch und Verschleiß. Beschädigte oder fehlende Teile sind zu reparieren oder zu ersetzen.
6. Lagern Sie den Mäher an einem sicheren Ort außer Reichweite von Kindern.

ANMERKUNG: Übergießen Sie den in der Abbildung gezeigten Bereich nicht mit Wasser. Übergießen der Motoreinheit mit Wasser kann eine Funktionsstörung der Maschine verursachen.

- **Abb.37:** 1. Bereich, der nicht mit Wasser übergossen werden darf

ANMERKUNG: Gießen Sie kein Wasser auf die Maschine, während sie sich in der aufrechten Position befindet, wie in der Abbildung gezeigt. Falls sich die Maschine in der aufrechten Position befindet, kann Wasser an der Motoreinheit herunterlaufen und eine Funktionsstörung der Maschine verursachen.

- **Abb.38**

Tragen des Mähers

⚠️ VORSICHT: Vergewissern Sie sich vor dem Tragen des Mähers, dass alle Akkus abgenommen sind.

Halten Sie beim Tragen des Mähers den hinteren Handgriff und den unteren Halteteil an der Vorderseite der Maschine mit zwei Personen, wie in der Abbildung gezeigt.

- **Abb.39:** 1. Unterer Halteteil 2. Hinterer Griff

Lagerung

⚠️ VORSICHT: Wenn Sie die Maschine in die aufrechte Position bringen, stellen Sie die Maschine auf eine ebene und stabile Fläche. Wird die Maschine auf eine instabile Fläche gestellt, kann die Maschine umfallen und eine Verletzung verursachen.

Lagern Sie den Mäher an einem kühlen, trockenen und abschließbaren Ort. Lagern Sie Mäher und Ladegerät nicht an Orten, an denen die Temperatur 40 °C erreichen oder überschreiten kann.

1. Entfernen Sie alle Akkus.
2. Drehen Sie den Knopf um 90°, während Sie den Knopf am unteren Bügelgriff ziehen, um den Verriegelungsstift zu lösen. Führen Sie den gleichen Vorgang auf der anderen Seite durch, und klappen Sie dann den Bügelgriff ein.

- **Abb.40:** 1. Knopf

HINWEIS: Das Abstützen des Bügelgriffs erleichtert das Freigeben des Verriegelungsstifts beim Ziehen am Knopf.

3. Drehen Sie den Knopf auf beiden Seiten um 90°. Vergewissern Sie sich, dass die Knöpfe sicher fixiert sind.

- **Abb.41:** 1. Knopf

ANMERKUNG: Achten Sie beim Zusammenklappen des Bügelgriffs darauf, dass die Kabel nicht eingeklemmt werden.

4. Lösen Sie die Rändelmuttern auf beiden Seiten, und klappen Sie dann den oberen Bügelgriff um, wie in der Abbildung gezeigt.

- **Abb.42:** 1. Rändelmutter 2. Oberer Bügelgriff

5. Bringen Sie die Maschine in die aufrechte Position.

HINWEIS: Wenn Sie den Mäher in die aufrechte Position bringen, halten Sie nicht nur den Bügelgriff, sondern den Mäherkörper und den Bügelgriff fest.

6. Verstauen Sie den Graskorb so, wie in der Abbildung gezeigt.

- **Abb.43:** 1. Graskorb

- **Abb.44:** 1. Graskorb

Demontieren oder Montieren des Mähermessers

⚠️ WARNUNG: Das Messer dreht sich nach dem Loslassen des Schalters noch einige Sekunden weiter. Warten Sie mit der Ausführung von Arbeiten, bis das Messer zu einem vollständigen Stillstand kommt.

⚠️ WARNUNG: Entfernen Sie immer alle Akkus, wenn Sie das Messer demontieren oder montieren. Werden nicht alle Akkus entfernt, kann es zu schweren Verletzungen kommen.

⚠️ WARNUNG: Tragen Sie stets Handschuhe bei der Handhabung des Messers.

ANMERKUNG: Benutzen Sie zum Demontieren oder Montieren des Mähermessers den Steckschlüssel, der der Maschine beiliegt.

Entfernen des Mähermessers

1. Kippen Sie den Mäher auf seine Seite, so dass der Mähhöhen-Einstellhebel oben liegt.
2. Um das Messer zu verriegeln, führen Sie den Stift bis zum Anschlag in das Loch am Mäherkörper ein.
3. Drehen Sie die Schraube mit dem Steckschlüssel 17 entgegen dem Uhrzeigersinn.
► **Abb.45:** 1. Mähermesser 2. Stift 3. Steckschlüssel
4. Entfernen Sie die Schraube, und nehmen Sie dann das Mähermesser ab.
► **Abb.46:** 1. Messerhalter 2. Mähermesser 3. Schraube 4. Vorsprung

ANMERKUNG: Vergewissern Sie sich beim Montieren des Mähermessers, dass die Vorsprünge am Messerhalter in die Löcher im Mähermesser passen.

Installieren des Mähermessers

⚠️ WARNUNG: Montieren Sie das Mähermesser sorgfältig. Das Messer hat eine Ober- und Unterseite.

⚠️ WARNUNG: Ziehen Sie dann die Schraube zur Sicherung des Messers im Uhrzeigersinn fest.

⚠️ WARNUNG: Vergewissern Sie sich, dass das Mähermesser und alle Befestigungsteile korrekt montiert und sicher festgezogen sind.

⚠️ WARNUNG: Befolgen Sie beim Auswechseln der Messer stets die Anweisungen in dieser Anleitung.

ANMERKUNG: Denken Sie nach dem Montieren der Mähermesser daran, den Stift von der Mähereinheit zu entfernen.

ANMERKUNG: Ziehen Sie die Schraube zum Montieren des Mähermessers mit einem Anzugsmoment von 19 - 29 N·m an (die Werte dienen nur als Anhaltspunkt).

Zum Montieren der Mähermesser wenden Sie das Demontageverfahren umgekehrt an.

FEHLERSUCHE

Bevor Sie den Reparaturdienst anrufen, führen Sie zunächst Ihre eigene Inspektion durch. Falls Sie ein Problem finden, das nicht in der Anleitung erläutert wird, versuchen Sie nicht, die Maschine zu zerlegen. Wenden Sie sich stattdessen an autorisierte Makita-Kundendienstzentren, und achten Sie darauf, dass stets Makita-Ersatzteile für Reparaturen verwendet werden.

Zustand der Unregelmäßigkeit	Wahrscheinliche Ursache (Funktionsstörung)	Abhilfemaßnahme
Der Mäher startet nicht.	Der Akku ist nicht eingesetzt.	Setzen Sie einen geladenen Akku ein.
	Akkustörung (Unterspannung)	Laden Sie die Akkus auf. Falls Laden nichts nützt, tauschen Sie die Akkus aus.
Der Motor bleibt nach kurzer Zeit stehen.	Der Ladestand der Akkus ist niedrig.	Laden Sie die Akkus auf. Falls Laden nichts nützt, tauschen Sie die Akkus aus.
	Die Schnitthöhe ist zu niedrig.	Vergrößern Sie die Schnitthöhe.
	Grasschnitt hat sich im Mäher angesammelt.	Entfernen Sie das angesammelte Gras vom Mäher.
Der Motor erreicht die Maximaldrehzahl nicht.	Die Akkus sind falsch eingesetzt.	Setzen Sie die Akkus gemäß der Beschreibung in dieser Anleitung ein.
	Die Akkuleistung lässt nach.	Laden Sie die Akkus auf. Falls Laden nichts nützt, tauschen Sie die Akkus aus.
	Das Antriebssystem funktioniert nicht korrekt.	Wenden Sie sich bezüglich einer Reparatur an Ihr autorisiertes Kundendienstzentrum.
Das Mähermesser dreht sich nicht: ⇒ Stoppen Sie den Mäher unverzüglich!	Ein Fremdkörper, wie z. B. ein Ast, hat sich in der Nähe des Messers verklemmt.	Entfernen Sie den Fremdkörper.
	Das Antriebssystem funktioniert nicht korrekt.	Wenden Sie sich bezüglich einer Reparatur an Ihr autorisiertes Kundendienstzentrum.
Ungewöhnliche Vibration: ⇒ Stoppen Sie den Mäher unverzüglich!	Das Messer ist unausgeglichen, übermäßig oder ungleichmäßig abgenutzt.	Tauschen Sie das Messer aus.

SONDERZUBEHÖR

⚠ VORSICHT: Die folgenden Zubehörteile oder Vorrichtungen werden für den Einsatz mit der in dieser Anleitung beschriebenen Makita-Maschine empfohlen. Die Verwendung anderer Zubehörteile oder Vorrichtungen kann eine Verletzungsgefahr darstellen. Verwenden Sie Zubehörteile oder Vorrichtungen nur für ihren vorgesehenen Zweck.

Wenn Sie weitere Einzelheiten bezüglich dieser Zubehörteile benötigen, wenden Sie sich bitte an Ihre Makita-Kundendienststelle.

- Mähermesser
- Original-Makita-Akku und -Ladegerät

HINWEIS: Manche Teile in der Liste können als Standardzubehör im Produktpaket enthalten sein. Sie können von Land zu Land unterschiedlich sein.

DATI TECNICI

Modello:		LM001G	LM002G
Larghezza di taglio (diametro lama)		480 mm	534 mm
Velocità a vuoto	Modalità normale	3.200 min ⁻¹	2.800 min ⁻¹
	Modalità morbida a vuoto	Da 2.500 a 3.200 min ⁻¹	Da 2.300 a 2.800 min ⁻¹
	Modalità con riduzione del rumore	2.500 min ⁻¹	2.300 min ⁻¹
Numero parte della lama di sostituzione per tosaerba	Lama diritta per tosaerba	191V97-3	191V96-5
	Lama diritta per tosaerba*1	-	191W87-2
	Lama per pacciamatura	191Y64-6	191Y65-4
Dimensioni (L x P x A)	durante il funzionamento	L: Da 1.670 mm a 1.745 mm P: 550 mm A: Da 965 mm a 1.075 mm	L: Da 1.740 mm a 1.810 mm P: 595 mm A: Da 970 mm a 1.080 mm
	quando è riposto (senza cestello erba)	585 mm x 550 mm x 900 mm	580 mm x 595 mm x 930 mm
Velocità di movimento		1,5 - 5,0 km/h	
Tensione nominale		36 V - 40 V CC max	
Peso netto		28,0 - 33,0 kg	29,3 - 34,5 kg
Grado di protezione		IPX4	

*1. Lama del tosaerba che consente una raccolta più efficiente dell'erba.

- A causa del nostro programma continuativo di ricerca e sviluppo, i dati tecnici sono soggetti a modifiche senza preavviso.
- I dati tecnici possono variare da nazione a nazione.
- Il peso può variare a seconda dell'accessorio o degli accessori, inclusa la cartuccia della batteria. La combinazione più leggera e quella più pesante, secondo la procedura EPTA 01/2014, sono indicate nella tabella.

Cartuccia della batteria e caricabatterie applicabili

Cartuccia della batteria	BL4020 / BL4025 / BL4040* / BL4040F* / BL4050F* / BL4080F* * : Batteria consigliata
Caricabatterie	DC40RA / DC40RB / DC40RC / DC40WA




- Alcune cartucce delle batterie e alcuni caricabatterie elencati sopra potrebbero non essere disponibili a seconda della propria area geografica di residenza.

⚠AVVERTIMENTO: Utilizzare solo le cartucce delle batterie e i caricabatterie elencati sopra. L'utilizzo di altre cartucce delle batterie e di altri caricabatterie potrebbe causare lesioni personali e/o un incendio.

⚠AVVERTIMENTO: Non utilizzare un alimentatore con cavo, ad esempio un adattatore per batterie o un gruppo di alimentazione portatile, insieme a questa macchina. Il cavo di alimentatori di questo tipo potrebbe interferire con il funzionamento e risultare in lesioni personali.

Simboli

Le figure seguenti mostrano i simboli utilizzati per l'apparecchio. Accertarsi di comprenderne il significato prima dell'uso.

	Adottare cura e attenzione particolari.
	Leggere il manuale d'uso.
	Pericolo; fare attenzione agli oggetti scagliati.



La distanza tra l'utensile e gli astanti deve essere di almeno 15 m.



Non posizionare mai mani e piedi in prossimità della lama del tosaerba sotto il tosaerba. Le lame del tosaerba continuano a girare dopo lo spegnimento del motore.



Avvertenza: scollegare la batteria prima della manutenzione.



Pericolo di natura elettrica. Il contatto con acqua può causare scosse elettriche.



Non versare acqua.



Solo per le nazioni dell'EU
A causa della presenza di componenti pericolosi nelle apparecchiature, i rifiuti di apparecchiature elettriche ed elettroniche, accumulatori e batterie potrebbero produrre un impatto negativo sull'ambiente e sulla salute umana. Non smaltire elettrodomestici elettrici ed elettronici o batterie insieme ai rifiuti domestici! In conformità alla direttiva europea sui rifiuti di apparecchiature elettriche ed elettroniche (RAEE), sugli accumulatori e le batterie, nonché sui rifiuti di accumulatori e batterie, e al suo adattamento alle normative nazionali, i rifiuti di apparecchiature elettriche ed elettroniche, batterie e accumulatori vanno conservati separatamente e conferiti a un punto di raccolta separato per i rifiuti comunali, operando in conformità alle normative per la protezione dell'ambiente. Tale requisito viene indicato mediante il simbolo del bidone della spazzatura con ruote barrato apposto sull'apparecchio.



Livello di potenza sonora garantita in base alla Direttiva rumore macchine all'aperto UE.



Livello di potenza sonora in base alla normativa sul controllo del rumore NSW australiana

Utilizzo previsto

La macchina è destinata alla tosatura di prati.

Rumore

Livello tipico di rumore pesato A determinato in base allo standard EN62841-4-3:

Modello LM001G

Livello di potenza sonora misurato (L_{WA}): 91 dB (A)
Livello di potenza sonora garantito (L_{WA}): 94 dB (A)
Livello di pressione sonora (L_{pA}): 81 dB (A)
Incertezza per il livello di pressione sonora (K): 3 dB (A)

Modello LM002G

Livello di potenza sonora misurato (L_{WA}): 91 dB (A)
Livello di potenza sonora garantito (L_{WA}): 94 dB (A)
Livello di pressione sonora (L_{pA}): 81 dB (A)
Incertezza per il livello di pressione sonora (K): 3 dB (A)

NOTA: Il valore o i valori dichiarati delle emissioni di rumori sono stati misurati in conformità a un metodo standard di verifica, e possono essere utilizzati per confrontare un utensile con un altro.

NOTA: Il valore o i valori dichiarati delle emissioni di rumori possono venire utilizzati anche per una valutazione preliminare dell'esposizione.

AVVERTIMENTO: Indossare protezioni per le orecchie.

AVVERTIMENTO: L'emissione di rumori durante l'utilizzo effettivo dell'utensile elettrico può variare rispetto al valore o ai valori dichiarati, a seconda dei modi in cui viene utilizzato l'utensile e specialmente a seconda di che tipo di pezzo venga lavorato.

AVVERTIMENTO: Accertarsi di identificare misure di sicurezza per la protezione dell'operatore che siano basate su una stima dell'esposizione nelle condizioni effettive di utilizzo (tenendo conto di tutte le parti del ciclo operativo, ad esempio del numero di spegnimenti dell'utensile e di quando giri a vuoto, oltre al tempo di attivazione).

Vibrazioni

Valore totale delle vibrazioni (somma vettoriale triassiale) determinato in base allo standard EN62841-4-3:

Modello LM001G

Emissione di vibrazioni (a_h): 2,5 m/s² o inferiore
Incertezza (K): 1,5 m/s²

Modello LM002G

Emissione di vibrazioni (a_h): 2,5 m/s² o inferiore
Incertezza (K): 1,5 m/s²

NOTA: Il valore o i valori complessivi delle vibrazioni dichiarati sono stati misurati in conformità a un metodo standard di verifica, e possono essere utilizzati per confrontare un utensile con un altro.

NOTA: Il valore o i valori complessivi delle vibrazioni dichiarati possono venire utilizzati anche per una valutazione preliminare dell'esposizione.

AVVERTIMENTO: L'emissione delle vibrazioni durante l'utilizzo effettivo dell'utensile elettrico può variare rispetto al valore o ai valori dichiarati, a seconda dei modi in cui viene utilizzato l'utensile, specialmente a seconda di che tipo di pezzo venga lavorato.

AVVERTIMENTO: Accertarsi di identificare misure di sicurezza per la protezione dell'operatore che siano basate su una stima dell'esposizione nelle condizioni effettive di utilizzo (tenendo conto di tutte le parti del ciclo operativo, ad esempio del numero di spegnimenti dell'utensile e di quando giri a vuoto, oltre al tempo di attivazione).

Dichiarazioni di conformità

Solo per i paesi europei

Le Dichiarazioni di conformità sono incluse nell'Allegato A al presente manuale d'uso.

AVVERTENZE DI SICUREZZA

Avvertenze generali relative alla sicurezza dell'utensile elettrico

AVVERTIMENTO Leggere tutte le avvertenze di sicurezza, le istruzioni, le illustrazioni e i dati tecnici forniti insieme a questo utensile elettrico. La mancata osservanza di tutte le istruzioni seguenti potrebbe risultare in scosse elettriche, incendi e/o gravi lesioni personali.

Conservare tutte le avvertenze e le istruzioni come riferimento futuro.

Il termine "utensile elettrico" nelle avvertenze si riferisce sia all'utensile elettrico (cablato) nel funzionamento alimentato da rete elettrica che all'utensile elettrico (a batteria) nel funzionamento alimentato a batteria.

Avvertenze di sicurezza relative al tosaerba a batteria

1. **Non utilizzare il tosaerba in condizioni meteorologiche avverse, specialmente quando sussiste il rischio di fulmini.** In tal modo si riduce il rischio di venire colpiti da un fulmine.
2. **Verificare accuratamente l'eventuale presenza di animali selvatici nell'area in cui si deve utilizzare il tosaerba.** Gli animali selvatici potrebbero venire feriti dal tosaerba durante l'uso.
3. **Verificare accuratamente l'eventuale presenza di pietre, legnetti, fili elettrici, ossa e altri corpi estranei nell'area in cui si deve utilizzare il tosaerba.** Gli oggetti scagliati possono causare lesioni personali.
4. **Prima di utilizzare il tosaerba, ispezionarlo sempre visivamente per verificare che la lama e il gruppo lama non siano usurati o danneggiati.** Parti usurate o danneggiate incrementano il rischio di lesioni personali.
5. **Controllare spesso se il raccogliatore erba presenti segni di usura o deterioramento.** Un raccogliatore erba usurato o danneggiato potrebbe incrementare il rischio di lesioni personali.
6. **Tenere le protezioni installate. Le protezioni devono essere perfettamente funzionanti e montate correttamente.** Una protezione allentata, danneggiata o che non funzioni correttamente potrebbe risultare in lesioni personali.
7. **Mantenere tutte le prese d'aria di raffreddamento prive di detriti.** Prese d'aria ostruite e detriti potrebbero causare surriscaldamenti o rischi di incendio.
8. **Durante l'uso del tosaerba, indossare sempre calzature antiscivolo e protettive. Non far funzionare il tosaerba a piedi nudi o indossando sandali aperti.** Questa precauzione riduce la possibilità di lesioni personali ai piedi dovute al contatto con la lama in movimento.
9. **Mentre si utilizza il tosaerba, indossare sempre pantaloni lunghi.** La pelle esposta incrementa la probabilità di lesioni personali dovute a oggetti scagliati.
10. **Non far funzionare il tosaerba nell'erba bagnata. Camminare, non correre mai.** Questa precauzione riduce il rischio di scivolate e cadute, che potrebbero causare lesioni personali.
11. **Non far funzionare il tosaerba su pendii eccessivamente ripidi.** Questa precauzione riduce il rischio di perdite di controllo, scivolate e cadute, che potrebbero causare lesioni personali.
12. **Quando si lavora sui pendii, accertarsi sempre di mantenere un saldo equilibrio sui piedi, lavorare sempre trasversalmente alla facciata dei pendii, mai verso l'alto o verso il basso, e adottare estrema cautela quando si cambia direzione.** Questa precauzione riduce il rischio di perdite di controllo, scivolate e cadute, che potrebbero causare lesioni personali.
13. **Adottare estrema cautela quando si inverte il movimento o si tira il tosaerba verso di sé. Fare sempre attenzione all'ambiente circostante.** Questa precauzione riduce il rischio di inciampare durante l'uso.

14. **Non toccare le lame e altre parti mobili pericolose mentre sono ancora in movimento.** Questa precauzione riduce il rischio di lesioni personali dovute alle parti mobili.
15. **Quando si intende rimuovere materiale inceppato o pulire il tosaerba, accertarsi che tutti gli interruttori di accensione siano disattivati e che la batteria sia stata scollegata.** Il funzionamento imprevisto del tosaerba potrebbe causare gravi lesioni personali.

CONSERVARE LE PRESENTI ISTRUZIONI.

⚠AVVERTIMENTO: NON lasciare che la comodità o la familiarità d'uso con il prodotto (acquisita con l'uso ripetuto) sostituiscano la stretta osservanza delle norme di sicurezza.

L'USO IMPROPRIO o la mancata osservanza delle norme di sicurezza riportate nel presente manuale di istruzioni potrebbero causare lesioni personali gravi.

ISTRUZIONI DI SICUREZZA IMPORTANTI

⚠AVVERTIMENTO: Leggere tutte le avvertenze relative alla sicurezza e tutte le istruzioni. La mancata osservanza delle avvertenze e delle istruzioni può risultare in scosse elettriche, incendi e/o gravi lesioni personali.

Conservare tutte le avvertenze e le istruzioni come riferimento futuro.

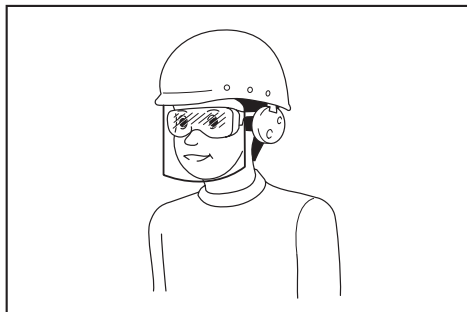
Addestramento

1. **Leggere con attenzione le istruzioni.** Familiarizzare con i controlli e con l'utilizzo corretto del tosaerba.
2. **Non consentire mai l'uso del tosaerba a bambini o persone che non abbiano familiarità con le presenti istruzioni.** Le normative locali vigenti potrebbero limitare l'età dell'operatore.
3. **Non far funzionare mai il tosaerba in presenza di persone, specialmente bambini, o di animali nelle vicinanze.**
4. **Tenere presente che l'operatore o l'utilizzatore è responsabile degli incidenti o dei pericoli che possono capitare ad altre persone o alle loro proprietà.**
5. **I bambini devono essere sorvegliati, per accertarsi che non giochino con il tosaerba.**
6. **Condizione fisica - Non utilizzare il tosaerba sotto l'effetto di droghe, alcolici o di qualsiasi farmaco.**

Preparazione

1. **Durante il funzionamento del tosaerba, indossare sempre calzature robuste e pantaloni lunghi.** Non far funzionare il tosaerba a piedi nudi o indossando sandali aperti. Evitare di indossare indumenti o gioielli non aderenti o che includano cordoni o legacci pendenti. Potrebbero restare impigliati nelle parti mobili.

2. Prima dell'uso, ispezionare sempre visivamente il tosaerba alla ricerca di eventuali protezioni o barriere danneggiate, mancanti o smarrite.
3. Prima di tagliare l'erba, accertarsi che non vi siano altre persone nell'area di lavoro. Qualora qualcuno entri nell'area di lavoro, arrestare il tosaerba.
4. Indossare sempre occhiali protettivi per proteggere gli occhi da lesioni personali, quando si utilizzano utensili elettrici. Gli occhiali devono essere conformi allo standard ANSI Z87.1 negli Stati Uniti, allo standard EN 166 in Europa o allo standard AS/NZS 1336 in Australia/Nuova Zelanda. In Australia/Nuova Zelanda, è obbligatorio per legge indossare anche una visiera per proteggere il volto.



È responsabilità del datore di lavoro far rispettare l'utilizzo delle attrezzature protettive di sicurezza appropriate da parte degli operatori degli utensili e di altre persone nell'area di lavoro e nelle immediate vicinanze.

5. Prima dell'uso, controllare con cura che le lame o i bulloni delle lame non presentino spaccature o altri danni. Sostituire immediatamente lame o bulloni delle lame spaccati o danneggiati.
 6. Prima di tagliare l'erba, rimuovere oggetti estranei quali sassi, cavi, bottiglie, ossi e grossi stecchi dall'area di lavoro, per evitare lesioni personali o danni al tosaerba.
 7. Gli oggetti colpiti dalla lama del tosaerba possono causare gravi lesioni alle persone. Il prato va sempre esaminato attentamente e ripulito da tutti gli oggetti, prima di ciascun taglio.
 8. Fare attenzione a buche, solchi, cunette, pietre o altri oggetti nascosti. Un terreno irregolare potrebbe causare un incidente dovuto a scivolamento e caduta. L'erba alta può nascondere ostacoli.
 9. **Utilizzare attrezzature di protezione personale. Indossare sempre occhiali di protezione.** Attrezzature di protezione quali maschere anti-polvere, scarpe di sicurezza antiscivolo, elmetti o protezioni per le orecchie utilizzati per le condizioni appropriate riducono le lesioni personali.
- Funzionamento**
1. **Non allungarsi eccessivamente. Mantenere sempre l'equilibrio. Accertarsi sempre di mantenere i piedi appoggiati saldamente sui pendii. Camminare, non correre mai.**
 2. Arrestare il tosaerba e spegnere la macchina, quindi accertarsi che tutte le parti mobili si siano arrestate completamente:
 - ogni volta che si lascia il tosaerba,
 - prima di rimuovere le occlusioni o di distruggere lo scivolo,
 - prima di controllare, pulire o lavorare sul tosaerba,
 - dopo che il tosaerba ha colpito un oggetto estraneo. Ispezionare il tosaerba alla ricerca di danni ed effettuare le riparazioni prima di riavviarlo e di farlo funzionare,
 - ogni volta che il tosaerba inizia a vibrare in modo anomalo.
 3. Non utilizzare mai il tosaerba con protezioni o barriere difettose, oppure senza aver montato i dispositivi di sicurezza, ad esempio i deflettori e/o il cestello erba.
 4. Evitare di utilizzare il tosaerba in condizioni meteorologiche avverse, specialmente quando sussiste il rischio di fulmini.
 5. Indossare sempre protezioni per gli occhi e scarpe resistenti mentre si utilizza il tosaerba.
 6. Far funzionare il tosaerba esclusivamente di giorno o con una buona illuminazione artificiale.
 7. Accendere con attenzione il tosaerba seguendo le istruzioni e con i piedi ben lontani dalle lame.
 8. Fare attenzione a prevenire lesioni personali a mani e piedi causate dalle lame del tosaerba.
 9. Accertarsi sempre di mantenere le aperture di ventilazione libere da detriti.
 10. Tagliare l'erba di traverso lungo la faccia dei pendii, mai procedendo su e giù. Fare la massima attenzione quando si cambia direzione sui pendii. Non tagliare l'erba su pendii eccessivamente ripidi.
 11. Adottare estrema cautela quando si inverte il movimento o si tira il tosaerba verso di sé.
 12. Arrestare le lame, qualora sia necessario inclinare il tosaerba per il trasporto quando si intende attraversare superfici non erbose, nonché quando lo si trasporta sul luogo di utilizzo e lo si porta via da quest'ultimo.
 13. Non inclinare il tosaerba quando si accende il motore, tranne quando è necessario inclinarlo per avviarlo. In questo caso, non inclinarlo più di quanto sia assolutamente necessario, e sollevare solo la parte lontana dall'operatore. Accertarsi sempre che entrambe le mani siano nella posizione d'uso, prima di riportare il tosaerba al suolo.
 14. Non mettere le mani o i piedi in prossimità delle parti in rotazione o sotto queste ultime. Restare sempre a distanza dall'apertura di scarico.
 15. Non trasportare il tosaerba mentre è acceso.
 16. Evitare di far funzionare il tosaerba sull'erba bagnata.
 17. Mantenere sempre una salda presa sul manubrio.
 18. Quando si intende sollevare o mantenere il tosaerba, non afferrare mai le lame o i bordi taglienti esposti.

19. Tenere mani e piedi lontani dalle lame in rotazione. **Attenzione:** le lame continuano a girare per inerzia, dopo lo spegnimento del tosaerba.
20. Arrestare immediatamente l'uso qualora si noti qualcosa di anomalo. Spegnerne il tosaerba. Quindi, ispezionare il tosaerba.
21. Qualora il tosaerba disponga della funzione di regolazione dell'altezza di taglio, non tentare mai di effettuare regolazioni dell'altezza di taglio mentre il tosaerba è in funzione.
22. Rilasciare la leva interruttore e attendere l'arresto della rotazione della lama prima di attraversare vialetti d'accesso, marciapiedi, strade e qualsiasi terreno coperto di ghiaia. Spegnerne la macchina anche se si intende lasciare il tosaerba, sporgersi per sollevare o rimuovere qualcosa dal proprio percorso, o per qualsiasi altro motivo che potrebbe distrarre l'operatore da ciò che sta facendo.
23. Qualora il tosaerba colpisca un oggetto estraneo, attenersi alla procedura seguente:
 - Arrestare il tosaerba, rilasciare la leva interruttore e attendere che la lama si arresti completamente.
 - Rimuovere la cartuccia della batteria.
 - Ispezionare attentamente il tosaerba alla ricerca di eventuali danni.
 - Sostituire la lama, qualora presenti un qualsiasi danno. Riparare eventuali danni prima di riavviare e continuare a utilizzare il tosaerba.
24. Non avviare il tosaerba mentre si sta in piedi davanti all'apertura di scarico.
25. Qualora il tosaerba inizi a vibrare in modo anomalo (controllare immediatamente)
 - ispezionarlo alla ricerca di eventuali danni,
 - sostituire o riparare eventuali parti danneggiate,
 - controllare e serrare eventuali parti allentate.
26. Non rivolgere mai il materiale che viene scaricato verso alcuna persona. Evitare di scaricare il materiale contro pareti oppure ostacoli. Il materiale potrebbe rimbalzare verso l'operatore. Arrestare la lama quando si intende attraversare superfici di ghiaia.
27. **Non tirare il tosaerba all'indietro, se non assolutamente necessario.** Quando si è costretti a far arretrare il tosaerba da una recinzione o un altro ostacolo simile, guardare in basso e all'indietro, prima e durante il movimento all'indietro.
28. **Spegnerne il motore e attendere che la lama si sia arrestata completamente, prima di rimuovere il raccoglitore erba.** Fare attenzione: le lame continuano a muoversi per inerzia, dopo lo spegnimento.
29. Quando si utilizza la macchina su suolo fangoso, pendii bagnati o ubicazioni scivolose, fare attenzione al proprio appoggio sui piedi.
30. Non immergere la macchina in una pozzanghera.
31. Quando si utilizza la macchina, fare attenzione a tubazioni e cablaggi elettrici.

Manutenzione e conservazione

1. Per la massima sicurezza, sostituire le parti usurate o danneggiate. Utilizzare esclusivamente pezzi di ricambio e accessori originali.

2. Ispezionare ed eseguire la manutenzione del tosaerba a intervalli regolari.
3. Conservare il tosaerba fuori dalla portata dei bambini, quando non è in uso.
4. Mantenere serrati tutti i bulloni, i dadi e le viti, per assicurare che l'apparecchio sia in condizioni di lavoro sicure.
5. Controllare spesso se il cestello erba presenti segni di usura o di deterioramento. Prima di riporre il cestello erba, accertarsi sempre che sia vuoto. Per garantire la sicurezza, sostituire un cestello erba usurato con un nuovo ricambio di fabbrica.
6. Utilizzare esclusivamente le lame originali del produttore specificate nel presente manuale.
7. Fare attenzione durante la regolazione del tosaerba, in modo da evitare che le dita restino incastrate tra le lame in movimento e le parti fisse del tosaerba.
8. Controllare a intervalli frequenti che il bullone di montaggio della lama sia serrato correttamente.
9. Lasciare sempre raffreddare il tosaerba prima di riporlo.
10. Prima di un intervento sulle lame, tenere presente che, anche se la fonte di alimentazione è disattivata, le lame possono venire comunque spostate.
11. Non rimuovere né manomettere i dispositivi di sicurezza. Controllare a intervalli regolari che funzionino correttamente. Non fare alcunché per interferire con la funzione designata di un dispositivo di sicurezza o per ridurre la protezione fornita da un dispositivo di sicurezza.
12. Non lasciare la macchina incustodita all'aperto sotto la pioggia.
13. Quando si intende riporre la macchina, evitare la luce solare diretta e la pioggia, e riporla in un'ubicazione in cui non sia soggetta a temperature estremamente elevate o umidità.

Uso e manutenzione degli strumenti a batterie

1. **Ricaricare solo con il caricabatterie specificato dal produttore.** Un caricabatterie appropriato per un tipo di batteria potrebbe creare un rischio di incendio, se utilizzato con un'altra batteria.
2. **Utilizzare gli utensili elettrici solo con le batterie specificamente designate.** L'uso di qualsiasi altra batteria potrebbe creare un rischio di lesioni personali e incendi.
3. **Quando la batteria non è in uso, tenerla lontana da altri oggetti metallici, quali graffette, monete, chiavi, chiodi, viti o altri piccoli oggetti metallici, che potrebbero fare contatto tra terminali diversi.** Il cortocircuito dei terminali della batteria può causare ustioni o incendi.
4. **In condizioni di uso improprio, la batteria potrebbe emettere un liquido: evitare il contatto con tale liquido.** Qualora si verifichi un contatto accidentale con il liquido, lavare abbondantemente con acqua. Qualora il liquido entri in contatto con gli occhi, richiedere anche assistenza medica. Il liquido espulso dalla batteria può causare irritazioni o ustioni.

5. **Non utilizzare una batteria o un utensile che siano danneggiati o che siano stati modificati.** Batterie danneggiate o modificate potrebbero mostrare un comportamento imprevedibile che può risultare in incendi, esplosioni o nel rischio di lesioni personali.
6. **Non esporre una batteria o un utensile al fuoco o a temperature eccessive.** L'esposizione al fuoco o a temperature superiori ai 130 °C potrebbe causare un'esplosione.
7. **Attenersi a tutte le istruzioni relative alla carica e non caricare la batteria o l'utensile al di fuori della gamma di temperature specificata nelle istruzioni.** Una carica inappropriata o a temperature al di fuori della gamma specificata potrebbe danneggiare la batteria e incrementare il rischio di incendio.

Sicurezza elettrica e della batteria

1. **Non smaltire le batterie nel fuoco.** La cella potrebbe esplodere. Controllare le normative locali per eventuali istruzioni speciali relative allo smaltimento.
2. **Non aprire né fare a pezzi le batterie.** L'elettrolita rilasciato è corrosivo, e potrebbe causare danni agli occhi o alla pelle. Inoltre, potrebbe essere tossico, se inghiottito.
3. **Non caricare la batteria sotto la pioggia o in condizioni di bagnato.**
4. **Non caricare la batteria all'aperto.**
5. **Non maneggiare con le mani bagnate la carica-batterie, inclusa la spina del caricabatterie e i terminali di quest'ultimo.**
6. **Non sostituire la batteria sotto la pioggia.**
7. **Non far bagnare i terminali della batteria con liquidi, ad esempio con acqua, né sommergere la batteria. Non lasciare la batteria sotto la pioggia e non caricarla, utilizzarla o riporla in un'ubicazione umida o bagnata.** Qualora i terminali si bagnino o del liquido penetri all'interno della batteria, quest'ultima potrebbe venire cortocircuitata, e sussiste il rischio di surriscaldamento, incendio o esplosione.
8. **Dopo aver rimosso la batteria dalla macchina o dal caricabatterie, accertarsi di applicare il cappuccio della batteria su quest'ultima e di riporre la batteria in un'ubicazione asciutta.**
9. **Non sostituire la batteria con le mani bagnate.**
10. **Evitare gli ambienti pericolosi. Non utilizzare la macchina in luoghi umidi o bagnati né esporla alla pioggia.** La penetrazione di acqua nella macchina incrementa il rischio di scosse elettriche.
11. **Qualora la cartuccia della batteria si bagni, far fuoriuscire tutta l'acqua dall'interno, quindi pulirla con un panno asciutto. Far asciugare completamente la cartuccia della batteria in un luogo asciutto, prima dell'uso.**

Assistenza tecnica

1. **Per l'assistenza tecnica relativa all'utensile elettrico, rivolgersi a un riparatore qualificato che utilizzi solo pezzi di ricambio identici.** In tal modo, si garantisce che la sicurezza dell'utensile elettrico venga preservata.

2. **Non effettuare mai interventi di assistenza su batterie danneggiate.** Gli interventi di assistenza relativi alle batterie vanno effettuati esclusivamente dal produttore o da centri di assistenza autorizzati.

CONSERVARE LE PRESENTI ISTRUZIONI.

AVVERTIMENTO: NON lasciare che la comodità o la familiarità d'uso con il prodotto (acquisita con l'uso ripetuto) sostituiscano la stretta osservanza delle norme di sicurezza.

L'USO IMPROPRIO o la mancata osservanza delle norme di sicurezza riportate nel presente manuale di istruzioni potrebbero causare lesioni personali gravi.

Istruzioni di sicurezza importanti per la cartuccia della batteria

1. **Prima di utilizzare la cartuccia della batteria, leggere tutte le istruzioni e le avvertenze riportate (1) sul caricabatteria, (2) sulla batteria e (3) sul prodotto che utilizza la batteria.**
2. **Non smantellare né manomettere la cartuccia della batteria.** In caso contrario, si potrebbe causare un incendio, calore eccessivo o un'esplosione.
3. **Qualora il tempo di utilizzo si riduca eccessivamente, interrompere immediatamente l'utilizzo dell'utensile. In caso contrario, si può incorrere nel rischio di surriscaldamento, possibili ustioni e persino un'esplosione.**
4. **Qualora l'elettrolita entri in contatto con gli occhi, sciacquarli con acqua pulita e richiedere immediatamente assistenza medica. Questa eventualità può risultare nella perdita della vista.**
5. **Non cortocircuitare la cartuccia della batteria:**
 - (1) **Non toccare i terminali con alcun materiale conduttivo.**
 - (2) **Evitare di conservare la cartuccia della batteria in un contenitore insieme ad altri oggetti metallici quali chiodi, monete, e così via.**
 - (3) **Non esporre la cartuccia della batteria all'acqua o alla pioggia.** Un cortocircuito della batteria può causare un grande flusso di corrente, un surriscaldamento, possibili ustioni e persino un'esplosione.
6. **Non conservare e utilizzare l'utensile e la cartuccia della batteria in ubicazioni in cui la temperatura possa raggiungere o superare i 50 °C.**
7. **Non incenerire la cartuccia della batteria anche qualora sia gravemente danneggiata o completamente esaurita. La cartuccia della batteria può esplodere se a contatto con il fuoco.**
8. **Non inchiodare, tagliare, schiacciare, lanciare o far cadere la cartuccia della batteria, né farla urtare con forza contro un oggetto duro.** Questi comportamenti potrebbero risultare in un incendio, calore eccessivo o un'esplosione.

9. **Non utilizzare una batteria danneggiata.**
10. **Le batterie a ioni di litio contenute sono soggette ai requisiti del regolamento sul trasporto di merci pericolose (Dangerous Goods Legislation).**
Per trasporti commerciali, ad esempio da parte di terzi o spedizionieri, è necessario osservare dei requisiti speciali sull'imballaggio e sull'etichetta. Per la preparazione dell'articolo da spedire, è richiesta la consulenza di un esperto in materiali pericolosi. Attenersi anche alle normative nazionali, che potrebbero essere più dettagliate. Nastrare o coprire i contatti aperti e imballare la batteria in modo tale che non si possa muovere liberamente all'interno dell'imballaggio.
11. **Quando si intende smaltire la cartuccia della batteria, rimuoverla dall'utensile e smaltirla in un luogo sicuro. Attenersi alle normative locali relative allo smaltimento della batteria.**
12. **Utilizzare le batterie esclusivamente con i prodotti specificati da Makita.** L'installazione delle batterie in prodotti non compatibili potrebbe risultare in incendi, calore eccessivo, esplosioni o perdite di liquido elettrolitico.
13. **Se l'utensile non viene utilizzato per un periodo di tempo prolungato, la batteria deve essere rimossa dall'utensile.**
14. **Durante e dopo l'uso, la cartuccia della batteria potrebbe assorbire calore, che può causare ustioni o ustioni a bassa temperatura. Fare attenzione a come si maneggiano le cartucce delle batterie estremamente calde.**
15. **Non toccare i terminali dell'utensile subito dopo l'uso, in quanto potrebbero diventare estremamente caldi al punto da causare ustioni.**
16. **Evitare di far incastrare schegge, polveri o terreno nei terminali, nei fori e nelle scanalature della cartuccia della batteria.** In caso contrario, l'utensile o la cartuccia della batteria potrebbero riscaldarsi, prendere fuoco, scoppiare o guastarsi, causando ustioni o lesioni personali.
17. **A meno che l'utensile supporti l'uso in prossimità di linee elettriche ad alta tensione, non utilizzare la cartuccia della batteria in prossimità di linee elettriche ad alta tensione.** In caso contrario, si potrebbe causare un malfunzionamento o la rottura dell'utensile o della cartuccia della batteria.
18. **Tenere la batteria lontana dai bambini.**

CONSERVARE LE PRESENTI ISTRUZIONI.

⚠ATTENZIONE: Utilizzare solo batterie originali Makita. L'utilizzo di batterie Makita non originali, o di batterie che siano state alterate, potrebbe risultare nello scoppio della batteria, causando incendi, lesioni personali e danni. Inoltre, ciò potrebbe invalidare la garanzia Makita per l'utensile e il caricabatterie Makita.

Suggerimenti per preservare la durata massima della batteria

1. Caricare la cartuccia della batteria prima che si scarichi completamente. Smettere sempre di utilizzare l'utensile e caricare la cartuccia della batteria quando si nota che la potenza dell'utensile è diminuita.
2. **Non ricaricare mai una cartuccia della batteria completamente carica. La sovraccarica riduce la vita utile della batteria.**
3. **Caricare la cartuccia della batteria a una temperatura ambiente compresa tra 10 °C e 40 °C. Lasciar raffreddare una cartuccia della batteria prima di caricarla.**
4. **Quando non si utilizza la cartuccia della batteria, rimuoverla dall'utensile o dal caricabatterie.**
5. **Caricare la cartuccia della batteria se non la si è utilizzata per un periodo di tempo prolungato (più di sei mesi).**

MONTAGGIO

⚠AVVERTIMENTO: Prima di effettuare qualsiasi intervento sulla macchina, accertarsi sempre che tutte le cartucce delle batterie siano state rimosse. La mancata rimozione di tutte le cartucce delle batterie potrebbe risultare in gravi lesioni personali dovute all'avvio accidentale.

⚠AVVERTIMENTO: Non avviare mai il tosaerba se non è stato completamente montato. L'uso della macchina in uno stato di montaggio parziale potrebbe risultare in gravi lesioni personali dovute all'avvio accidentale.

Installazione del manubrio

AVVISO: Quando si intende installare i manubri, fare attenzione a non far restare incastrato il cavo elettrico tra i manubri. Qualora il cavo elettrico sia danneggiato, l'interruttore del tosaerba potrebbe non funzionare.

1. Allineare il foro nel manubrio inferiore con il foro nel manubrio superiore, inserire il bullone dall'esterno, quindi serrare il dado a manopola dall'interno. Eseguire la stessa procedura dall'altro lato.

► **Fig.1:** 1. Bullone 2. Dado a manopola 3. Manubrio inferiore 4. Manubrio superiore

2. Ruotare la manopola di 90° mentre si tira la manopola sul manubrio inferiore per rilasciare il perno di bloccaggio. Eseguire la stessa procedura dall'altro lato. Sollevare il manubrio, quindi ruotare la manopola di 90° da entrambi i lati. Accertarsi che le manopole siano fissate saldamente.

► **Fig.2:** 1. Manopola

NOTA: Se si supporta il manubrio, è più facile sbloccare il perno di blocco, quando si tira la manopola.

NOTA: Quando si ruota la manopola, fare attenzione a non far impigliare il cavo elettrico nella manopola.

► **Fig.3:** 1. Manopola

Rimozione dell'adattatore per pacciamatura

1. Aprire lo sportellino posteriore.
► **Fig.4:** 1. Sportellino posteriore
2. Sollevare leggermente l'adattatore per pacciamatura, quindi rimuoverlo.
► **Fig.5:** 1. Adattatore per pacciamatura

Assemblaggio del cestello erba

1. Sollevare la staffa di bloccaggio superiore del cestello erba.
► **Fig.6:** 1. Staffa di bloccaggio superiore
2. Inserire a fondo il telaio nel cestello erba, mantenendo al tempo stesso la maniglia del telaio.
► **Fig.7:** 1. Maniglia

AVVISO: Non inserire la maniglia nel cestello erba. Accertarsi di inserire il telaio lungo la cucitura del cestello erba.

3. Accertarsi che non vi siano afflosciamenti agli angoli del cestello erba.
► **Fig.8**
4. Aprire la staffa di bloccaggio superiore, quindi fissarla al telaio.
► **Fig.9**
5. Fissare tutte le altre staffe di bloccaggio come indicato nella figura. Accertarsi che tutte le staffe di bloccaggio siano saldamente fissate al telaio.
► **Fig.10:** 1. Staffa di bloccaggio

Installazione o rimozione del cestello erba

Per installare il cestello erba, attenersi alla procedura seguente.

1. Aprire lo sportellino posteriore.
► **Fig.11:** 1. Sportellino posteriore
2. Afferrare la maniglia del cestello erba, quindi agganciare quest'ultimo alla barra del corpo del tosaerba, come indicato nella figura.
► **Fig.12:** 1. Cestello erba 2. Maniglia 3. Barra

Per rimuovere il cestello erba, aprire lo sportellino posteriore, quindi rimuovere il cestello erba tenendolo per la maniglia.

Montaggio dell'adattatore per pacciamatura

1. Aprire lo sportellino posteriore, quindi rimuovere il cestello erba.
► **Fig.13:** 1. Sportellino posteriore 2. Cestello erba
2. Montare l'adattatore per pacciamatura spingendolo fino in fondo, in modo che le sporgenze sull'adattatore per pacciamatura entrino nei fori sulla macchina.
► **Fig.14:** 1. Adattatore per pacciamatura
2. Sporgenza

Installazione o rimozione dello scivolo di scarico

Per installare lo scivolo di scarico, attenersi alla procedura seguente.

1. Aprire lo sportellino posteriore, quindi rimuovere il cestello erba e l'adattatore per pacciamatura.
2. Agganciare i fori sullo scivolo di scarico alle sporgenze sul corpo del tosaerba, come indicato nella figura.
► **Fig.15:** 1. Scivolo di scarico 2. Sporgenza

Per rimuovere lo scivolo di scarico, aprire lo sportellino posteriore, quindi rimuovere lo scivolo di scarico.

DESCRIZIONE DELLE FUNZIONI

Installazione o rimozione della cartuccia della batteria

⚠ATTENZIONE: Spegnerne sempre la macchina prima di installare o rimuovere la cartuccia della batteria.

⚠ATTENZIONE: Mantenere saldamente la macchina e la cartuccia della batteria, quando si intende installare o rimuovere quest'ultima.

Qualora non si mantengano saldamente la macchina e la cartuccia della batteria, queste ultime potrebbero scivolare dalle mani, con la possibilità di causare un danneggiamento della macchina e della cartuccia della batteria, nonché lesioni personali.

⚠ATTENZIONE: Prima dell'uso, accertarsi di aver bloccato il coperchio batterie. In caso contrario, fango, sporco o acqua potrebbero danneggiare il prodotto o la cartuccia della batteria.

⚠ATTENZIONE: Installare sempre fino in fondo la cartuccia della batteria, fino a quando l'indicatore rosso non è più visibile. In caso contrario, la batteria potrebbe cadere accidentalmente fuori dalla macchina, causando lesioni personali all'operatore o alle persone circostanti.

⚠ATTENZIONE: Non installare forzatamente la cartuccia della batteria. Qualora la batteria non si inserisca scorrendo agevolmente, vuol dire che non viene inserita correttamente.

⚠ATTENZIONE: Mantenere saldamente il coperchio batterie, quando si intende installare o rimuovere la cartuccia della batteria.

Per installare la cartuccia della batteria:

1. Tirare verso l'alto la leva di blocco, quindi aprire il coperchio batterie.
► **Fig.16:** 1. Coperchio batterie 2. Leva di blocco
2. Allineare la linguetta sulla cartuccia della batteria con l'alloggiamento sulla macchina, quindi far scorrere la cartuccia fino a quando si innesta in sede con un piccolo scatto.
► **Fig.17:** 1. Cartuccia della batteria
3. Chiudere il coperchio batterie e premerlo fino a quando viene agganciato dalla leva di blocco.

Per rimuovere la cartuccia della batteria:

1. Tirare verso l'alto la leva di blocco, quindi aprire il coperchio batterie.
2. Estrarre la cartuccia della batteria dalla macchina, facendo scorrere allo stesso tempo il pulsante sulla parte anteriore della cartuccia.
3. Chiudere il coperchio batterie.

Sistema di protezione della macchina e della batteria

La macchina è dotata di un sistema di protezione della macchina stessa e della batteria. Questo sistema interrompe automaticamente l'alimentazione al motore per prolungare la vita utile della macchina e delle batterie. La macchina si arresta automaticamente durante il funzionamento, qualora la macchina o una batteria vengano a trovarsi in una delle condizioni seguenti:

Protezione dal sovraccarico

Quando una batteria viene utilizzata in un modo che causi un assorbimento di corrente elevato in modo anomalo, la macchina si arresta automaticamente e l'indicatore luminoso di accensione principale lampeggia in verde. In questa circostanza, spegnere la macchina e interrompere l'applicazione che ha causato il sovraccarico della macchina. Quindi, accendere la macchina per ricominciare.

Protezione dal surriscaldamento

Quando la macchina è surriscaldata si arresta automaticamente, e l'indicatore luminoso di accensione principale si illumina in rosso. In tal caso, lasciar raffreddare la macchina e le batterie, prima di riaccendere la macchina.

NOTA: Quando la batteria è surriscaldata, l'indicatore luminoso di accensione principale lampeggia in rosso.

Protezione dalla sovrascarica

Quando la carica delle batterie non è sufficiente, la macchina si arresta automaticamente, e l'indicatore luminoso di accensione principale lampeggia in rosso. In questo caso, rimuovere le batterie dalla macchina e caricare le cartucce delle batterie o sostituirle con cartucce delle batterie completamente cariche.

Protezione da altre cause

Il sistema di protezione è progettato anche per altre cause che potrebbero danneggiare la macchina, e consente alla macchina di arrestarsi automaticamente. Adottare tutte le misure seguenti per rimuovere le cause, quando la macchina è stata portata a un'interruzione temporanea o a un arresto del funzionamento.

1. Spegnere la macchina, quindi riaccenderla per ricominciare.
2. Caricare la batteria o le batterie, o sostituirla/sostituirle con una batteria o delle batterie ricaricate.
3. Lasciar raffreddare la macchina e la batteria o le batterie.

Qualora non si riscontri alcun miglioramento ripristinando il sistema di protezione, contattare il proprio centro di assistenza locale Makita.

AVVISO: Qualora la macchina si arresti a causa di un motivo non descritto sopra, fare riferimento alla sezione relativa alla risoluzione dei problemi.

Indicazione della carica residua della batteria

► Fig.18: 1. Indicatore della batteria

Quando la carica residua di una batteria diventa bassa, l'indicatore della batteria lampeggia dal lato della batteria in questione. Qualora si continui a utilizzare la macchina, quest'ultima si arresta e l'indicatore della batteria si illumina. In questa circostanza, caricare la cartuccia della batteria.

NOTA: Se sono installate due cartucce delle batterie, viene utilizzata prima la batteria installata sul lato sinistro.

NOTA: Se sono installate due cartucce delle batterie, la macchina commuta automaticamente la batteria, quando quella in uso diventa scarica.

Indicazione della carica residua della batteria

Premere il pulsante di controllo sulla cartuccia della batteria per indicare la carica residua della batteria. Gli indicatori luminosi si illuminano per alcuni secondi.

► Fig.19: 1. Indicatori luminosi 2. Pulsante di controllo

Indicatori luminosi			Carica residua
■ Illuminato	□ Spento	▧ Lampeggiante	
■	■	■	Dal 75% al 100%
■	■	■	Dal 50% al 75%
■	■	□	Dal 25% al 50%
■	□	□	Dallo 0% al 25%
▧	□	□	Caricare la batteria.
■	■	□	La batteria potrebbe essersi guastata.
□	□	■	

NOTA: A seconda delle condizioni d'uso e della temperatura ambiente, l'indicazione potrebbe variare leggermente rispetto alla carica effettiva.

NOTA: Il primo indicatore luminoso (all'estremità sinistra) lampeggia quando il sistema di protezione della batteria è in funzione.

Quadro comandi

Il quadro comandi contiene l'interruttore di accensione principale e il pulsante di commutazione della modalità.

- **Fig.20:** 1. Indicatore luminoso della modalità morbida a vuoto 2. Indicatore luminoso della modalità con riduzione del rumore 3. Pulsante di commutazione della modalità 4. Indicatore luminoso di accensione principale 5. Interruttore di accensione principale

Interruttore di accensione principale

⚠AVVERTIMENTO: Disattivare sempre l'interruttore di accensione principale quando l'utensile non è in uso.

Per accendere la macchina, premere l'interruttore di accensione principale. L'indicatore luminoso di accensione principale si illumina in verde. Per spegnere la macchina, premere di nuovo l'interruttore di accensione principale.

NOTA: Qualora l'indicatore luminoso di accensione principale si illumina in rosso o lampeggia in rosso o in verde, consultare le istruzioni del sistema di protezione della macchina o delle batterie.

NOTA: Questa macchina utilizza una funzione di spegnimento automatico. Per evitare l'avvio accidentale, l'interruttore di accensione principale si disattiva automaticamente quando la leva interruttore e la leva di avanzamento (se in dotazione) non vengono premute per un determinato periodo di tempo, dopo che l'interruttore di accensione principale è stato attivato.

Pulsante di commutazione della modalità

È possibile commutare la modalità operativa premendo il pulsante di commutazione della modalità. Quando si accende la macchina, quest'ultima si avvia in modalità normale.

Fare riferimento alla tabella seguente per ciascuna modalità.

Modalità	Indicatore luminoso	Descrizione
Modalità normale	Sia l'indicatore luminoso della modalità morbida a vuoto che l'indicatore luminoso della modalità di riduzione del rumore sono spenti.	La macchina funziona nella modalità normale.
Modalità morbida a vuoto	L'indicatore luminoso della modalità morbida a vuoto si illumina in verde.	È possibile ridurre al minimo lo scossone all'avvio e avviare la macchina in modo morbido.
Modalità di riduzione del rumore	L'indicatore luminoso della modalità di riduzione del rumore si illumina in verde.	È possibile ridurre il rumore durante la tosatura.

Funzionamento dell'interruttore

⚠AVVERTIMENTO: Prima di installare la cartuccia della batteria, controllare sempre che la leva interruttore funzioni correttamente e che torni sulla sua posizione originale quando viene rilasciata. L'utilizzo della macchina con un interruttore che non funzioni correttamente può portare alla perdita di controllo e a gravi lesioni personali.

NOTA: Il tosaerba non si avvia se non si preme il pulsante interruttore, anche se si tira la leva interruttore.

NOTA: Il tosaerba potrebbe non avviarsi a causa di un sovraccarico, quando si tenta di tagliare erba lunga o densa in una sola sessione. In tal caso, regolare l'altezza di taglio.

Questa macchina è dotata di un pulsante interruttore. Qualora si noti qualcosa di anomalo in relazione al pulsante interruttore, interrompere immediatamente l'utilizzo e farlo controllare dal centro di assistenza autorizzato Makita più vicino.

1. Installare le cartucce delle batterie, quindi chiudere il coperchio batterie.
2. Premere l'interruttore di accensione principale.

NOTA: L'indicatore luminoso di accensione principale lampeggia in verde, qualora si prema l'interruttore di accensione principale mentre si tiene premuta la leva interruttore. Prima di premere l'interruttore di accensione principale, rilasciare la leva interruttore.

3. Tirare la leva interruttore verso di sé mentre si tiene premuto il pulsante interruttore. Rilasciare il pulsante interruttore quando il motore inizia ad avviarsi.

► **Fig.21:** 1. Pulsante interruttore 2. Leva interruttore

4. Mentre si continua a mantenere in posizione la leva interruttore, spingere la leva di avanzamento in avanti e mantenerla in posizione per far avanzare le ruote posteriori.

► **Fig.22:** 1. Leva di avanzamento

NOTA: È possibile far avanzare le ruote posteriori spingendo in avanti la leva di avanzamento e mantenendola in posizione senza tirare la leva interruttore.

5. Per arrestare la macchina, rilasciare la leva di avanzamento e la leva interruttore.

Regolazione dell'altezza di taglio

⚠AVVERTIMENTO: Non mettere mai le mani o le gambe sotto il corpo del tosaerba quando si intende regolare l'altezza di taglio.

⚠AVVERTIMENTO: Accertarsi sempre che la leva entri correttamente nella scanalatura prima dell'uso.

È possibile regolare l'altezza di taglio nella gamma compresa tra 20 mm e 100 mm.

Spegnere la macchina, quindi tirare la leva di regolazione dell'altezza di taglio verso l'esterno del corpo del tosaerba e spostarla sull'altezza di taglio desiderata.

► **Fig.23:** 1. Leva di regolazione dell'altezza di taglio

La tabella seguente mostra il rapporto tra il numero sul corpo del tosaerba e l'altezza di taglio approssimativa.

Numero	Altezza di taglio
1	20 mm
2	26 mm
3	32 mm
4	39 mm
5	47 mm
6	55 mm
7	63 mm
8	74 mm
9	86 mm
10	100 mm

Mantenere il manubrio inferiore con una sola mano, quindi spostare la leva di regolazione dell'altezza di taglio con l'altra mano.

► **Fig.24:** 1. Leva di regolazione dell'altezza di taglio
2. Manubrio inferiore

NOTA: I valori dell'altezza di taglio vanno utilizzati solo come indicazione di massima. A seconda delle condizioni del prato o del terreno, l'altezza effettiva del prato potrebbe diventare leggermente diversa da quella impostata.

NOTA: Effettuare un taglio di prova dell'erba in un'ubicazione meno in evidenza, in modo da ottenere l'altezza desiderata.

Indicatore livello erba

L'indicatore livello erba mostra il volume dell'erba tagliata. Quando il cestello erba non è pieno, l'indicatore fluttua mentre le lame sono in funzione.

► **Fig.25:** 1. Indicatore livello erba

Quando il cestello erba è quasi pieno, l'indicatore non fluttua mentre le lame sono in funzione. In tal caso, interrompere immediatamente il funzionamento e svuotare il cestello.

► **Fig.26:** 1. Indicatore livello erba

NOTA: Questo indicatore è una guida approssimativa. A seconda delle condizioni all'interno del cestello, questo indicatore potrebbe non funzionare correttamente.

Regolazione dell'altezza del manubrio

È possibile regolare l'altezza del manubrio su due livelli.

1. Mantenere il manubrio inferiore, quindi ruotare la manopola di 90° mentre si tira la manopola sul manubrio inferiore per sbloccare il perno di blocco. Eseguire la stessa procedura dall'altro lato.

► **Fig.27:** 1. Manubrio inferiore 2. Manopola

NOTA: Se si supporta il manubrio, è più facile sbloccare il perno di blocco, quando si tira la manopola.

2. Regolare l'altezza del manubrio, quindi ruotare la manopola di 90° da entrambi i lati. Accertarsi che le manopole siano fissate saldamente.

► **Fig.28:** 1. Manopola

Regolazione della velocità di movimento

► **Fig.29:** 1. Leva della velocità

È possibile regolare la velocità di movimento con la leva della velocità. Per ridurre la velocità, tirare la leva verso di sé; per aumentarla, ruotare la leva in avanti.

Uso dell'adattatore per pacciamatura

L'adattatore per pacciamatura consente di far ricadere l'erba tagliata al suolo senza raccoglierla nel cestello erba. Quando si utilizza la macchina con l'adattatore per pacciamatura, accertarsi di rimuovere il cestello erba o lo scivolo di scarico.

AVVISO: Quando si intende utilizzare la macchina con l'adattatore per pacciamatura, accertarsi che la lunghezza complessiva dell'erba dopo il taglio sia pari o superiore a 30 mm, e che la lunghezza tagliata sia pari o inferiore a 15 mm.

► **Fig.30:** (1) Almeno 30 mm (2) 15 mm o meno

Uso dello scivolo di scarico

Lo scivolo di scarico consente di scaricare l'erba tagliata sul suolo dal lato destro della macchina, senza raccogliere l'erba tagliata nel cestello erba. Quando si utilizza la macchina con lo scivolo di scarico, accertarsi di rimuovere il cestello erba e l'adattatore per pacciamatura.

Utilizzo dello scarico posteriore

L'utilizzo dello scarico posteriore consente di scaricare l'erba tagliata sul suolo dal lato posteriore della macchina, senza raccogliere l'erba tagliata nel cestello erba.

Quando si fa funzionare la macchina utilizzando lo scarico posteriore, accertarsi di rimuovere l'adattatore per pacciamatura e il cestello erba o lo scivolo di scarico, quindi chiudere lo sportellino posteriore.

Funzione elettronica

La macchina è dotata di funzioni elettroniche per facilitare l'uso.

- Funzione di avvio "morbido" dell'avanzamento
La funzione di avvio morbido riduce al minimo l'impatto all'avvio, e fa avviare delicatamente la macchina.
- Freno elettrico
Questa macchina è dotata di un freno elettrico. Qualora la macchina non riesca ripetutamente ad arrestare rapidamente le lame del tosaerba dopo il rilascio della leva interruttore, far sottoporre a riparazione la macchina presso un centro di assistenza autorizzato Makita.

FUNZIONAMENTO

Taglio dell'erba

⚠AVVERTIMENTO: Prima di tagliare l'erba, rimuovere gli stecchi e i sassi dall'area di taglio. Inoltre, rimuovere preventivamente eventuali erbacce dall'area di taglio.

⚠AVVERTIMENTO: Indossare sempre occhiali od occhialoni di sicurezza con protezioni laterali, quando si utilizza il tosaerba.

⚠ATTENZIONE: Qualora l'erba tagliata o un corpo estraneo ostruiscano l'interno del corpo del tosaerba, accertarsi di rimuovere le cartucce delle batterie, e indossare i guanti prima di rimuovere l'erba o il corpo estraneo.

AVVISO: Utilizzare questa macchina solo per la tosatura di prati. Non tagliare erbacce con questa macchina.

► Fig.31

Tenere saldamente il manubrio con entrambe le mani durante il taglio dell'erba. La velocità di taglio indicativa va da 7 a 14 metri circa ogni 10 secondi.

► Fig.32

NOTA: Quando si tosan prati con erba lunga o densa, qualora si rilevi una disomogeneità nella lunghezza dell'erba del prato o una finitura scadente dopo il taglio, o qualora si rilevi una riduzione della velocità del motore durante il taglio, ridurre la velocità di taglio a un valore inferiore a quello consigliato nel presente manuale, oppure aumentare l'altezza di taglio.

Le linee centrali delle ruote anteriori fungono da riferimenti per la larghezza di taglio. Utilizzando le linee centrali come riferimenti, tagliare l'erba a strisce. Per tagliare in modo uniforme il prato, sovrapporre ogni striscia a quella precedente per una parte che vada da una metà a un terzo.

► Fig.33: 1. Larghezza di taglio 2. Area di sovrapposizione 3. Linea centrale

Cambiare la direzione di taglio ogni volta, per evitare che si formi uno schema di venature d'erba in un'unica direzione.

► Fig.34

Controllare a intervalli regolari la quantità di erba tagliata nel cestello erba. Svuotare l'erba prima che il cestello si riempia. Prima di ciascun controllo periodico, accertarsi di arrestare e spegnere la macchina.

AVVISO: L'uso del tosaerba con il cestello erba pieno impedisce una rotazione fluida della lama ed esercita un'ulteriore pressione sul motore, che potrebbe causare un guasto.

Tosatura di prati con erba lunga

Non tentare di tosar prati con erba lunga in una singola passata. Tosare il prato in sessioni, invece. Lasciar passare uno o due giorni tra una tosatura e l'altra, fino ad accorciare il prato in modo uniforme.

► Fig.35

NOTA: La tosatura di un prato con erba lunga su una lunghezza corta in un'unica sessione potrebbe causare la morte del prato. Inoltre, l'erba del prato tagliata potrebbe ammassarsi e formare un'ostruzione all'interno del corpo del tosaerba.

NOTA: Qualora si rilevi una disomogeneità nella lunghezza del prato o una finitura scadente dopo il taglio, o qualora si rilevi una riduzione della velocità del motore durante il taglio, ridurre la velocità di taglio, oppure aumentare l'altezza di taglio.

Svuotamento del cestello erba

⚠AVVERTIMENTO: Per ridurre il rischio di un incidente, verificare a intervalli regolari l'eventuale presenza di danni o di indebolimenti della robustezza del cestello erba. Se necessario, sostituire il cestello erba.

1. Rilasciare la leva interruttore e la leva di avanzamento.
2. Spegner la macchina.
3. Aprire lo sportellino posteriore ed estrarre il cestello erba tenendolo per la maniglia.
► Fig.36: 1. Sportellino posteriore 2. Manico 3. Cestello erba
4. Svuotare il cestello erba.

MANUTENZIONE

⚠AVVERTIMENTO: Accertarsi sempre di aver rimosso tutte le cartucce delle batterie dalla macchina, prima di riporre o trasportare quest'ultima, oppure prima di tentare di eseguire un intervento di ispezione o di manutenzione.

⚠AVVERTIMENTO: Indossare dei guanti quando si intende eseguire l'ispezione o la manutenzione.

⚠AVVERTIMENTO: Indossare sempre occhiali od occhialoni di sicurezza con protezioni laterali, quando si intende eseguire ispezioni o manutenzione.

AVVISO: Non utilizzare mai benzina, benzene, solventi, alcol o altre sostanze simili. In caso contrario, si potrebbero causare scolorimenti, deformazioni o crepe.

Per preservare la SICUREZZA e l'AFFIDABILITÀ del prodotto, le riparazioni e qualsiasi altro intervento di manutenzione e di regolazione devono essere eseguiti da un centro di assistenza autorizzato Makita, utilizzando sempre ricambi Makita.

Manutenzione

1. Rimuovere tutte le cartucce delle batterie, quindi chiudere il coperchio batterie.
2. Appoggiare il tosaerba su un fianco. Pulire i frammenti tagliati di erba accumulati sul lato inferiore della carrozzeria del tosaerba.
3. Versare dell'acqua verso il lato inferiore della macchina, su cui è montata la lama.

AVVISO: Non lavare la macchina con acqua ad alta pressione.

4. Controllare che tutti i dadi, i bulloni, le viti, e così via, siano serrati saldamente.
5. Ispezionare le parti mobili per individuare danni, rotture o usura. Le parti danneggiate o mancanti vanno riparate o sostituite.
6. Riporre il tosaerba in un luogo sicuro, fuori dalla portata dei bambini.

AVVISO: Non versare acqua sull'area indicata nella figura. Qualora si versi acqua sull'unità motore, si potrebbe causare un malfunzionamento della macchina.

- Fig.37: 1. Area su cui non deve essere versata acqua

AVVISO: Non versare acqua sulla macchina mentre quest'ultima si trova nella posizione verticale, come indicato nella figura. Se la macchina si trova in posizione verticale, l'acqua potrebbe venire versata sull'unità motore e causare un malfunzionamento della macchina.

- Fig.38

Trasporto del tosaerba

⚠ATTENZIONE: Prima di trasportare il tosaerba, accertarsi che tutte le cartucce delle batterie siano state rimosse.

Quando si intende trasportare il tosaerba, afferrare l'impugnatura posteriore e la parte di sostegno inferiore situata sul lato anteriore della macchina con due persone, come indicato nella figura.

- Fig.39: 1. Parte di sostegno inferiore
2. Impugnatura posteriore

Conservazione

⚠ATTENZIONE: Quando si intende disporre la macchina in posizione verticale, posizionare la macchina su una superficie piana e stabile. Qualora la macchina venga posizionata su una superficie instabile, la macchina potrebbe rovesciarsi e causare lesioni personali.

Riporre il tosaerba al chiuso, in un luogo fresco, asciutto e chiuso a chiave. Non riporre il tosaerba e il caricabatterie in ubicazioni in cui la temperatura possa raggiungere o superare i 40 °C.

1. Rimuovere tutte le cartucce delle batterie.
2. Ruotare la manopola di 90° mentre si tira la manopola sul manubrio inferiore per rilasciare il perno di bloccaggio. Eseguire la stessa procedura dall'altro lato, quindi ripiegare il manubrio.

- Fig.40: 1. Manopola

NOTA: Se si supporta il manubrio, è più facile sbloccare il perno di blocco, quando si tira la manopola.

3. Ruotare la manopola di 90° da entrambi i lati. Accertarsi che le manopole siano fissate saldamente.
- Fig.41: 1. Manopola

AVVISO: Quando si intende ripiegare il manubrio, fare attenzione a non far restare incastrati i cavi elettrici.

4. Allentare i dadi a manopola da entrambi i lati, quindi ripiegare il manubrio superiore come indicato nella figura.
- Fig.42: 1. Dado a manopola 2. Manubrio superiore
5. Disporre la macchina in posizione verticale.

NOTA: Quando si intende disporre il tosaerba in posizione verticale, non mantenerlo solo per il manubrio, ma afferrare il corpo del tosaerba e il manubrio.

6. Riporre il cestello erba come indicato nella figura.
- Fig.43: 1. Cestello erba
► Fig.44: 1. Cestello erba

Rimozione o installazione della lama del tosaerba

⚠AVVERTIMENTO: La lama continua a girare per inerzia per alcuni secondi dopo che si è rilasciato l'interruttore. Non iniziare l'operazione fino all'arresto completo della lama.

⚠AVVERTIMENTO: Rimuovere sempre tutte le cartucce delle batterie, quando si intende rimuovere o installare la lama. La mancata rimozione di tutte le cartucce delle batterie potrebbe causare gravi lesioni personali.

⚠AVVERTIMENTO: Indossare sempre dei guanti quando si maneggia la lama.

AVVISO: Quando si intende rimuovere o installare la lama del tosaerba, utilizzare la chiave a tubo inclusa nella confezione della macchina.

Rimozione della lama del tosaerba

1. Sistemare il tosaerba su un fianco, in modo che la leva di regolazione dell'altezza di taglio si trovi sul lato superiore.
 2. Per bloccare la lama, inserire il perno fino in fondo nel foro sul corpo del tosaerba.
 3. Ruotare il bullone in senso antiorario con la chiave a tubo 17.
- Fig.45: 1. Lama del tosaerba 2. Perno 3. Chiave a tubo
4. Rimuovere il bullone e quindi la lama del tosaerba.
- Fig.46: 1. Supporto della lama 2. Lama del tosaerba 3. Bullone 4. Sporgenza

AVVISO: Quando si intende installare la lama del tosaerba, accertarsi che le sporgenze sul supporto della lama entrino nei fori presenti nella lama del tosaerba.

Installazione della lama del tosaerba

⚠AVVERTIMENTO: Installare con cautela la lama del tosaerba. La lama ha una faccia superiore e una inferiore.

⚠AVVERTIMENTO: Serrare saldamente il bullone in senso orario per fissare la lama.

⚠AVVERTIMENTO: Accertarsi che la lama del tosaerba e tutte le parti di fissaggio siano installate correttamente e serrate saldamente.

⚠AVVERTIMENTO: Quando si sostituiscono le lame, seguire sempre le istruzioni fornite nel presente manuale.

AVVISO: Dopo aver installato le lame del tosaerba, rimuovere il perno dal corpo del tosaerba.

AVVISO: Quando si serra il bullone per installare la lama del tosaerba, applicare una coppia di serraggio compresa tra 19 e 29 N•m (i valori sono solo per riferimento).

Per installare le lame del tosaerba, eseguire la procedura di rimozione al contrario.

RISOLUZIONE DEI PROBLEMI

Prima di richiedere riparazioni, eseguire un'ispezione personalmente. Qualora si rilevi un problema che non sia illustrato nel manuale, non tentare di smontare la macchina. Rivolgersi, invece, a un centro di assistenza autorizzato Makita, utilizzando sempre pezzi di ricambio Makita per le riparazioni.

Stato di anomalia	Causa probabile (guasto)	Azione correttiva
Il tosaerba non si avvia.	La cartuccia della batteria non è installata.	Installare una cartuccia della batteria carica.
	Problema delle batterie (tensione insufficiente)	Ricaricare la cartuccia della batteria. Qualora la ricarica non abbia effetto, sostituire la cartuccia della batteria.
Il motore si arresta dopo un breve utilizzo.	Il livello di carica della batteria è basso.	Ricaricare la cartuccia della batteria. Qualora la ricarica non abbia effetto, sostituire la cartuccia della batteria.
	L'altezza di taglio è troppo bassa.	Aumentare l'altezza di taglio.
	L'erba tagliata è intasata nel tosaerba.	Rimuovere l'erba intasata dal tosaerba.
Il motore non raggiunge i giri/minuto massimi.	La cartuccia della batteria non è installata correttamente.	Installare la cartuccia della batteria come descritto nel presente manuale.
	La carica delle batterie si sta riducendo.	Ricaricare la cartuccia della batteria. Qualora la ricarica non abbia effetto, sostituire la cartuccia della batteria.
	Il sistema di trasmissione non funziona correttamente.	Chiedere la riparazione al proprio centro di assistenza autorizzato locale.
La lama del tosaerba non gira: ⇒ arrestare immediatamente il tosaerba!	Un oggetto estraneo, ad esempio un ramoscello, è incastrato vicino alla lama.	Rimuovere l'oggetto estraneo.
	Il sistema di trasmissione non funziona correttamente.	Chiedere la riparazione al proprio centro di assistenza autorizzato locale.
Vibrazione anomala: ⇒ arrestare immediatamente il tosaerba!	La lama è sbilanciata, usurata eccessivamente o in modo disomogeneo.	Sostituire la lama.

ACCESSORI OPZIONALI

⚠ATTENZIONE: Questi accessori o componenti aggiuntivi sono consigliati per l'uso con il prodotto Makita specificato nel presente manuale.

L'impiego di altri accessori o componenti aggiuntivi di qualsiasi tipo potrebbe costituire un rischio di lesioni alle persone. Utilizzare un accessorio o un componente aggiuntivo solo per lo scopo a cui è destinato.

Per ottenere ulteriori dettagli relativamente a questi accessori, rivolgersi a un centro di assistenza Makita.

- Lama del tosaerba
- Batteria e caricabatterie originali Makita

NOTA: Alcuni articoli nell'elenco potrebbero essere inclusi in dotazione nella confezione dell'utensile come accessori di serie. Tali articoli potrebbero variare da nazione a nazione.

TECHNISCHE GEGEVENS

Model:		LM001G	LM002G
Maaibreedte (diameter van snijblad)		480 mm	534 mm
Nullasttoerental	Normale functie	3.200 min ⁻¹	2.800 min ⁻¹
	Zachte, onbelaste functie	2.500 - 3.200 min ⁻¹	2.300 - 2.800 min ⁻¹
	Geluidsonderdrukingsfunctie	2.500 min ⁻¹	2.300 min ⁻¹
Onderdeelnummer van vervangingssnijblad van grasmaaier	Recht snijblad van de grasmaaier	191V97-3	191V96-5
	Recht snijblad van de grasmaaier*1	-	191W87-2
	Mulch-snijblad	191Y64-6	191Y65-4
Afmetingen (l x b x h)	tijdens gebruik	l: 1.670 mm tot 1.745 mm b: 550 mm h: 965 mm tot 1.075 mm	l: 1.740 mm tot 1.810 mm b: 595 mm h: 970 mm tot 1.080 mm
	tijdens opslag (zonder grasmand)	585 mm x 550 mm x 900 mm	580 mm x 595 mm x 930 mm
Rijsnelheid		1,5 of 5,0 km/h	
Nominale spanning		Max. 36 V - 40 V gelijkspanning	
Nettogewicht		28,0 - 33,0 kg	29,3 - 34,5 kg
Beschermingsklasse		IPX4	

*1. Snijblad voor efficiënter opvangen van het gras.

- In verband met ononderbroken research en ontwikkeling, behouden wij ons het recht voor de bovenstaande technische gegevens zonder voorafgaande kennisgeving te wijzigen.
- De technische gegevens kunnen van land tot land verschillen.
- Het gewicht kan verschillen afhankelijk van de hulpstukken, waaronder de accu. De lichtste en zwaarste combinatie, overeenkomstig de EPTA-procedure 01/2014, worden getoond in de tabel.

Toepasselijke accu's en laders

Accu	BL4020 / BL4025 / BL4040* / BL4040F* / BL4050F* / BL4080F* * : Aanbevolen accu
Lader	DC40RA / DC40RB / DC40RC / DC40WA




- Sommige van de hierboven vermelde accu's en laders zijn mogelijk niet leverbaar afhankelijk van waar u woont.






⚠ WAARSCHUWING: Gebruik uitsluitend de accu's en laders die hierboven worden genoemd. Gebruik van enige andere accu of lader kan leiden tot letsel en/of brand.

⚠ WAARSCHUWING: Gebruik geen bekabelde voeding, zoals een accuadapter of draagbare voedingseenheid met dit gereedschap. De kabel van een dergelijke voeding kan het gebruik hinderen waardoor persoonlijk letsel wordt veroorzaakt.

Symbolen

Hieronder staan de symbolen die voor het gereedschap kunnen worden gebruikt. Zorg ervoor dat u de betekenis ervan kent voordat u het gereedschap gaat gebruiken.

	Wees vooral voorzichtig en let goed op.
	Lees de gebruiksaanwijzing.
	Gevaar: let op weggegooid voorwerpen.

	Omstanders moeten een afstand van zeker 15 meter bewaren tot het gereedschap.
	Breng nooit uw handen of voeten dicht bij het maaimes onder de grasmaaier. Het maaimes blijft nadraaien nadat de motor is uitgeschakeld.
	Waarschuwing: Koppel de accu los alvorens onderhoud uit te voeren.
	Elektrisch gevaar. Contact met water kan een elektrische schok veroorzaken.
	Giet er geen water op.



Alleen voor EU-landen
 Als gevolg van de aanwezigheid van schadelijke componenten in het apparaat, kunnen oude elektrische en elektronische apparaten, accu's en batterijen negatieve gevolgen hebben voor het milieu en de gezondheid van mensen. Gooi elektrische en elektronische apparaten en accu's niet met het huisvuil weg! In overeenstemming met de Europese richtlijn inzake oude elektrische en elektronische apparaten en inzake accu's en batterijen en oude accu's en batterijen, alsmede de toepassing daarvan binnen de nationale wetgeving, dienen oude elektrische apparaten, accu's en batterijen gescheiden te worden opgeslagen en te worden ingeleverd bij een apart inzamelingspunt voor huishoudelijk afval dat de milieubeschermingsvoorschriften in acht neemt. Dit wordt op het apparaat aangegeven door het symbool van een doorkruiste afvalcontainer.



Gegarandeerd geluidsvermogeniveau conform EU-richtlijn inzake geluidsemissie buitenhuis.



Geluidsvermogeniveau conform de Regelgeving Geluidsregeling van NSW, Australië

Gebruiksdoelinden

De machine is bedoeld om het gazon te maaien.

Geluidsniveau

De typische, A-gewogen geluidsniveaus zijn gemeten volgens EN62841-4-3:

Model LM001G

Gemeten geluidsvermogeniveau (L_{WA}): 91 dB (A)
 Gegarandeerd geluidsvermogeniveau (L_{WA}): 94 dB (A)
 Geluidsdruk niveau (L_{pA}): 81 dB (A)
 Onzekerheid van het geluidsrukniveau (K): 3 dB (A)

Model LM002G

Gemeten geluidsvermogeniveau (L_{WA}): 91 dB (A)
 Gegarandeerd geluidsvermogeniveau (L_{WA}): 94 dB (A)
 Geluidsrukniveau (L_{pA}): 81 dB (A)
 Onzekerheid van het geluidsrukniveau (K): 3 dB (A)

OPMERKING: De opgegeven geluidsemissiewaarde(n) is/zijn gemeten volgens een standaardtestmethode en kan/kunnen worden gebruikt om dit gereedschap te vergelijken met andere gereedschappen.

OPMERKING: De opgegeven geluidsemissiewaarde(n) kan/kunnen ook worden gebruikt voor een beoordeling vooraf van de blootstelling.

⚠️ WAARSCHUWING: Draag gehoorbescherming.

⚠️ WAARSCHUWING: De geluidsemissie tijdens het gebruik van het elektrisch gereedschap in de praktijk kan verschillen van de opgegeven waarde(n) afhankelijk van de manier waarop het gereedschap wordt gebruikt, met name van het soort werkstuk waarmee wordt gewerkt.

⚠️ WAARSCHUWING: Zorg ervoor dat veiligheidsmaatregelen worden getroffen ter bescherming van de gebruiker die zijn gebaseerd op een schatting van de blootstelling onder praktijkomstandigheden (rekening houdend met alle fasen van de bedrijfscyclus, zoals de tijdsduur gedurende welke het gereedschap is uitgeschakeld en stationair draait, naast de ingeschakelde tijdsduur).

Trilling

De totale trillingswaarde (triaxiale vectorsom) zoals vastgesteld volgens EN62841-4-3:

Model LM001G

Trillingsemissie (a_h): 2,5 m/s² of lager
 Onzekerheid (K): 1,5 m/s²

Model LM002G

Trillingsemissie (a_h): 2,5 m/s² of lager
 Onzekerheid (K): 1,5 m/s²

OPMERKING: De totale trillingswaarde(n) is/zijn gemeten volgens een standaardtestmethode en kan/kunnen worden gebruikt om dit gereedschap te vergelijken met andere gereedschappen.

OPMERKING: De opgegeven totale trillingswaarde(n) kan/kunnen ook worden gebruikt voor een beoordeling vooraf van de blootstelling.

⚠️ WAARSCHUWING: De trillingsemissie tijdens het gebruik van het elektrisch gereedschap in de praktijk kan verschillen van de opgegeven waarde(n) afhankelijk van de manier waarop het gereedschap wordt gebruikt, met name van het soort werkstuk waarmee wordt gewerkt.

⚠️ WAARSCHUWING: Zorg ervoor dat veiligheidsmaatregelen worden getroffen ter bescherming van de gebruiker die zijn gebaseerd op een schatting van de blootstelling onder praktijkomstandigheden (rekening houdend met alle fasen van de bedrijfscyclus, zoals de tijdsduur gedurende welke het gereedschap is uitgeschakeld en stationair draait, naast de ingeschakelde tijdsduur).

Verklaringen van conformiteit

Alleen voor Europese landen

De verklaringen van conformiteit zijn bijgevoegd in Bijlage A bij deze gebruiksaanwijzing.

VEILIGHEIDSWAARSCHUWINGEN

Algemene veiligheidswaarschuwingen voor elektrisch gereedschap

⚠️ WAARSCHUWING Lees alle veiligheidswaarschuwingen, instructies, afbeeldingen en technische gegevens die bij dit elektrisch gereedschap worden geleverd. Als niet alle onderstaande instructies worden opgevolgd, kan dat leiden tot een elektrische schok, brand en/of ernstig letsel.

Bewaar alle waarschuwingen en instructies om in de toekomst te kunnen raadplegen.

De term "elektrisch gereedschap" in de veiligheidsvoorschriften duidt op gereedschappen die op stroom van het lichtnet werken (met snoer) of gereedschappen met een accu (snoerloos).

Veiligheidswaarschuwingen voor een accugrasmaaier

1. **Gebruik de grasmaaier niet bij slechte weersomstandigheden, met name wanneer de kans op bliksem bestaat.** Dit verkleint de kans om door de bliksem getroffen te worden.
2. **Inspecteer het gebied waar de grasmaaier gebruikt gaat worden zorgvuldig op de aanwezigheid van dieren.** Dieren kunnen gewond raken tijdens het gebruik van de grasmaaier.
3. **Inspecteer het gebied waar de grasmaaier gebruikt gaat worden zorgvuldig en verwijder alle stenen, stokken, draden, botten en andere vreemde voorwerpen.** Weggeworpen voorwerpen kunnen leiden tot persoonlijk letsel.
4. **Voordat u de grasmaaier gebruikt, inspecteert u altijd of het snijblad en de bijbehorende onderdelen niet zijn versleten of beschadigd.** Versleten of beschadigde onderdelen verhogen de kans op letsel.
5. **Controleer veelvuldig de grasopvanger op slijtage en beschadigingen.** Een versleten of beschadigde grasopvanger kan de kans op persoonlijk letsel verhogen.
6. **Houd de beschermkappen op hun plaats. De beschermkappen moeten in werkende staat zijn en goed gemonteerd zijn.** Een beschermkap die los zit, beschadigd is of niet goed werkt, kan persoonlijk letsel veroorzaken.
7. **Zorg ervoor dat alle koelluchtinlaten vrij zijn van vuil.** Verstopte luchtinlaten en vuil kunnen leiden tot oververhitting of de kans op brand.
8. **Draag tijdens gebruik van de grasmaaier altijd slipvast veiligheidsschoeisel. Gebruik de grasmaaier niet wanneer u op blote voeten loopt of open sandalen draagt.** Dit verkleint de kans op letsel aan uw voeten door contact met het bewegende snijblad.
9. **Draag tijdens gebruik van de grasmaaier altijd een lange broek.** Blootliggende huid verhoogt de kans op letsel door weggeworpen voorwerpen.
10. **Gebruik de grasmaaier niet op nat gras. Loop gewoon en ren niet.** Dit verkleint de kans op uitglijden en vallen die kunnen leiden tot persoonlijk letsel.
11. **Gebruik de grasmaaier niet op zeer steile hellingen.** Dit verkleint de kans op verlies van controle, uitglijden en vallen die kunnen leiden tot persoonlijk letsel.
12. **Verzeker u bij het werken op hellingen er altijd van dat u stevig staat, werk altijd dwars op de helling, nooit hellingopwaarts of -afwaarts, en wees uiterst voorzichtig bij het veranderen van richting.** Dit verkleint de kans op verlies van controle, uitglijden en vallen die kunnen leiden tot persoonlijk letsel.
13. **Wees uiterst voorzichtig wanneer u de grasmaaier achteruit laat rijden of naar u toe trekt. Wees u altijd bewust van uw omgeving.** Dit verkleint de kans op struikelen tijdens gebruik.
14. **Raak het snijblad en andere gevaarlijke bewegende delen niet aan terwijl deze nog bewegen.** Dit verkleint de kans op letsel door bewegende delen.

15. **Bij het verwijderen van vastgelopen materiaal of het schoonmaken van de grasmaaier verze-kerk u zich ervan dat alle aan-uitschakelaars uit staan en de accu is losgekoppeld.** Onverwachts in werking treden van de grasmaaier kan leiden tot ernstig persoonlijk letsel.

BEWAAR DEZE VOORSCHRIFTEN.

⚠️ WAARSCHUWING: Laat u NIET misleiden door een vals gevoel van comfort en bekendheid met het gereedschap (na veelvuldig gebruik) en neem alle veiligheidsvoorschriften van het betreffende gereedschap altijd strikt in acht.

VERKEERD GEBRUIK of het niet naleven van de veiligheidsvoorschriften in deze gebruiksaanwijzing kan leiden tot ernstige verwondingen.

BELANGRIJKE VEILIGHEIDSVORSCHRIFTEN

⚠️ WAARSCHUWING: Lees alle veiligheidswaarschuwingen en alle instructies. Het niet volgen van de waarschuwingen en instructies kan leiden tot elektrische schokken, brand en/of ernstig letsel.

Bewaar alle waarschuwingen en instructies om in de toekomst te kunnen raadplegen.

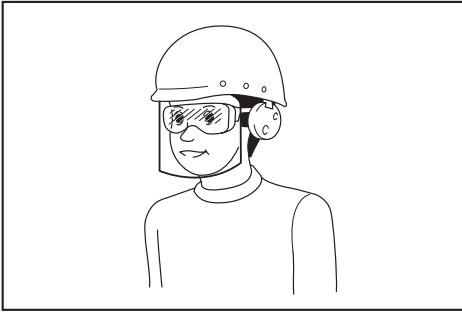
Instructie

1. **Lees de gebruiksaanwijzingen aandachtig door.** Zorg dat u vertrouwd bent met de bedieningsorganen en het correcte gebruik van de grasmaaier.
2. **Laat nooit kinderen of anderen die niet vertrouwd zijn met deze instructies de grasmaaier bedienen.** De toegestane leeftijd van gebruikers kan ook zijn vastgelegd in de plaatselijke wetgeving.
3. **Gebruik de grasmaaier nooit met personen, in het bijzonder kinderen, of huisdieren dicht in de buurt.**
4. **Onthoud dat de bediener of gebruiker aansprakelijk is voor ongelukken met letsel aan andere personen of schade aan hun eigendommen.**
5. **Houd toezicht op kinderen om te zorgen dat ze niet met de grasmaaier gaan spelen.**
6. **Lichamelijke conditie - Gebruik de grasmaaier niet onder de invloed van alcohol, stimulerende of verdovende middelen, of na het innemen van medicijnen.**

Vorbereidingen

1. **Draag bij gebruik van de grasmaaier altijd stevig schoeisel en een lange broek.** Gebruik de grasmaaier niet wanneer u op blote voeten loopt of open sandalen draagt. Draag geen juwelen of kleding die erg ruim valt of waarvan koordjes of bandjes los bungelen. Deze kunnen door de bewegende delen gegrepen worden.

2. Inspecteer de grasmaaier vóór gebruik altijd visueel op beschadigde, ontbrekende of verkeerd gemonteerde beschermkappen of schilden.
3. Zorg dat er geen andere personen in de buurt zijn voordat u met maaien begint. Stop de grasmaaier wanneer er iemand nadert.
4. Draag tijdens het gebruik van elektrisch gereedschap altijd een veiligheidsbril om uw ogen te beschermen tegen letsel. De bril moet voldoen aan ANSI Z87.1 in de Verenigde Staten, aan EN 166 in Europa, en aan AS/NZS 1336 in Australië en Nieuw-Zeeland. In Australië en Nieuw-Zeeland is het wettelijk verplicht om tevens een spatscherm te dragen om uw gezicht te beschermen.



Het is de verantwoordelijkheid van de werkgever om ervoor te zorgen dat geschikte beschermingsmiddelen gebruikt worden door de gebruikers van het gereedschap en anderen in de onmiddellijke omgeving van de werkplek.

5. Controleer vóór gebruik zorgvuldig de snijbladen en de bouten van de snijbladen op barsten of andere beschadigingen. Vervang gebarsten of beschadigde snijbladen of bouten van de snijbladen onmiddellijk.
6. Verwijder vóór het maaien eerst obstakels en voorwerpen zoals stenen, ijzerdraad, glas, botten en grote takken uit uw werkgebied, om schade aan de grasmaaier en persoonlijk letsel te voorkomen.
7. Als het snijblad van de grasmaaier een voorwerp raakt, kan ernstig letsel worden veroorzaakt. Controleer altijd vóór het maaien het gras op voorwerpen die hinder of gevaar kunnen veroorzaken en verwijder ze op afdoende wijze.
8. Kijk uit voor kuilen, sporen, hobbels, stenen en andere verborgen voorwerpen. Ongelijkmatig terrein kan leiden tot uitglijden en vallen. In lang gras kunnen obstakels verborgen zitten.
9. **Gebruik persoonlijke-veiligheidsmiddelen. Draag altijd oogbescherming.** Veiligheidsmiddelen, zoals stofmaskers, slipvaste veiligheidsschoenen, veiligheidshelm en gehoorbescherming, gebruikt in toepasselijke situaties, dragen bij tot vermindering van persoonlijk letsel.

Bediening

1. Reik niet te ver. Zorg altijd voor een goede balans. Zorg altijd dat u stevig staat op hellingen. Loop gewoon en ren niet.

2. Stop de grasmaaier, schakel de machine uit, en verzeker u ervan dat alle bewegende delen volledig tot stilstand zijn gekomen:
 - wanneer u de grasmaaier achterlaat;
 - voor het opheffen van een blokkering of het vrijmaken van het uitwerpkanaal;
 - voor het controleren, reinigen of werken aan de grasmaaier;
 - na het raken van een vreemd voorwerp.
 Inspecteer de grasmaaier op beschadigingen en voer reparatiewerkzaamheden uit alvorens de grasmaaier opnieuw te starten en te bedienen,
 - als de grasmaaier op ongebruikelijke manier begint te trillen.
3. Gebruik de grasmaaier in geen geval wanneer de beveiligingskappen of schermen defect zijn, of wanneer beveiligingsdelen zoals de keerschotten en/of grasmand afwezig zijn.
4. Vermijd het gebruik van de grasmaaier onder slechte weersomstandigheden, met name wanneer de kans op bliksem bestaat.
5. Draag tijdens het gebruik van de grasmaaier altijd oogbescherming en stevige schoenen.
6. Gebruik de grasmaaier alleen bij daglicht of helder kunstlicht.
7. Schakel de grasmaaier zorgvuldig in volgens de voorschriften, met uw voeten op veilige afstand van de snijblad(en).
8. Wees voorzichtig uw handen en voeten niet te verwonden aan het snijblad.
9. Zorg er altijd voor dat de ventilatieopeningen vrij zijn van vuil.
10. Maai altijd horizontaal langs een glooiing, nooit omhoog en omlaag. Wees uiterst voorzichtig wanneer u op een hellend vlak van richting verandert. Probeer niet om te maaien op al te steile hellingen.
11. Wees uiterst voorzichtig wanneer u de grasmaaier achteruit laat rijden of naar u toe trekt.
12. Stop de snijblad(en) wanneer u de grasmaaier moet kantelen om hem te verplaatsen over een ander oppervlak dan gras, en ook wanneer u de grasmaaier vervoert van of naar het te maaien terrein.
13. Kantel de grasmaaier niet wanneer u de motor inschakelt, behalve wanneer het noodzakelijk is de grasmaaier iets te kantelen om de motor te starten. In dat geval kantelt u hem niet verder dan strikt noodzakelijk en tilt u alleen het van u afgerichte deel iets omhoog. Zorg er altijd voor dat u beide handen op de bedieningspositie houdt voordat u de grasmaaier weer op de grond laat zakken.
14. Plaats nooit uw handen of voeten onder of vlakbij de draaiende onderdelen. Blijf steeds uit de buurt van de uitwerpopening.
15. Vervoer de grasmaaier niet terwijl de grasmaaier is ingeschakeld.
16. Gebruik de grasmaaier niet wanneer het gras nat is.
17. Houd de handgreep altijd stevig vast.
18. Raak het snijblad of andere scherpe randen niet aan bij het optillen of dragen van de grasmaaier.

19. Houd uw handen en voeten uit de buurt van het draaiende snijblad. Let op - Het snijblad blijft nadraaien nadat de grasmaaier is uitgeschakeld.
20. Stop onmiddellijk met het gebruik wanneer u iets vreemds opmerkt. Schakel de grasmaaier uit. Inspecteer vervolgens de grasmaaier.
21. Als de grasmaaier is uitgerust met een maaihoogte-instelling, mag u nooit de maaihoogte veranderen terwijl de grasmaaier draait.
22. Laat de schakelhendel los en wacht tot het snijblad gestopt is voordat u een tuinpad, trottoir, oprijlaan, straat of weg oversteekt, of enig terrein waar grind ligt. Schakel ook de machine uit wanneer u de grasmaaier achterlaat, wanneer u een eindje verder iets moet oprapen, of als u om enige andere reden afgeleid bent van waar u mee bezig was.
23. Als de grasmaaier een vreemd voorwerp raakt, gaat u als volgt te werk:
 - Stop de grasmaaier, laat de schakelhendel los en wacht tot het snijblad helemaal tot stilstand is gekomen.
 - Verwijder de accu.
 - Controleer de grasmaaier zorgvuldig op beschadigingen.
 - Vervang het snijblad als het op enige wijze beschadigd is. Repareer alle beschadigingen voordat u de grasmaaier opnieuw start en in gebruik neemt.
24. Start de grasmaaier niet terwijl u recht voor de uitwerpopening staat.
25. Als de grasmaaier abnormaal gaat trillen of schudden (onmiddellijk controleren)
 - inspecteer op schade;
 - vervang of repareer alle beschadigde delen;
 - controleer op loszittende delen en zet die goed vast.
26. Richt het uitgeworpen materiaal nooit op iemand. Voorkom dat materiaal wordt uitgeworpen tegen een muur of obstakel. Het materiaal kan terugkaatsen naar de gebruiker. Zet het snijblad stil wanneer u een verharde ondergrond oversteekt.
27. Trek de grasmaaier niet naar achteren behalve indien absoluut noodzakelijk. Wanneer u niet anders kan dan de grasmaaier achteruit te bewegen vanaf een afrastering of andere, soortgelijke obstructie, kijkt u omlaag en naar achter de grasmaaier vóór en tijdens het achteruit bewegen.
28. Schakel de motor uit en wacht tot het snijblad volledig tot stilstand is gekomen, voordat u de grasvanger verwijdert. Denk eraan dat het snijblad blijft nalopen nadat de grasmaaier is uitgeschakeld.
29. Als u het gereedschap op een modderige ondergrond, natte helling of gladde plaats gebruikt, let u erop dat u stevig staat.
30. Dompel het gereedschap niet onder in een waterplas.
31. Let bij het gebruik van het gereedschap op leidingen en kabels.

Onderhoud en opslag

1. Vervang alle versleten of beschadigde onderdelen, voor uw veiligheid. Gebruik uitsluitend originele vervangingsonderdelen en accessoires.
2. Inspecteer en onderhoud de grasmaaier regelmatig.
3. Indien niet in gebruik, bewaart u de grasmaaier buiten bereik van kinderen.
4. Zorg dat alle moeren, bouten en schroeven stevig zijn aangedraaid, om het gereedschap veilig te kunnen gebruiken.
5. Controleer veelvuldig de grasmand op slijtage en beschadigingen. Voor de opslag, verzekert u uzelf ervan dat de grasmand leeg is. Vervang een versleten grasmand uit veiligheidsoverwegingen altijd door een origineel, nieuw vervangingsonderdeel.
6. Gebruik uitsluitend de in deze handleiding door de fabrikant voorgeschreven snijbladen.
7. Wees uiterst voorzichtig tijdens het bijstellen van de grasmaaier om te voorkomen dat uw vingers bekneld raken tussen het draaiende snijblad en de vaste delen van de grasmaaier.
8. Controleer veelvuldig of de snijbladbevestigingsbout stevig vast zit.
9. Laat de grasmaaier altijd eerst afkoelen voordat u hem opbergt.
10. Onthoud goed bij onderhoud aan de snijbladen dat ook als de stroom is uitgeschakeld, de snijbladen nog wel kunnen bewegen.
11. Haal de veiligheidsvoorzieningen niet uit elkaar en knoei er niet aan. Controleer regelmatig of ze correct werken. Doe nooit iets dat de beoogde werking van een veiligheidsvoorziening hindert of de bescherming die een veiligheidsvoorziening biedt vermindert.
12. Laat het gereedschap niet onbeheerd buiten in de regen staan.
13. Wanneer u de machine opbergt, vermijdt u direct zonlicht en regen, en bergt u het op een plaats op die niet heet of vochtig wordt.

Gebruik en verzorging van gereedschap dat op een accu werkt

1. Laad alleen op met de acculader aanbevolen door de fabrikant. Een acculader die geschikt is voor een bepaald type accu, kan brandgevaar opleveren indien gebruikt met een ander type accu.
2. Gebruik elektrisch gereedschap uitsluitend met de daarvoor bestemde accu. Gebruik van andere accu's kan gevaar voor letsel of brandgevaar opleveren.
3. Als de accu niet wordt gebruikt, houdt u deze uit de buurt van metalen voorwerpen, zoals paperclips, muntclips, sleutels, spijkers, schroeven en andere kleine metalen voorwerpen die een kortsluiting kunnen veroorzaken tussen de accupolen. Kortsluiting tussen de accupolen kan leiden tot brandwonden of brand.
4. Onder zware gebruiksomstandigheden kan vloeistof uit de accu komen. Voorkom aanraking! Als u er per ongeluk mee in aanraking komt, spoelt u het er met water af. Als de vloeistof in uw ogen komt, raadpleegt u tevens een arts. Vloeistof uit de accu kan irritatie en brandwonden veroorzaken.

5. **Gebruik geen accu of gereedschap dat beschadigd of gewijzigd is.** Beschadigde of gewijzigde accu's kunnen onvoorspelbaar gedrag vertonen dat kan leiden tot brand, explosie of gevaar van letsel.
6. **Stel een accu of gereedschap niet bloot aan vuur of buitensporige temperaturen.** Blootstelling aan vuur of temperaturen hoger dan 130 °C kunnen een explosie veroorzaken.
7. **Volg alle oplaadinstructions en laad de accu of het gereedschap niet op buiten het temperatuurbereik opgegeven in de instructies.** Verkeerd opladen of bij een temperatuur buiten het opgegeven bereik kan de accu beschadigen en de kans op brand vergroten.

Elektrische veiligheid en accu

1. **Werp de accu('s) niet in een vuur.** De accu kan exploderen. Raadpleeg de lokale regelgeving voor mogelijke speciale verwerkingsvereisten.
2. **Open of vervorm de accu('s) niet.** Het elektrolyt is agressief en kan letsel toebrengen aan de ogen en huid. Het kan giftig zijn bij inslikken.
3. **Laad de accu niet op in de regen of op een natte plaats.**
4. **Laad de accu niet buitenshuis op.**
5. **Raak de lader, inclusief de stekker en de contacten van de lader, niet met natte handen aan.**
6. **Vervang de accu niet in de regen.**
7. **Laat de aansluitpunten van de accu niet nat worden met een vloeistof, zoals water, en dompel de accu niet onder.** Laat de accu niet in de regen liggen en laad of berg de accu niet op een vochtige of natte plaats op. Als de aansluitpunten nat worden of vloeistof binnendringt in de accu, kan kortsluiting ontstaan in de accu en bestaat de kans op oververhitting, brand of explosie.
8. **Nadat de accu vanaf het gereedschap of de acculader is verwijderd, vergeet u niet het accudeksel op de accu te bevestigen en deze op een droge plaats op te bergen.**
9. **Vervang de accu niet met natte handen.**
10. **Vermijd gevaarlijke omgevingen. Gebruik de machine niet op vochtige of natte plaatsen en stel hem niet bloot aan regen.** Als water binnendringt in de machine, wordt de kans op een elektrische schok groter.
11. **Als de accu nat wordt, laat u het water eruit lopen en veegt u hem af met een droge doek. Laat de accu volledig drogen op een droge plaats voordat u hem gebruikt.**

Reparatie

1. **Laat uw elektrisch gereedschap repareren door een vakbekwame reparateur die gebruik maakt van uitsluitend identieke vervangingsonderdelen.** Zo bent u ervan verzekerd dat de veiligheid van het elektrisch gereedschap behouden blijft.
2. **Repareer nooit een beschadigde accu.** Het repareren van een accu mag uitsluitend worden uitgevoerd door de fabrikant of een erkend servicecentrum.

BEWAAR DEZE VOORSCHRIFTEN.

⚠WAARSCHUWING: Laat u NIET misleiden door een vals gevoel van comfort en bekendheid met het gereedschap (na veelvuldig gebruik) en neem alle veiligheidsvoorschriften van het betreffende gereedschap altijd strikt in acht.

VERKEERD GEBRUIK of het niet naleven van de veiligheidsvoorschriften in deze gebruiksaanwijzing kan leiden tot ernstige verwondingen.

Belangrijke veiligheidsinstructies voor een accu

1. **Lees alle voorschriften en waarschuwingen op (1) de acculader, (2) de accu, en (3) het product waarvoor de accu wordt gebruikt, alvorens de accu in gebruik te nemen.**
2. **Haal de accu niet uit elkaar en saboteer hem niet.** Dit kan leiden tot brand, buitensporige hitte of een explosie.
3. **Als de gebruikstijd van een opgeladen accu aanzienlijk korter is geworden, moet u het gebruik ervan onmiddellijk stopzetten.** Voortgezet gebruik kan oververhitting, brandwonden en zelfs een ontploffing veroorzaken.
4. **Als elektrolyt in uw ogen is terechtgekomen, spoelt u uw ogen met schoon water en roept u onmiddellijk de hulp van een dokter in.** Elektrolyt in de ogen kan blindheid veroorzaken.
5. **Voorkom kortsluiting van de accu:**
 - (1) **Raak de accuklemmen nooit aan met een geleidend materiaal.**
 - (2) **Bewaar de accu niet in een bak waarin andere metalen voorwerpen zoals spijkers, munten e.d. worden bewaard.**
 - (3) **Stel de accu niet bloot aan water of regen.** Kortsluiting van de accu kan oorzaak zijn van een grote stroomafgifte, oververhitting, brandwonden, en zelfs defecten.
6. **Bewaar en gebruik het gereedschap en de accu niet op plaatsen waar de temperatuur kan oplopen tot 50 °C of hoger.**
7. **Werp de accu nooit in het vuur, ook niet wanneer hij zwaar beschadigd of volledig versleten is. De accu kan ontploffen in het vuur.**
8. **Laat de accu niet vallen, sla er geen spijker in, snij er niet in, gooi er niet mee en stoot hem niet tegen een hard voorwerp.** Dergelijke handelingen kunnen leiden tot brand, buitensporige hitte of een explosie.
9. **Gebruik nooit een beschadigde accu.**
10. **De bijgeleverde lithium-ionbatterijen zijn onderhevig aan de vereisten in de wetgeving omtrent gevaarlijke stoffen.**

Voor commercieel transport en dergelijke door derden en transporteurs moeten speciale vereisten ten aanzien van verpakking en etikettering worden nageleefd. Als voorbereiding van het artikel dat wordt getransporteerd is het noodzakelijk een expert op het gebied van gevaarlijke stoffen te raadplegen. Houd u tevens aan mogelijk strengere nationale regelgeving. Blootliggende contactpunten moeten worden afgedekt met tape en de accu moet zodanig worden verpakt dat deze niet kan bewegen in de verpakking.

11. Wanneer u de accu wilt weggooiden, verwijdert u de accu vanaf het gereedschap en gooit u hem op een veilige manier weg. Volg bij het weggooiden van de accu de plaatselijke voorschriften.
12. Gebruik de accu's uitsluitend met de gereedschappen die door Makita zijn aanbevolen. Als de accu's worden aangebracht in niet-compatibele gereedschappen, kan dat leiden tot brand, buitensporige warmteontwikkeling, een explosie of lekkage van elektrolyt.
13. Als u het gereedschap gedurende een lange tijd niet denkt te gaan gebruiken, moet de accu vanaf het gereedschap worden verwijderd.
14. Tijdens en na gebruik, kan de accu heet worden waardoor brandwonden of koude brandwonden kunnen worden veroorzaakt. Wees voorzichtig bij het hanteren van een hete accu.
15. Raak de aansluitpunten van het gereedschap niet onmiddellijk na gebruik aan omdat deze heet genoeg kunnen zijn om brandwonden te veroorzaken.
16. Zorg ervoor dat geen steenslag, stof of grond vast komt te zitten op/in de aansluitpunten, openingen en groeven van de accu. Hierdoor kan oververhitting, brand, een barst en een storing in het gereedschap of de accu ontstaan waardoor brandwonden of persoonlijk letsel kunnen ontstaan.
17. Behalve indien gebruik van het gereedschap is toegestaan in de buurt van hoogspanningsleidingen, mag u de accu niet gebruiken in de buurt van een hoogspanningsleiding. Dit kan leiden tot een storing of een defect van het gereedschap of de accu.
18. Houd de accu uit de buurt van kinderen.

BEWAAR DEZE INSTRUCTIES.

⚠️ LET OP: Gebruik uitsluitend originele Makita accu's. Het gebruik van niet-originele accu's, of accu's die zijn gewijzigd, kan ertoe leiden dat de accu ontploft en brand, persoonlijk letsel en schade veroorzaakt. Ook vervalt daarmee de garantie van Makita op het gereedschap en de lader van Makita.

Tips voor een maximale levensduur van de accu

1. Laad de accu op voordat hij volledig ontladen is. Stop het gebruik van het gereedschap en laad de accu op telkens wanneer u vaststelt dat het vermogen van het gereedschap is afgenomen.
2. Laad een volledig opgeladen accu nooit opnieuw op. Te lang opladen verkort de levensduur van de accu.
3. Laad de accu op bij een omgevingstemperatuur tussen 10 °C en 40 °C. Laat een warme accu afkoelen alvorens hem op te laden.
4. Als de accu niet wordt gebruikt, verwijdert u hem vanaf het gereedschap of de lader.
5. Laad de accu op als u deze gedurende een lange tijd (meer dan zes maanden) niet gaat gebruiken.

MONTAGE

⚠️ WAARSCHUWING: Verzeker u er altijd van dat alle accu's zijn verwijderd voordat u enige werkzaamheden aan de machine gaat uitvoeren. Als u niet alle accu's verwijdert, kan dat leiden tot ernstig persoonlijk letsel als gevolg van onbedoeld starten.

⚠️ WAARSCHUWING: Start nooit de grasmaaier voordat het geheel naar behoren is gemonteerd. Het apparaat in een gedeeltelijk gemonteerde toestand bedienen, kan na per ongeluk inschakelen leiden tot ernstig persoonlijk letsel.

De handgreep aanbrengen

KENNISGEVING: Bij het aanbrengen van de handgrepen, let u erop dat het snoer niet bekneld raakt tussen de handgrepen. Als de kabel beschadigd is, werkt mogelijk de schakelaar van de grasmaaier niet.

1. Lijn de opening in de onderste handgreep uit met de opening in de bovenste handgreep en steek vervolgens de bout vanaf de buitenkant erdoor, en draai daarna de vingermoer vanaf de binnenkant vast. Voer dezelfde procedure uit aan de andere kant.
▶ Fig.1: 1. Bout 2. Vingermoer 3. Onderste handgreep 4. Bovenste handgreep
2. Trek aan de knop op de onderste handgreep en draai vervolgens de knop 90° om de vergrendelpen te ontgrendelen. Voer dezelfde procedure uit aan de andere kant. Zet de handgreep omhoog en draai daarna de knop aan beide zijanten 90°. Verzeker u ervan dat de knoppen stevig op hun plaats zitten.
▶ Fig.2: 1. Knop

OPMERKING: Door de handgreep te ondersteunen is het gemakkelijker om de vergrendelpen te ontgrendelen wanneer u aan de knop trekt.

OPMERKING: Wees voorzichtig wanneer u de knop draait dat de kabel niet bekneld raakt onder de knop.

- ▶ Fig.3: 1. Knop

Het mulch-inzetstuk verwijderen

1. Open de achterklep.
▶ Fig.4: 1. Achterklep
2. Trek het mulch-inzetstuk een stukje omhoog en verwijder het.
▶ Fig.5: 1. Mulch-inzetstuk

De grasmand in elkaar zetten

1. Til de bovenste clip van de grasmand op.
► **Fig.6:** 1. Bovenste clip
2. Steek het frame zo ver mogelijk in de grasmand terwijl u het handvat van het frame vasthoudt.
► **Fig.7:** 1. Handvat

KENNISGEVING: Steek het handvat niet in de grasmand. Zorg ervoor dat het frame langs de stiknaad van de grasmand loopt.

3. Verzeker u ervan dat de hoeken van de grasmand strak om het frame zitten.
► **Fig.8**
4. Open de bovenste clip en bevestig hem aan het frame.
► **Fig.9**
5. Bevestig alle andere clips, zoals aangegeven in de afbeelding. Verzeker u ervan dat alle clips stevig zijn bevestigd aan het frame.
► **Fig.10:** 1. Clip

De grasmand aanbrengen en verwijderen

Om de grasmand aan te brengen, volgt u de onderstaande stappen.

1. Open de achterklep.
► **Fig.11:** 1. Achterklep
2. Pak het handvat van de grasmand vast en haak vervolgens de grasmand aan de stang van het maaidak, zoals aangegeven in de afbeelding.
► **Fig.12:** 1. Grasmand 2. Handvat 3. Stang

Om de grasmand te verwijderen, opent u de achterklep en verwijdert u vervolgens de grasmand door het handvat vast te pakken.

Het mulch-inzetstuk aanbrengen

1. Open de achterklep en verwijder de grasmand.
► **Fig.13:** 1. Achterklep 2. Grasmand
2. Bevestig het mulch-inzetstuk door het zo ver mogelijk erin te duwen zodat de uitstekende nokken op het mulch-inzetstuk passen in de gaten in de machine.
► **Fig.14:** 1. Mulch-inzetstuk 2. Uitstekende nok

Het uitwerpkanal aanbrengen en verwijderen

Om het uitwerpkanal aan te brengen, volgt u de onderstaande stappen.

1. Open de achterklep en verwijder de grasmand en het mulch-inzetstuk.
2. Haak de openingen in het uitwerpkanal over de uitstekende nokken op het maaidak, zoals aangegeven in de afbeelding.
► **Fig.15:** 1. Uitwerpkanal 2. Uitstekende nok

Om het uitwerpkanal te verwijderen, opent u de achterklep en verwijdert u het uitwerpkanal.

BESCHRIJVING VAN DE FUNCTIES

De accu aanbrengen en verwijderen

⚠ LET OP: Schakel het gereedschap altijd uit voordat u de accu aanbrengt of verwijdert.

⚠ LET OP: Houd het apparaat en de accu stevig vast tijdens het aanbrengen of verwijderen van de accu. Als u het apparaat en de accu niet stevig vasthoudt, kunnen deze uit uw handen glijpen waardoor het apparaat of de accu kan worden beschadigd of persoonlijk letsel kan worden veroorzaakt.

⚠ LET OP: Zorg dat u voor gebruik het accudeksel stevig afsluit. Anders zou er modder, vuil en water in kunnen komen en het gereedschap of de accu kunnen beschadigen.

⚠ LET OP: Schuif de accu altijd volledig naar binnen totdat het rode deel niet meer zichtbaar is. Als u dit niet doet, kan de accu per ongeluk uit het apparaat vallen en letsel veroorzaken bij u of anderen in uw omgeving.

⚠ LET OP: Druk de accu er niet met kracht in. Als de accu er niet soepel in schuift, houdt u die waarschijnlijk in de verkeerde stand.

⚠ LET OP: Houd het accudeksel stevig vast tijdens het aanbrengen of verwijderen van de accu.

De accu aanbrengen:

1. Trek de vergrendelhendel omhoog en open daarna het accudeksel.
► **Fig.16:** 1. Accudeksel 2. Vergrendelhendel
2. Lijn de lip op de accu uit met de gleuf in het apparaat en schuif daarna de accu erin tot deze met een klikgeluid op zijn plaats wordt vergrendeld.
► **Fig.17:** 1. Accu

3. Sluit het accudeksel en duw erop totdat hij wordt vergrendeld met de borghendel.

De accu verwijderen:

1. Trek de vergrendelhendel omhoog en open het accudeksel.
2. Trek de accu uit het apparaat terwijl u de knop aan de voorkant van de accu verschuift.
3. Sluit het accudeksel.

Beveiligingssysteem voor apparaat/accu

Het apparaat is uitgerust met een beveiligingssysteem voor apparaat/accu. Dit systeem schakelt automatisch de voeding naar de motor uit om de levensduur van het apparaat en de accu te verlengen. Het apparaat kan tijdens het gebruik automatisch stoppen als het apparaat of de accu aan één van de volgende omstandigheden wordt blootgesteld:

Overbelastingsbeveiliging

Als de accu wordt gebruikt op een manier waardoor een abnormaal hoge stroom wordt getrokken, stopt het apparaat automatisch en knippert het bedrijfslampje groen. Wanneer dat gebeurt, schakelt u het apparaat uit en stopt u de toepassing die ertoe leidde dat het apparaat overbelast raakte. Schakel vervolgens het apparaat in om het weer te starten.

Oververhittingsbeveiliging

Wanneer het gereedschap oververhit is, stopt het gereedschap automatisch en gaat het bedrijfslampje rood branden. In dat geval laat u het apparaat en de accu's afkoelen, voordat u het apparaat opnieuw inschakelt.

OPMERKING: Wanneer de accu oververhit is, knippert het bedrijfslampje rood.

Beveiliging tegen te ver ontladen

Als de acculading onvoldoende is, stopt het apparaat automatisch en knippert het bedrijfslampje rood. Verwijder in dat geval de accu vanaf het apparaat en laad de accu's op of vervang de accu's door volledig opgeladen accu's.

Beveiligingen tegen andere oorzaken

Het beveiligingssysteem is ook ontworpen voor andere oorzaken die de machine kunnen beschadigen, en zorgt ervoor dat de machine automatisch stopt. Voer alle volgende stappen uit om de oorzaken op te heffen, wanneer de machine tijdelijk is onderbroken of tijdens het gebruik is gestopt.

1. Schakel de machine uit en schakel hem daarna weer in om hem opnieuw te starten.
2. Laad de accu(s) op of vervang hem/ze door (een) opgeladen accu(s).
3. Laat de machine en accu(s) afkoelen.

Als geen verbetering optreedt nadat het beveiligingssysteem is gereset, neemt u contact op met uw lokale Makita-servicecentrum.

KENNISGEVING: Als het gereedschap stopt als gevolg van een oorzaak die niet hierboven wordt beschreven, raadpleegt u het hoofdstuk **Problemen oplossen**.

De resterende acculading controleren

► **Fig.18:** 1. Accu-indicatorlampje

Als de resterende acculading laag wordt, knippert het accu-indicatorlampje aan de kant van de betreffende accu. Bij verder gebruik stopt de machine en brandt het accu-indicatorlampje. Laad in dat geval de accu op.

OPMERKING: Als twee accu's zijn aangebracht, wordt eerst de linker accu gebruikt.

OPMERKING: Als twee accu's zijn aangebracht, schakelt de machine automatisch over op de andere accu wanneer de eerste accu leeg raakt.

De resterende acculading controleren

Druk op de testknop op de accu om de resterende acculading te zien. De indicatorlampjes branden gedurende enkele seconden.

► **Fig.19:** 1. Indicatorlampjes 2. Testknop

Indicatorlampjes			Resterende acculading
Brandt	Uit	Knippert	
■	□	▩	75% tot 100%
■	■	■	50% tot 75%
■	■	□	25% tot 50%
■	□	□	0% tot 25%
▩	□	□	Laad de accu op.
■	■	□	Er kan een storing zijn opgetreden in de accu.
□	□	■	

OPMERKING: Afhankelijk van de gebruiksomstandigheden en de omgevingstemperatuur, is het mogelijk dat de aangegeven acculading verschilt van de werkelijke acculading.

OPMERKING: Het eerste (meest linker) indicatorlampje knippert wanneer het accubeveiligingssysteem in werking is getreden.

Bedieningspaneel

Op het bedieningspaneel zitten de hoofdschakelaar en de functieschakelknop.

► **Fig.20:** 1. Lamp van de zachte, onbelaste functie
2. Lamp van de geluidsonderdrukingsfunctie
3. Functieschakelknop 4. Bedrijfslampje
5. Hoofdschakelaar

Hoofdschakelaar

WAARSCHUWING: Zet altijd de hoofdschakelaar uit indien niet in gebruik.

Om het gereedschap in te schakelen, drukt u op de hoofdschakelaar. Het bedrijfslampje brandt groen. Om het gereedschap uit te schakelen, drukt u nogmaals op de hoofdschakelaar.

OPMERKING: Als het bedrijfslampje rood brandt, of rood of groen knippert, raadpleegt u de instructies voor het apparaat-/accubeveiligingssysteem.

OPMERKING: Dit gereedschap maakt gebruik van de automatische uitschakelfunctie. Om onbedoeld starten te voorkomen wordt de hoofdschakelaar automatisch uitgeschakeld wanneer de schakelhendel en de aandrijfhendel (indien aanwezig) niet worden ingeknepen binnen een bepaalde tijdsduur nadat de hoofdschakelaar is ingeschakeld.

Funcieschakelknop

U kunt de bedieningsfunctie veranderen door op de functie-schakelknop te drukken. Wanneer het gereedschap wordt ingeschakeld, start het gereedschap in de normale functie. Raadpleeg de onderstaande tabel voor elke functie.

Functie	Lamp	Beschrijving
Normale functie	Zowel de lamp van de zachte, onbelaste functie als de lamp van de geluidsonderdrukkingsfunctie is uit.	De machine werkt in de normale functie.
Zachte, onbelaste functie	De lamp van de zachte, onbelaste functie brandt groen.	U kunt de startschok minimaliseren en de machine geleidelijk laten opstarten.
Geluidsonderdrukkingsfunctie	De lamp van de geluidsonderdrukkingsfunctie brandt groen.	U kunt het geluidsniveau tijdens het maaien verlagen.

De trekkerschakelaar gebruiken

WAARSCHUWING: Alvorens u de accu aanbrengt, controleert u eerst of de schakelhendel goed werkt en bij loslaten automatisch naar de oorspronkelijke stand terugkeert. Bediening van het apparaat met een schakelaar die niet goed werkt kan leiden tot ongecontroleerde bewegingen, met kans op ernstig lichamelijk letsel.

OPMERKING: De grasmaaier start niet zonder dat u de schakelknop indrukt, ook al trekt u de schakelhendel in.

OPMERKING: De grasmaaier start mogelijk niet vanwege overbelasting wanneer u lang of dicht gras in één keer probeert te maaien. Stel in dat geval de maaiahogte hoger in.

Deze machine is uitgerust met de schakelknop. Als er iets niet in orde is met de schakelknop, stopt u onmiddellijk met het gebruik en laat u de machine controleren door uw dichtstbijzijnde erkende Makita-servicecentrum.

1. Breng de accu's aan en sluit daarna het accudeksel.
2. Druk op de hoofdschakelaar.

OPMERKING: Het bedrijfslampje knippert groen als u op de hoofdschakelaar drukt terwijl u aan de schakelhendel trekt. Laat de schakelhendel los voordat u op de hoofdschakelaar drukt.

3. Trek de schakelhendel naar u toe terwijl u de schakelknop ingedrukt houdt. Laat de schakelknop los nadat de motor draait.

► **Fig.21:** 1. Schakelknop 2. Schakelhendel

4. Terwijl u de schakelhendel vasthoudt, duwt u de aandrijfhendel naar voren en houdt u deze vast om de achterwielen aan te drijven.

► **Fig.22:** 1. Aandrijfhendel

OPMERKING: U kunt de achterwielen aandrijven door de aandrijfhendel naar voren te duwen en deze vast te houden zonder de schakelhendel naar u toe te trekken.

5. Laat de aandrijfhendel en de schakelhendel los om het apparaat te stoppen.

De maaiahogte instellen

WAARSCHUWING: Plaats bij het instellen van de maaiahogte nooit uw hand of voet onder de grasmaaierbehuizing.

WAARSCHUWING: Controleer vóór het gebruik zorgvuldig of de hendel juist in de gleuf valt.

De maaiahogte is instelbaar binnen een bereik van 20 mm tot 100 mm.

Schakel de machine uit en trek vervolgens de maaiahogte-instelhendel tot buiten het maaidek en verplaats deze naar de gewenste maaiahogte.

► **Fig.23:** 1. Maaiahogte-instelhendel

De onderstaande tabel toont het verband tussen het cijfer op het maaidek en de maaiahogte bij benadering.

Cijfer	Maaiahogte
1	20 mm
2	26 mm
3	32 mm
4	39 mm
5	47 mm
6	55 mm
7	63 mm
8	74 mm
9	86 mm
10	100 mm

Houd de onderste handgreep met één hand vast en verplaats vervolgens de maaiahogte-instelhendel met de andere hand.

► **Fig.24:** 1. Maaiahogte-instelhendel 2. Onderste handgreep

OPMERKING: De waarden voor de maaiahogte mogen slechts als richtlijn worden gebruikt. Afhankelijk van de toestand van het gazon en de ondergrond, kan de daadwerkelijke gazonhoogte iets afwijken van de ingestelde hoogte.

OPMERKING: Met een maaiproef in een minder opvallende plaats kunt u door uitproberen de gewenste hoogte vinden.

Grasniveau-indicator

De grasniveau-indicator geeft de hoeveelheid gemaaid gras aan. Zolang de grasmand nog niet vol is, zal de indicator blijven zweven terwijl de snijbladen draaien.

► **Fig.25:** 1. Grasniveau-indicator

Wanneer de grasmand bijna vol is, zal de indicator niet meer zweven terwijl de snijbladen draaien. In dat geval stopt u onmiddellijk het gebruik en leegt u de grasmand.

► **Fig.26:** 1. Grasniveau-indicator

OPMERKING: Deze indicator is slechts een grove richtlijn. Afhankelijk van de toestand binnenin de grasmand, werkt deze indicator niet altijd goed.

De hoogte van de handgreep afstellen

De hoogte van de handgreep kan worden afgesteld op twee hoogten.

1. Houd de onderste handgreep vast, trek aan de knop op de onderste handgreep en draai vervolgens de knop 90° om de vergrendelen te ontgrendelen. Voer dezelfde procedure uit aan de andere kant.
► **Fig.27:** 1. Onderste handgreep 2. Knop

OPMERKING: Door de handgreep te ondersteunen is het gemakkelijker om de vergrendelen te ontgrendelen wanneer u aan de knop trekt.

2. Stel de hoogte van de handgreep af en draai daarna de knop aan beide zijanten 90°. Verzeker u ervan dat de knoppen stevig op hun plaats zitten.
► **Fig.28:** 1. Knop

De rijsnelheid afstellen

- **Fig.29:** 1. Snelheidshendel

De rijsnelheid kan worden ingesteld met behulp van de snelheidshendel. Om de snelheid te verlagen, trekt u de hendel naar u toe, en om de snelheid te verhogen kantelt u de hendel naar voren.

Het mulch-inzetstuk gebruiken

Het mulch-inzetstuk maakt het mogelijk om het maaisel naar de grond terug te voeren zonder het maaisel op te vangen in de grasmand. Wanneer u het apparaat met het mulch-inzetstuk gebruikt, moet u de grasmand of het uitwerpkanaal verwijderen.

KENNISGEVING: Wanneer u de machine met het mulch-inzetstuk gebruikt, verzekert u zich ervan dat de totale lengte van het gras na het maaien 30 mm of meer is, en de maailengte 15 mm of minder is.

- **Fig.30:** (1) 30 mm of meer (2) 15 mm of minder

Het uitwerpkanaal gebruiken

Het uitwerpkanaal maakt het mogelijk om het maaisel aan de rechterkant van de machine op de grond te werpen zonder het maaisel op te vangen in de grasmand. Wanneer u de machine met het uitwerpkanaal gebruikt, moet u de grasmand en het mulch-inzetstuk verwijderen.

De achteruitworp gebruiken

Met behulp van de achteruitworp kunt u het maaisel aan de achterkant van de machine op de grond te werpen zonder het maaisel op te vangen in de grasmand. Wanneer u de machine met de achteruitworp gebruikt, moet u het mulch-inzetstuk en de grasmand of het uitwerpkanaal verwijderen en de achterklep sluiten.

Elektronische functies

Het gereedschap is uitgerust met elektronische aansturing voor een gemakkelijke bediening.

- Zachte-start bij aandrijving
De functie zachte-start minimaliseert de startschok en laat het gereedschap geleidelijk starten.
- Elektrische rem
Dit apparaat is voorzien van een elektrische rem. Als het apparaat constant niet in staat is de snijbladen van de grasmaaiër snel stil te zetten nadat de schakelhendel is losgelaten, laat u het apparaat onderhouden door een erkend Makita-servicecentrum.

BEDIENING

Maaien

⚠WAARSCHUWING: Voor het maaien verwijdert u alle takken en stenen van het te maaien terrein. Bovendien kunt u beter ook van tevoren alle onkruid uit het te maaien grasveld wieden.

⚠WAARSCHUWING: Draag bij het maaien altijd een beschermende bril of een veiligheidsbril met volledig gesloten zijkantbescherming.

⚠LET OP: Als het maaisel of een vreemd voorwerp zich ophoopt binnenin het maaidek, verwijdert u eerst de accu's en trekt u altijd handschoenen aan voordat u het maaisel of vreemde voorwerp verwijdert.

KENNISGEVING: Gebruik deze machine alleen voor het maaien van een gazon. Maai geen onkruid met deze machine.

- **Fig.31**

Houd bij het maaien de handgreep met beide handen stevig vast. De richtlijn voor de maaisnelheid is ongeveer 7 tot 14 meter per 10 seconden.

- **Fig.32**

OPMERKING: Als na het maaien van lang of dicht-begroeid gras ongelijkheid in de graslengte of een slechte afwerking wordt geconstateerd, of als u tijdens het maaien merkt dat het motortoerental daalt, verlaagt u het motortoerental tot minder dan is aanbevolen in deze handleiding, of stelt u de maaihogte hoger in.

De middellijnen van de voorwielen kunnen worden gebruikt als richtlijn voor de maaibreedte. Gebruik de middellijnen als richtlijn bij het maaien in banen. Overlap elke baan met de helft of een derde van de breedte van de vorige baan om het gazon gelijkmatig te maaien.

- **Fig.33:** 1. Maaibreedte 2. Overlapping 3. Middenlijn

Verander de maairichting bij elke baan om te voorkomen dat het graspatroon in één richting wordt gevormd.
► **Fig.34**

Controleer regelmatig het gemaaid gras in de grasmand. Leeg de grasmand voordat deze vol raakt. Vergeet niet de machine te stoppen en uit te schakelen voorafgaand aan elke regelmatige controle.

KENNISGEVING: Als u de grasmaaier gebruikt met een volle grasmand kan het snijblad niet soepel draaien, hetgeen de motor overmatig belast, waardoor de kans op defecten toeneemt.

Een lang gazon maaien

Probeer niet om een lang gazon in één keer kort te maaien. Maai in plaats daarvan het gazon in meerdere maai beurten kort. Laat een dag of twee tussen de maai beurten, tot het gazon gelijkmatig kort is.

► Fig.35

OPMERKING: Als u een lang gazon in één keer kort maait, kan het gras dood gaan. Tevens kan de binnenkant van het maaidek verstopt raken door het gemaaid gras.

OPMERKING: Als na het maaien ongelijkheid in de graslengte of een slechte afwerking wordt geconstateerd, of als u tijdens het maaien merkt dat het motor-toerental daalt, verlaagt u het motortoerental of stelt u de maaihoogte hoger in.

De grasmand legen

⚠WAARSCHUWING: Om ongelukken te voorkomen, controleert u regelmatig de grasmand op schade of verzwakking door slijtage. Vervang zo nodig de grasmand.

1. Laat de schakelhendel en de aandrijfhendel los.
2. Schakel de machine uit.
3. Open de achterklep en verwijder de grasmand door het handvat vast te pakken.

► Fig.36: 1. Achterklep 2. Handvat 3. Grasmand

4. Leeg de grasmand.

ONDERHOUD

⚠WAARSCHUWING: Verzekert u er altijd van dat de accu's uit de machine zijn verwijderd voordat u de machine opbergt of draagt, of voordat u inspectie of onderhoud gaat verrichten.

⚠WAARSCHUWING: Draag handschoenen bij het verrichten van inspectie of onderhoud.

⚠WAARSCHUWING: Draag bij het verrichten van inspectie of onderhoud altijd een beschermende bril of een veiligheidsbril met zijkappen.

KENNISGEVING: Gebruik nooit benzine, wasserbenzine, thinner, alcohol en dergelijke. Hierdoor kunnen verkleuring, vervormingen en barsten worden veroorzaakt.

Om de VEILIGHEID en BETROUWBAARHEID van het gereedschap te handhaven, dienen alle reparaties, onderhoud of afstellingen te worden uitgevoerd bij een erkend Makita-servicecentrum of de Makita-fabriek, en altijd met gebruik van Makita-ervangingsonderdelen.

Onderhoud

1. Verwijder alle accu's en sluit daarna het accudeksel.
2. Leg de grasmaaier op zijn zijkant. Reinig het maaisel dat zich heeft opgehoopt op de onderkant van het maaidek.
3. Giet water op de onderkant van het gereedschap waaraan het snijblad is bevestigd.

KENNISGEVING: Was het gereedschap niet met water onder hoge druk.

4. Controleer of alle moeren, bouten, schroeven enz. stevig vast zitten.
5. Inspecteer de bewegende onderdelen op schade, defecten en slijtage. Beschadigde of ontbrekende onderdelen moeten worden gerepareerd of vervangen.
6. Berg de grasmaaier op een veilige plaats op buiten bereik van kinderen.

KENNISGEVING: Giet geen water op het gedeelte aangegeven in de afbeelding. Als u water giet op de motoreenheid kan een storing in het apparaat worden veroorzaakt.

► Fig.37: 1. Gebied waar geen water op mag worden gegoten

KENNISGEVING: Giet geen water op de machine terwijl de machine rechtop staat, zoals aangegeven in de afbeelding. Als de machine rechtop staat, kan het water in de motor stromen en een storing in de machine veroorzaken.

► Fig.38

De grasmaaier dragen

⚠LET OP: Voordat u de grasmaaier draagt, verzekert u zich ervan dat de accu's zijn verwijderd.

Wanneer u de grasmaaier draagt, houdt u het achterhandvat en de onderste draaggreep aan de voorkant van de machine met twee personen vast, zoals aangegeven in de afbeelding.

► Fig.39: 1. Onderste draaggreep 2. Achterhandvat

Opbergen

⚠LET OP: Wanneer u de machine rechtop zet, plaatst u de machine op een vlakke en stabiele ondergrond. Als de machine op een instabiele ondergrond wordt geplaatst, kan de machine omvallen en letsel veroorzaken.

Berg de grasmaaier binnenshuis op, in een koele, droge en afgesloten ruimte. Berg de grasmaaier en de accu's niet op op een plaats waar de temperatuur tot 40 °C of hoger kan oplopen.

1. Verwijder alle accu's.
2. Trek aan de knop op de onderste handgreep en draai vervolgens de knop 90° om de vergrendelings te ontgrendelen. Voer dezelfde procedure uit aan de andere kant en kantel daarna de handgreep voorover.

► Fig.40: 1. Knop

OPMERKING: Door de handgreep te ondersteunen is het gemakkelijker om de vergrendelpen te ontgrendelen wanneer u aan de knop trekt.

3. Draai de knop aan beide zijanten 90°. Verzeker u ervan dat de knoppen stevig op hun plaats zitten.
► **Fig.41:** 1. Knop

KENNISGEVING: Let bij het omklappen van de handgreep erop dat de snoeren niet bekneld raakt.

4. Draai de vingermoer aan beide zijanten los en klap daarna de bovenste handgreep om, zoals aangegeven in de afbeelding.
► **Fig.42:** 1. Vingermoer 2. Bovenste handgreep

5. Zet de machine rechtop.

OPMERKING: Wanneer u de grasmaaier rechtop zet, mag u niet alleen de handgreep vastpakken, maar pakt u het maaidek en de handgreep vast.

6. Berg de grasmand op zoals aangegeven in de afbeelding.
► **Fig.43:** 1. Grasmand
► **Fig.44:** 1. Grasmand

Het snijblad van de grasmaaier aanbrengen of verwijderen

WAARSCHUWING: Nadat de schakelhendel is losgelaten, blijft het snijblad nog enkele seconden nadraaien. Voer geen enkele handeling uit voordat het snijblad volledig tot stilstand is gekomen.

WAARSCHUWING: Verwijder altijd alle accu's voordat u het snijblad gaat verwijderen of aanbrengen. Als u niet alle accu's verwijdert, kan dat leiden tot ernstig letsel.

WAARSCHUWING: Draag bij het hanteren van het snijblad altijd handschoenen.

KENNISGEVING: Gebruik bij het verwijderen en aanbrengen van het maaimes de pijpsleutel die in de verpakking van het gereedschap werd geleverd.

Het snijblad van de grasmaaier verwijderen

1. Leg de grasmaaier zodanig op zijn zijkant dat de maaihoopte-instelhendel bovenop komt.
2. Om het snijblad te blokkeren, steekt u de pen zo ver mogelijk in de opening in het maaidek.
3. Draai de bout linksom met pijpsleutel 17.
► **Fig.45:** 1. Snijblad van de grasmaaier 2. Pen 3. Pijpsleutel
4. Verwijder de bout en daarna het snijblad van de grasmaaier.
► **Fig.46:** 1. Snijbladvoet 2. Snijblad van de grasmaaier 3. Bout 4. Uitstekende nok

KENNISGEVING: Bij het aanbrengen van het snijblad van de grasmaaier, verzekert u zich ervan dat de uitstekende nokken op de snijbladvoet in de openingen van het snijblad van de grasmaaier vallen.

Het snijblad van de grasmaaier monteren

WAARSCHUWING: Breng het snijblad van de grasmaaier zorgvuldig aan. Het heeft een boven- en onderkant.

WAARSCHUWING: Draai de bout rechtsom stevig aan om het snijblad vast te zetten.

WAARSCHUWING: Zorg ervoor dat het snijblad van de grasmaaier en alle bevestigingsdelen correct zijn aangebracht en stevig zijn vastgezet.

WAARSCHUWING: Als u het snijblad vangt, volgt u altijd de instructies die in deze handleiding worden gegeven.

KENNISGEVING: Na het aanbrengen van de snijbladen van de grasmaaier, verwijdert u de pen uit het maaidek.

KENNISGEVING: Bij het vastdraaien van de bout waarmee het maaimes wordt bevestigd, oefent u een aanhaalkoppel van 19 - 29 N·m uit (deze waarden zijn slechts ter referentie).

Om de snijbladen van de grasmaaier aan te brengen, volgt u de verwijderingsprocedure in omgekeerde volgorde.

PROBLEMEN OPLOSSEN

Alvorens u verzoekt om reparatie, kunt u zelf als volgt het probleem opsporen en oplossen. Als u een probleem ondervindt dat niet in deze gebruiksaanwijzing wordt beschreven, mag u niet proberen het apparaat uit elkaar te halen. Laat reparaties over aan een erkend Makita-servicecentrum, uitsluitend met gebruik van originele Makita-vervangingsonderdelen.

Probleemomschrijving	Waarschijnlijke oorzaak (storing)	Oplossing
De grasmaaier start niet.	De accu is niet aangebracht.	Breng een opgeladen accu aan.
	Probleem met de accu (onvoldoende spanning)	Laad de accu op. Als het opladen geen effect heeft, vervangt u de accu.
Na kortstondig gebruik stopt de motor al gauw.	De accu is bijna leeg.	Laad de accu op. Als het opladen geen effect heeft, vervangt u de accu.
	De maaihoogte is te laag.	Vergroot de maaihoogte.
	Maaisel heeft zich opgehoopt in de grasmaaier.	Verwijder het opgehoopte maaisel vanaf de grasmaaier.
Het maximale motortoerental wordt niet bereikt.	De accu is niet juist aangebracht.	Breng de accu aan zoals beschreven in deze handleiding.
	De accuspanning valt weg.	Laad de accu op. Als het opladen geen effect heeft, vervangt u de accu.
	Het aandrijfsysteem werkt niet goed.	Vraag uw plaatselijke erkende servicecentrum om reparatie.
Het snijblad van de grasmaaier draait niet rond: ⇒ stop de grasmaaier onmiddellijk!	Een vreemd voorwerp, zoals een tak, is vastgeraakt dichtbij het snijblad.	Verwijder het vreemde voorwerp.
	Het aandrijfsysteem werkt niet goed.	Vraag uw plaatselijke erkende servicecentrum om reparatie.
Abnormale trillingen: ⇒ stop de grasmaaier onmiddellijk!	Het snijblad is niet meer gebalanceerd, of overmatig of ongelijkmatig gesleten.	Vervang het snijblad.

OPTIONELE ACCESSOIRES

⚠ LET OP: Deze accessoires of hulpstukken worden aanbevolen voor gebruik met het Makita-apparaat dat in deze gebruiksaanwijzing wordt beschreven. Het gebruik van andere accessoires of hulpstukken kan gevaar voor persoonlijke verwonding opleveren. Gebruik accessoires of hulpstukken uitsluitend voor de aangegeven doeleinden.

Wenst u meer bijzonderheden over deze accessoires, neem dan contact op met het plaatselijke Makita-servicecentrum.

- Snijblad van de grasmaaier
- Originele Makita-accu en -acculader

OPMERKING: Sommige items op de lijst kunnen zijn inbegrepen in de doos van het product als standaard toebehoren. Deze kunnen van land tot land verschillen.

ESPECIFICACIONES

Modelo:	LM001G	LM002G
Anchura de la siega (diámetro de la cuchilla)	480 mm	534 mm
Velocidad en vacío	Modo normal	3.200 min ⁻¹
	Modo suave sin carga	2.500 - 3.200 min ⁻¹
	Modo reducción de ruido	2.500 min ⁻¹
Número de pieza de cuchilla de cortacésped de recambio	Cuchilla de cortacésped recta	191V97-3
	Cuchilla de cortacésped recta *1	-
	Cuchilla de mullidor	191Y64-6
Dimensiones (La x An x Al)	durante la operación	La: 1.670 mm a 1.745 mm An: 550 mm Al: 965 mm a 1.075 mm
	cuando está almacenado (sin cesta para hierba)	585 mm x 550 mm x 900 mm
Velocidad de desplazamiento	1,5 - 5,0 km/h	
Tensión nominal	CC 36 V - 40 V máx.	
Peso neto	28,0 - 33,0 kg	29,3 - 34,5 kg
Grado de protección	IPX4	

*1. Cuchilla de cortacésped para una recogida más eficiente del césped.

- Debido a nuestro continuado programa de investigación y desarrollo, las especificaciones aquí dadas están sujetas a cambios sin previo aviso.
- Las especificaciones pueden ser diferentes de país a país.
- El peso puede variar dependiendo del accesorio(s), incluyendo el cartucho de batería. La combinación menos pesada y la más pesada, de acuerdo con el procedimiento EPTA 01/2014, se muestran en la tabla.

Cartucho de batería y cargador aplicables

Cartucho de batería	BL4020 / BL4025 / BL4040* / BL4040F* / BL4050F* / BL4080F* *: Batería recomendada
Cargador	DC40RA / DC40RB / DC40RC / DC40WA


- Algunos de los cartuchos de batería y cargadores indicados arriba puede que no estén disponibles dependiendo de su región de residencia.


⚠ ADVERTENCIA: Utilice solamente los cartuchos de batería y cargadores indicados arriba. La utilización de cualquier otro cartucho de batería y cargador puede ocasionar heridas y/o un incendio.


⚠ ADVERTENCIA: No utilice un suministro de alimentación con cable como un adaptador de batería o unidad portátil de alimentación eléctrica con esta máquina. El cable de tal suministro de alimentación puede dificultar la operación y resultar en heridas personales.

Símbolos

A continuación se muestran los símbolos que pueden ser utilizados para el equipo. Asegúrese de que entiende su significado antes de utilizar.

 Preste cuidado y atención especiales.

 Lea el manual de instrucciones.

 Peligro; sea consciente de que salen objetos lanzados.



La distancia entre la herramienta y los transeúntes deberá ser de 15 m por lo menos.



No ponga nunca sus manos ni pies cerca de la cuchilla de cortacésped situada debajo del cortacésped. Las cuchillas de cortacésped siguen girando después de apagar el motor.



Advertencia: Desconecte la batería antes de hacer el mantenimiento.



Riesgo eléctrico. El contacto con agua puede ocasionar una descarga eléctrica.



No vierta agua.



Sólo para países de la Unión Europea
Debido a la presencia de componentes peligrosos en el equipo, el equipo eléctrico y electrónico, los acumuladores y las baterías desechados pueden tener un impacto negativo para el medioambiente y la salud humana. ¡No tire los aparatos eléctricos y electrónicos ni las baterías junto con los residuos domésticos! De conformidad con las Directivas Europeas sobre residuos de aparatos eléctricos y electrónicos y sobre acumuladores y baterías y residuos de acumuladores y baterías, así como la adaptación de las mismas a la ley nacional, el equipo eléctrico, las baterías y los acumuladores desechados deberán ser almacenados por separado y trasladados a un punto distinto de recogida de desechos municipales, que cumpla con los reglamentos sobre protección medioambiental. Esto se indica mediante el símbolo de cubo de basura tachado colocado en el equipo.



Nivel de potencia del sonido garantizado de acuerdo con la Directiva UE sobre ruido ambiental.



Nivel de potencia del sonido de acuerdo con el reglamento para el control de ruido en NSW, Australia

Uso previsto

La máquina ha sido prevista para segar césped.

Ruido

El nivel de ruido A-ponderado típico determinado de acuerdo con la norma EN62841-4-3:

Modelo LM001G

Nivel de potencia de sonido medido (L_{WA}): 91 dB (A)
Nivel de potencia de sonido garantizado (L_{WA}): 94 dB (A)
Nivel de presión sonora (L_{pA}): 81 dB (A)
Incertidumbre para nivel de presión del sonido (K): 3 dB (A)

Modelo LM002G

Nivel de potencia de sonido medido (L_{WA}): 91 dB (A)
Nivel de potencia de sonido garantizado (L_{WA}): 94 dB (A)
Nivel de presión sonora (L_{pA}): 81 dB (A)
Incertidumbre para nivel de presión del sonido (K): 3 dB (A)

NOTA: El valor (o los valores) de emisión de ruido declarado ha sido medido de acuerdo con un método de prueba estándar y se puede utilizar para comparar una herramienta con otra.

NOTA: El valor (o valores) de emisión de ruido declarado también se puede utilizar en una valoración preliminar de exposición.

ADVERTENCIA: Póngase protectores para oídos.

ADVERTENCIA: La emisión de ruido durante la utilización real de la herramienta eléctrica puede variar del valor (o los valores) de emisión declarado dependiendo de las formas en las que la herramienta sea utilizada, especialmente qué tipo de pieza de trabajo se procesa.

ADVERTENCIA: Asegúrese de identificar medidas de seguridad para proteger al operario que estén basadas en una estimación de la exposición en las condiciones reales de utilización (teniendo en cuenta todas las partes del ciclo operativo como las veces cuando la herramienta está apagada y cuando está funcionando en vacío además del tiempo de gatillo).

Vibración

El valor total de la vibración (suma de vectores triaxiales) determinado de acuerdo con la norma EN62841-4-3:

Modelo LM001G

Emisión de vibración (a_h): 2,5 m/s² o menos
Error (K): 1,5 m/s²

Modelo LM002G

Emisión de vibración (a_h): 2,5 m/s² o menos
Error (K): 1,5 m/s²

NOTA: El valor (o los valores) total de emisión de vibración declarado ha sido medido de acuerdo con un método de prueba estándar y se puede utilizar para comparar una herramienta con otra.

NOTA: El valor (o los valores) total de emisión de vibración declarado también se puede utilizar en una valoración preliminar de exposición.

ADVERTENCIA: La emisión de vibración durante la utilización real de la herramienta eléctrica puede variar del valor (o los valores) de emisión declarado dependiendo de las formas en las que la herramienta sea utilizada, especialmente qué tipo de pieza de trabajo se procesa.

ADVERTENCIA: Asegúrese de identificar medidas de seguridad para proteger al operario que estén basadas en una estimación de la exposición en las condiciones reales de utilización (teniendo en cuenta todas las partes del ciclo operativo como las veces cuando la herramienta está apagada y cuando está funcionando en vacío además del tiempo de gatillo).

Declaraciones de conformidad

Para países europeos solamente

Las declaraciones de conformidad están incluidas como Anexo A de este manual de instrucciones.

ADVERTENCIAS DE SEGURIDAD

Advertencias de seguridad para herramientas eléctricas en general

ADVERTENCIA Lea todas las advertencias de seguridad, instrucciones, ilustraciones y especificaciones provistas con esta herramienta eléctrica. Si no sigue todas las instrucciones indicadas abajo, podrá resultar en una descarga eléctrica, un incendio y/o heridas graves.

Guarde todas las advertencias e instrucciones para futuras referencias.

El término "herramienta eléctrica" en las advertencias se refiere a su herramienta eléctrica de funcionamiento con conexión a la red eléctrica (con cable) o herramienta eléctrica de funcionamiento a batería (sin cable).

Advertencias de seguridad para la cortadora de césped

1. **No utilice la cortadora de césped en malas condiciones meteorológicas, especialmente cuando haya riesgo de relámpagos.** Esto disminuirá el riesgo de sufrir el impacto de un rayo.
2. **Inspeccione a fondo el área por si hay fauna silvestre donde se va a utilizar la cortadora de césped.** Podría herir la fauna silvestre con la cortadora de césped durante la operación.
3. **Inspeccione a fondo el área donde va a utilizar la cortadora de césped y retire todas las piedras, palos, alambres, huesos, y otros objetos extraños.** Los objetos que salen despedidos pueden ocasionar heridas personales.
4. **Antes de utilizar la cortadora de césped, siempre inspeccione visualmente para confirmar que la cuchilla y el conjunto de la cuchilla no están desgastados o dañados.** Las piezas gastadas o dañadas aumentan el riesgo de sufrir heridas.
5. **Compruebe el receptor de hierba con frecuencia por si está desgastado o deteriorado.** Un receptor de hierba desgastado o dañado puede aumentar el riesgo de heridas personales.
6. **Mantenga los protectores en su sitio. Los protectores deben estar en estado de funcionamiento y debidamente montados.** Un protector que esté flojo, dañado, o que no esté funcionando correctamente podrá resultar en heridas personales.
7. **Mantenga todas las entradas de aire de refrigeración libres de desechos.** Las entradas de aire bloqueadas y los desechos pueden resultar en recalentamiento o riesgo de incendio.
8. **Mientras esté utilizando la cortadora de césped, póngase siempre calzado antideslizante y de protección. No utilice la cortadora de césped cuando esté descalzo o lleve puestas sandalias abiertas.** Esto reducirá la posibilidad de sufrir heridas en los pies por el contacto con la cuchilla en movimiento.
9. **Mientras esté utilizando la cortadora de césped, póngase siempre pantalones largos.** La piel expuesta aumentará la posibilidad de sufrir heridas por objetos que salen lanzados.
10. **No utilice la cortadora de césped para cortar hierba mojada. Camine, nunca corra.** Esto reducirá el riesgo de deslizamiento y caída, que pueden resultar en heridas personales.
11. **No utilice la cortadora de césped en cuestras excesivamente empinadas.** Esto reducirá el riesgo de la pérdida de control, deslizamiento y caída, que pueden resultar en heridas personales.
12. **Cuando trabaje en cuestras, asegúrese siempre de que pisa suelo firme, trabaje siempre a través de la cara de las cuestras, nunca hacia arriba o hacia abajo, y extreme las precauciones cuando cambie de dirección.** Esto reducirá el riesgo de la pérdida de control, deslizamiento y caída, que pueden resultar en heridas personales.
13. **Utilice mucha precaución cuando retroceda o tire de la cortadora de césped hacia usted. Sea siempre consciente de su entorno.** Esto reducirá el riesgo de tropezar durante la operación.

14. **No toque las cuchillas y otras partes en movimiento peligrosas mientras todavía están moviéndose.** Esto reducirá el riesgo de sufrir heridas por piezas en movimiento.
15. **Cuando retire material atascado o limpie la cortadora de césped, asegúrese de que todos los interruptores de alimentación están desactivados y la batería ha sido desconectada.** Una puesta en marcha inesperada de la cortadora de césped puede resultar en heridas personales graves.

GUARDE ESTAS INSTRUCCIONES.

⚠ADVERTENCIA: NO deje que la comodidad o familiaridad con el producto (a base de utilizarlo repetidamente) sustituya la estricta observancia de las normas de seguridad para el producto en cuestión.

El MAL USO o el no seguir las normas de seguridad establecidas en este manual de instrucciones podrá ocasionar graves heridas personales.

INSTRUCCIONES DE SEGURIDAD IMPORTANTES

⚠ADVERTENCIA: Lea todas las advertencias de seguridad y todas las instrucciones. Si no sigue las advertencias e instrucciones podrá resultar en una descarga eléctrica, un incendio y/o heridas graves.

Guarde todas las advertencias e instrucciones para futuras referencias.

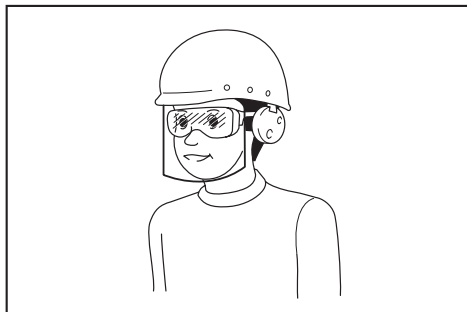
Capacitación

1. **Lea las instrucciones atentamente. Familiarícese con los controles y el uso apropiado del cortacésped.**
2. **No permita nunca que niños o gente no familiarizada con estas instrucciones utilicen el cortacésped. Los reglamentos locales pueden restringir la edad del operario.**
3. **No utilice nunca el cortacésped cuando haya gente, especialmente niños o animales domésticos cerca.**
4. **Tenga en cuenta que el operario o usuario es el responsable de los accidentes o riesgos ocasionados a otras personas o propiedades de las mismas.**
5. **Los niños pequeños deberán ser supervisados para asegurarse de que no juegan con el cortacésped.**
6. **Condición física - No utilice el cortacésped bajo la influencia de drogas, alcohol, o cualquier medicación.**

Preparación

1. **Mientras utiliza el cortacésped póngase siempre calzado robusto y pantalones largos. No utilice el cortacésped cuando esté descalzo o lleve puestas sandalias abiertas. Evite ponerse ropa o joyas que queden holgadas o que tengan cordones colgando o corbatas. Pueden engancharse en las piezas que se mueven.**

2. Antes de utilizar, inspeccione siempre visualmente el cortacésped por si está dañado, o tiene protectores o escudos sin colocar o mal colocados.
3. Asegúrese de que el área está despejada de gente antes de segar. Detenga el cortacésped si entra alguien en el área.
4. Póngase siempre gafas de protección para proteger sus ojos de heridas cuando utilice herramientas eléctricas. Las gafas de protección deben cumplir con las normas ANSI Z87.1 en los Estados Unidos de América, EN 166 en Europa, o AS/NZS 1336 en Australia/Nueva Zelanda. En Australia/Nueva Zelanda, se requiere, también, legalmente ponerse pantalla facial para proteger la cara.



Es una responsabilidad del empresario imponer a los operarios de la herramienta y a otras personas en las inmediaciones del área de trabajo el uso de equipos de protección de seguridad apropiados.

5. Compruebe las cuchillas o los pernos de la cuchilla cuidadosamente por si tienen grietas o daños antes de comenzar la operación. Reemplace las cuchillas o los pernos de la cuchilla agrietados o dañados inmediatamente.
 6. Retire los objetos extraños tales como rocas, alambres, botellas, huesos y palos largos del área de trabajo antes de segar para evitar heridas personales o daños al cortacésped.
 7. Los objetos golpeados por la cuchilla de cortacésped pueden ocasionar graves heridas personales. El césped deberá ser siempre examinado atentamente y despejado de todos los objetos antes de cada siega.
 8. Tenga cuidado con los orificios, surcos, rocas, u otros objetos ocultos. El terreno desnivelado puede ocasionar un accidente por resbalamiento y caída. La hierba alta puede ocultar obstáculos.
 9. **Utilice equipo de protección personal.** Póngase siempre protección para los ojos. El equipo de protección como máscara contra el polvo, zapatos de seguridad antideslizantes, casco rígido y protección para los oídos utilizado en las condiciones apropiadas reducirá el riesgo de sufrir heridas personales.
- Operación**
1. **No trabaje donde no alcance.** Mantenga el equilibrio en todo momento. Asegúrese siempre de que en pendientes apoya bien los pies. Camine, nunca corra.
 2. Detenga el cortacésped y apague la máquina, y asegúrese de que todas las piezas que se mueven se hayan parado completamente:
 - siempre que vaya a dejar el cortacésped,
 - antes de retirar obstrucciones o desatascar la tolva,
 - antes de comprobar, limpiar o trabajar en el cortacésped,
 - después de haber golpeado un objeto extraño. Inspeccione el cortacésped por si está dañado y haga las reparaciones antes de volver a poner en marcha y utilizar el cortacésped,
 - siempre que el cortacésped comience a vibrar de forma anormal.
 3. No utilice nunca el cortacésped con protectores o escudos defectuosos, o sin los dispositivos de seguridad, por ejemplo, deflectores y/o la cesta para hierba, en su sitio.
 4. Evite utilizar el cortacésped en malas condiciones meteorológicas especialmente cuando haya riesgo de relámpagos.
 5. Póngase protección para los ojos y zapatos robustos en todo momento mientras maneja el cortacésped.
 6. Utilice el cortacésped solamente en luz diurna o con buena luz artificial.
 7. Encienda el cortacésped con cuidado de acuerdo con las instrucciones y con los pies bien alejados de la(s) cuchilla(s).
 8. Tenga cuidado de no herirse los pies y las manos con las cuchillas de cortacésped.
 9. Asegúrese siempre de que las aberturas de ventilación están libres de residuos.
 10. Siga a través de la cara de la pendiente, nunca de arriba a abajo. Extreme las precauciones cuando cambie de dirección en pendientes. No siga en cuestas empinadas excesivamente.
 11. Utilice mucha precaución cuando retroceda o tire del cortacésped hacia usted.
 12. Detenga la(s) cuchilla(s) si el cortacésped tiene que ser inclinado para transportarlo cuando atraviere superficies que no sean de hierba, y cuando transporte el cortacésped hasta o desde el área donde lo utiliza.
 13. No incline el cortacésped cuando vaya a encender el motor, excepto si el cortacésped tiene que ser inclinado para arrancarlo. En este caso, no lo incline más de lo absolutamente necesario y levante solamente la parte que está alejada del operario. Asegúrese siempre de que ambas manos están en la posición de operación antes de volver a poner el cortacésped en el suelo.
 14. No ponga las manos ni los pies cerca o debajo de las piezas giratorias. Manténgase alejado de la abertura de descarga en todo momento.
 15. No transporte el cortacésped mientras el cortacésped está encendido.
 16. Evite utilizar el cortacésped en hierba mojada.
 17. Sujete siempre firmemente el asidero.
 18. No agarre las cuchillas de corte o bordes de corte expuestos cuando recoja o sujete el cortacésped.

19. Mantenga las manos y los pies alejados de las cuchillas giratorias. Precaución - Las cuchillas siguen girando por inercia después de apagar el cortacésped.
 20. Detenga la operación inmediatamente si nota algo inusual. Apague el cortacésped. Después inspeccione el cortacésped.
 21. No intente nunca realizar ajustes de altura de corte mientras el cortacésped está en marcha si el cortacésped tiene función de ajuste de altura de corte.
 22. Suelte la palanca interruptor y espere a que la cuchilla deje de girar antes de cruzar caminos de acceso, paseos, carreteras, o cualquier área cubierta con gravilla. También apague la máquina si deja el cortacésped, si se adelanta para recoger o retirar algo del camino, o por cualquier otra razón que pueda distraerle de lo que está haciendo.
 23. Si el cortacésped golpea un objeto extraño, siga estos pasos:
 - Detenga el cortacésped, suelte la palanca interruptor y espere hasta que la cuchilla se haya detenido completamente.
 - Retire el cartucho de batería.
 - Inspeccione detenidamente el cortacésped por si tiene algún daño.
 - Reemplace la cuchilla si tiene cualquier tipo de daño. Repare cualquier daño antes de volver a poner en marcha y continuar utilizando el cortacésped.
 24. No ponga en marcha el cortacésped cuando se encuentre enfrente de la abertura de descarga.
 25. Si el cortacésped comienza a vibrar anormalmente (compruebe inmediatamente)
 - inspeccione por si hay daños,
 - sustituya o repare cualquier pieza dañada,
 - compruebe si hay alguna pieza floja y apriétela.
 26. No dirija el material expulsado hacia alguien. Evite expulsar material contra una pared u obstrucción. El material puede rebotar hacia el operario. Detenga la cuchilla cuando cruce superficies de grava.
 27. **No tire del cortacésped hacia atrás a menos que sea absolutamente necesario.** Cuando se vea obligado a retroceder el cortacésped desde una valla u otra obstrucción similar, mire hacia abajo y hacia atrás antes y mientras se mueve hacia atrás.
 28. **Apague el motor y espere hasta que la cuchilla se haya parado completamente antes de retirar el receptor de hierba.** Tenga en cuenta que las cuchillas continúan moviéndose después de apagar.
 29. **Cuando utilice la máquina en suelo enlodado, pendiente mojada, o lugar resbaladizo, preste atención a donde pisa.**
 30. **No sumerja la máquina en un charco.**
 31. **Cuando opere la máquina, preste atención a las tuberías y el cableado.**
2. Inspeccione y haga el mantenimiento al cortacésped regularmente.
 3. Cuando no se esté utilizando, guarde el cortacésped fuera del alcance de los niños.
 4. Mantenga todas las tuercas, pernos y tornillos apretados para asegurarse de que el equipo está en condiciones de trabajo seguras.
 5. Compruebe la cesta para hierba con frecuencia por si está desgastada o deteriorada. Al almacenar, asegúrese siempre de que la cesta para hierba está vacía. Reemplace la cesta para hierba si está gastada con una de recambio nueva de fábrica por seguridad.
 6. Utilice solamente las cuchillas genuinas del fabricante especificadas en este manual.
 7. Tenga cuidado durante el ajuste del cortacésped para evitar pillarse los dedos entre las cuchillas que se mueven y las piezas fijas del cortacésped.
 8. Compruebe el perno de montaje de la cuchilla a intervalos frecuentes para ver que está bien apretado.
 9. Deje siempre que el cortacésped se enfríe antes de almacenarlo.
 10. Cuando haga el mantenimiento a las cuchillas, sea consciente de que, aunque la fuente de alimentación esté apagada, las cuchillas todavía se pueden mover.
 11. No retire ni manipule nunca los dispositivos de seguridad. Compruebe su correcto funcionamiento regularmente. No haga nunca nada que interfiera con la función prevista del dispositivo de seguridad ni reduzca la protección proporcionada por el dispositivo de seguridad.
 12. No deje la máquina sin atender en exteriores en la lluvia.
 13. Cuando almacene la máquina, evite la luz solar directa y la lluvia, y almacénela en un lugar donde no se caliente o humedezca.

Utilización y cuidado de la herramienta a batería

1. **Cargue la batería solamente con el cargador especificado por el fabricante.** Un cargador que es apropiado para un tipo de batería puede crear un riesgo de incendio cuando se utiliza con otra batería.
 2. **Utilice las herramientas eléctricas solamente con las baterías designadas específicamente para ellas.** La utilización de cualquier otra batería puede crear un riesgo de heridas o incendio.
 3. **Cuando la batería no esté siendo utilizada, guárdela alejada de otros objetos metálicos, como sujetapapeles, monedas, llaves, clavos, tornillos u otros objetos metálicos pequeños, que puedan hacer conexión entre un terminal y el otro.** Si se cortocircuitan entre sí los terminales de la batería podrán producirse quemaduras o un incendio.
 4. **En condiciones abusivas, es posible que salga expulsado líquido de la batería; evite el contacto con él.** Si se produce un contacto accidental, enjuague con agua. Si el líquido entra en los ojos, además de enjuagarlos, solicite asistencia médica. El líquido expulsado de la batería puede ocasionar irritación y quemaduras.
- Mantenimiento y almacenamiento**
1. **Sustituya las piezas gastadas o dañadas por seguridad. Utilice solamente piezas de repuesto y accesorios genuinos.**

5. **No utilice una batería o herramienta que esté dañada o modificada.** Las baterías dañadas o modificadas pueden comportarse de forma impredecible resultando en un incendio, explosión o riesgo de heridas.
6. **No exponga una batería o herramienta al fuego o a temperatura excesiva.** La exposición al fuego o a una temperatura superior a los 130 °C puede ocasionar una explosión.
7. **Siga todas las instrucciones de carga y no cargue la batería o la herramienta fuera del rango de temperatura especificado en las instrucciones.** Cargar incorrectamente o a temperaturas fuera del rango especificado puede dañar la batería y aumentar el riesgo de incendio.

Seguridad eléctrica y de la batería

1. **No deseche la batería(s) arrojándola al fuego.** La célula puede explotar. Compruebe los códigos locales por si hay instrucciones para el posible desecho especial.
2. **No abra o mutile la batería(s).** El electrolito liberado es corrosivo y puede ocasionar daño a los ojos o la piel. Puede ser tóxico si se traga.
3. **No cargue la batería bajo la lluvia, o en lugares mojados.**
4. **No cargue la batería en exteriores.**
5. **No maneje el cargador, incluída la clavija del cargador, y los terminales del cargador con las manos mojadas.**
6. **No reemplace la batería en la lluvia.**
7. **No moje el terminal de la batería con líquido tal como agua, ni sumerja la batería. No deje la batería en la lluvia, ni cargue, utilice, o almacene la batería en un lugar húmedo o mojado.** Si el terminal se moja o si entra líquido al interior de la batería, la batería podrá cortocircuitarse y existe el riesgo de recalentamiento, incendio, o explosión.
8. **Después de retirar la batería de la máquina o el cargador, asegúrese de colocar la tapa de la batería en la batería y guárdela en un lugar seco.**
9. **No reemplace la batería con las manos mojadas.**
10. **Evite los entornos peligrosos. No utilice la máquina en lugares húmedos o mojados ni la exponga a la lluvia.** La entrada de agua en la máquina aumentará el riesgo de que se produzca una descarga eléctrica.
11. **Si el cartucho de batería se moja, retire el agua del interior y después límpielo con un paño seco. Seque el cartucho de batería completamente en un lugar seco antes de utilizarlo.**

Servicio

1. **Haga que su herramienta eléctrica sea servida por una persona de reparación cualificada utilizando solamente piezas de repuesto idénticas.** De esta forma la herramienta eléctrica seguirá siendo segura.
2. **No haga nunca el mantenimiento a baterías dañadas.** El mantenimiento de las baterías debe ser realizado solamente por el fabricante o proveedores de servicio autorizados.

GUARDE ESTAS INSTRUCCIONES.

⚠ADVERTENCIA: NO deje que la comodidad o familiaridad con el producto (a base de utilizarlo repetidamente) sustituya la estricta observancia de las normas de seguridad para el producto en cuestión.

El MAL USO o el no seguir las normas de seguridad establecidas en este manual de instrucciones podrá ocasionar graves heridas personales.

Instrucciones de seguridad importantes para el cartucho de batería

1. **Antes de utilizar el cartucho de batería, lea todas las instrucciones e indicaciones de precaución sobre (1) el cargador de baterías, (2) la batería, y (3) el producto con el que se utiliza la batería.**
 2. **No desensamble ni manipule el cartucho de batería.** Podrá resultar en un incendio, calor excesivo, o una explosión.
 3. **Si el tiempo de uso se acorta demasiado, cese la operación inmediatamente. Podría resultar en un riesgo de recalentamiento, posibles quemaduras e incluso una explosión.**
 4. **Si entra electrólito en sus ojos, aclárelos con agua limpia y acuda a un médico inmediatamente. Existe el riesgo de poder perder la vista.**
 5. **No cortocircuite el cartucho de batería:**
 - (1) **No toque los terminales con ningún material conductor.**
 - (2) **Evite guardar el cartucho de batería en un cajón junto con otros objetos metálicos, como clavos, monedas, etc.**
 - (3) **No exponga el cartucho de batería al agua ni a la lluvia.**
- Un cortocircuito en la batería puede producir una gran circulación de corriente, un recalentamiento, posibles quemaduras e incluso una rotura de la misma.**
6. **No guarde ni utilice la herramienta y el cartucho de batería en lugares donde la temperatura pueda alcanzar o exceder los 50 °C.**
 7. **Nunca incinere el cartucho de batería incluso en el caso de que esté dañado seriamente o ya no sirva en absoluto. El cartucho de batería puede explotar si se tira al fuego.**
 8. **No clave, corte, aplaste, lance, deje caer el cartucho de batería, ni golpee contra un objeto duro el cartucho de batería.** Tal conducta podrá resultar en un incendio, calor excesivo, o una explosión.
 9. **No utilice una batería dañada.**
 10. **Las baterías de litio-ion contenidas están sujetas a los requisitos de la Legislación para Materiales Peligrosos.**

Para transportes comerciales, p.ej., por terceras personas y agentes de transportes, se deberán observar requisitos especiales para el empaquetado y etiquetado. Para la preparación del artículo que se va a enviar, se requiere consultar con un experto en materiales peligrosos. Por favor, observe también la posibilidad de reglamentos nacionales más detallados. Cubra con cinta aislante o enmascare los contactos expuestos y empaquete la batería de tal manera que no se pueda mover alrededor dentro del embalaje.

- Para desechar el cartucho de batería, retírelo de la herramienta y deséchelo en un lugar seguro. Siga los reglamentos locales referentes al desecho de la batería.
- Utilice las baterías solamente con los productos especificados por Makita. La instalación de las baterías en productos no compatibles puede resultar en un incendio, calor excesivo, explosión, o fuga de electrolito.
- Si la herramienta no va a ser utilizada durante un periodo de tiempo largo, la batería deberá ser retirada de la herramienta.
- Durante y después de la utilización, el cartucho de batería podrá acumular calor, lo cual puede ocasionar quemaduras o quemaduras de baja temperatura. Preste atención al manejo de cartuchos de batería calientes.
- No toque el terminal de la herramienta inmediatamente después de utilizar, dado que puede calentarse lo suficiente como para ocasionar quemaduras.
- No permita que virutas, polvo, o tierra se adhieran dentro de los terminales, orificios, y ranuras del cartucho de batería. Esto podría ocasionar calentamiento, que coja fuego, reviente y un mal funcionamiento de la herramienta o el cartucho de batería, resultando en quemaduras o heridas personales.
- A menos que la herramienta pueda utilizarse cerca de cables eléctricos de alta tensión, no utilice el cartucho de batería cerca de cables eléctricos de alta tensión. Podrá resultar en un mal funcionamiento o rotura de la herramienta o el cartucho de batería.
- Mantenga la batería alejada de los niños.

GUARDE ESTAS INSTRUCCIONES.

⚠PRECAUCIÓN: Utilice solamente baterías genuinas de Makita. La utilización de baterías no genuinas de Makita, o baterías que han sido alteradas, puede resultar en una explosión de la batería ocasionando incendios, heridas personales y daños. También anulará la garantía de Makita para la herramienta y el cargador de Makita.

Consejos para alargar al máximo la vida de servicio de la batería

- Cargue el cartucho de batería antes de que se descargue completamente. Detenga siempre la operación y cargue el cartucho de batería cuando note menos potencia en la herramienta.
- No cargue nunca un cartucho de batería que esté completamente cargado. La sobrecarga acortará la vida de servicio de la batería.
- Cargue el cartucho de batería a temperatura ambiente de 10 °C - 40 °C. Si un cartucho de batería está caliente, déjelo enfriar antes de cargarlo.
- Cuando no esté utilizando el cartucho de batería, retírelo de la herramienta o del cargador.
- Cargue el cartucho de batería si no lo utiliza durante un periodo de tiempo prolongado (más de seis meses).

MONTAJE

⚠ADVERTENCIA: Asegúrese siempre de que todos los cartuchos de batería han sido retirados antes de realizar cualquier trabajo en la máquina. Si no retira todos los cartuchos de batería, podrá resultar en graves heridas personales a causa de un arranque accidental.

⚠ADVERTENCIA: No ponga nunca en marcha el cortacésped a menos que esté completamente ensamblado. La utilización de la máquina en un estado parcialmente ensamblado podrá resultar en graves heridas personales a causa de un arranque accidental.

Instalación del asidero

AVISO: Cuando instale los asideros, tenga cuidado de no pillar el cable entre los asideros. Si el cable se daña, es posible que el interruptor del cortacésped no responda.

- Alinee el orificio del asidero inferior con el orificio del asidero superior, después inserte el perno desde fuera, y después apriete la tuerca manual desde dentro. Realice el mismo procedimiento en el otro lado.

► **Fig.1:** 1. Perno 2. Tuerca manual 3. Asidero inferior 4. Asidero superior

- Gire el pomo 90° mientras tira del pomo del asidero inferior para liberar el pasador de bloqueo. Realice el mismo procedimiento en el otro lado. Levante el asidero, y después gire los pomos de ambos costados 90°.

Asegúrese de que los pomos están sujetos firmemente.

► **Fig.2:** 1. Pomo

NOTA: Si sostiene el asidero le resultará más fácil liberar el pasador de bloqueo cuando tire del pomo.

NOTA: Cuando gire el pomo, tenga cuidado de que el cable no se enganche en el pomo.

► **Fig.3:** 1. Pomo

Desmontaje de la tapadera de mullidor

- Abra la cubierta posterior.

► **Fig.4:** 1. Cubierta posterior

- Levante la tapadera de mullidor ligeramente, y después retírela.

► **Fig.5:** 1. Tapadera de mullidor

Montaje de la cesta para hierba

- Agarre el fragmento superior de la cesta para hierba.

► **Fig.6:** 1. Fragmento superior

- Inserte el bastidor en la cesta para hierba a tope mientras sujeta el asidero del bastidor.

► **Fig.7:** 1. Asidero

AVISO: No inserte el asidero en la cesta para hierba. Asegúrese de insertar el bastidor a lo largo de la costura de la cesta para hierba.

3. Asegúrese de que no hay pandeo en las esquinas de la cesta para hierba.

► Fig.8

4. Abra el fragmento superior, y colóquelo en el bastidor.

► Fig.9

5. Coloque todos los fragmentos como se muestra en la figura. Asegúrese de que todos los fragmentos están colocados firmemente en el bastidor.

► Fig.10: 1. Fragmento

Instalación o desmontaje de la cesta para hierba

Para instalar la cesta para hierba, siga los pasos de abajo.

1. Abra la cubierta posterior.

► Fig.11: 1. Cubierta posterior

2. Sujete el asidero de la cesta para hierba, y después enganche la cesta para hierba en el vástago del cuerpo del cortacésped como se muestra en la figura.

► Fig.12: 1. Cesta para hierba 2. Asidero 3. Vástago

Para retirar la cesta para hierba, abra la cubierta posterior, y después retire la cesta para hierba sujetando el asidero.

Colocación de la tapadera de mullidor

1. Abra la cubierta posterior, y después retire la cesta para hierba.

► Fig.13: 1. Cubierta posterior 2. Cesta para hierba

2. Coloque la tapadera de mullidor empujándola a tope de manera que los salientes de la tapadera de mullidor encajen en los orificios de la máquina.

► Fig.14: 1. Tapadera de mullidor 2. Saliente

Instalación o desmontaje de la tolva de descarga

Para instalar la tolva de descarga, siga los pasos de abajo.

1. Abra la cubierta posterior, y después retire la cesta para hierba y la tapadera de mullidor.

2. Enganche los orificios de la tolva de descarga en los salientes del cuerpo del cortacésped como se muestra en la figura.

► Fig.15: 1. Tolva de descarga 2. Saliente

Para retirar la tolva de descarga, abra la cubierta posterior, y después retire la tolva de descarga.

DESCRIPCIÓN DEL FUNCIONAMIENTO

Instalación o extracción del cartucho de batería

⚠PRECAUCIÓN: Apague siempre la máquina antes de instalar o retirar el cartucho de batería.

⚠PRECAUCIÓN: Sujete la máquina y el cartucho de batería firmemente cuando instale o extraiga el cartucho de batería. Si no sujeta la máquina y el cartucho de batería firmemente podrá ocasionar que se deslicen de sus manos y resultar en daños a la máquina y el cartucho de batería y heridas personales.

⚠PRECAUCIÓN: Asegúrese de que ha bloqueado la tapa de la batería antes de la utilización. De lo contrario, el barro, la suciedad o el agua podrán ocasionar daños a la herramienta o al cartucho de batería.

⚠PRECAUCIÓN: Instale siempre el cartucho de batería completamente hasta que no pueda verse el indicador rojo. En caso contrario, podrá caerse accidentalmente de la máquina y ocasionarle heridas a usted o a alguien alrededor de usted.

⚠PRECAUCIÓN: No instale el cartucho de batería empleando fuerza. Si el cartucho no se desliza al interior fácilmente, será porque no está siendo insertado correctamente.

⚠PRECAUCIÓN: Sujete la tapa de la batería firmemente cuando instale o retire el cartucho de batería.

Para instalar el cartucho de batería;

1. Alce la palanca de bloqueo, y después abra la tapa de la batería.

► Fig.16: 1. Tapa de la batería 2. Palanca de bloqueo

2. Alinee la lengüeta del cartucho de batería con la ranura de la máquina y después deslice el cartucho hasta que se bloquee en su sitio con un pequeño chasquido.

► Fig.17: 1. Cartucho de batería

3. Cierre la tapa de la batería y presiónela hasta que se quede trincada con la palanca de bloqueo.

Para retirar el cartucho de batería;

1. Alce la palanca de bloqueo y abra la tapa de la batería.

2. Saque el cartucho de batería de la máquina mientras desliza el botón de la parte frontal del cartucho.

3. Cierre la tapa de la batería.

Sistema de protección de la máquina/batería

La máquina está equipada con un sistema de protección de la máquina/batería. Este sistema corta automáticamente la alimentación al motor para alargar la vida útil de la máquina y la batería. La máquina se detendrá automáticamente durante la operación si la máquina o la batería es puesta en una de las condiciones siguientes:

Protección contra sobrecarga

Cuando la batería sea utilizada de una manera que dé lugar a que tenga que absorber una corriente anormalmente alta, la máquina se detendrá automáticamente y la lámpara de alimentación principal parpadeará en verde. En esta situación, apague la máquina y detenga la tarea que ocasiona la sobrecarga de la máquina. Después encienda la máquina para volver a empezar.

Protección contra el recalentamiento

Cuando la máquina se recalienta, la máquina se detiene automáticamente y la lámpara de alimentación principal se ilumina en rojo. En este caso, deje que la máquina y las baterías se enfríen antes de encender la máquina otra vez.

NOTA: Cuando la batería se recalienta, la lámpara de alimentación principal parpadea en rojo.

Protección contra descarga excesiva

Cuando la capacidad de batería no sea suficiente, la máquina se detendrá automáticamente y la lámpara de alimentación principal parpadeará en rojo. En este caso, retire la batería de la máquina y cargue los cartuchos de batería o cambie los cartuchos de batería con unos completamente cargados.

Protecciones contra otras causas

También hay un sistema de protección diseñado para otras causas que pueden dañar la máquina y permite a la máquina detenerse automáticamente. Realice todos los pasos siguientes para despejar las causas, cuando la máquina haya sido llevada a una pausa temporal o a una parada en la operación.

1. Apague la máquina, y después enciéndala otra vez para volver a empezar.
2. Cargue la(s) batería(s) o reemplácela(s) con una batería(s) recargada(s).
3. Deje que la máquina y la(s) batería(s) se enfríen.

Si no se nota una mejora al restablecer el sistema de protección, póngase en contacto con el centro de servicio Makita local.

AVISO: Si la máquina se detiene debido a una causa no descrita arriba, consulte la sección para solución de problemas.

Modo de indicar la capacidad de batería restante

► Fig.18: 1. Indicador de batería

Cuando la capacidad de batería restante se vuelve baja, el indicador de batería parpadea en el lado de la batería aplicable. Si se sigue utilizando, la máquina se detendrá y el indicador de batería se iluminará. En esta situación, cargue el cartucho de batería.

NOTA: Si hay instalados dos cartuchos de batería, la batería instalada en el lado izquierdo se usa primero.

NOTA: Si hay instalados dos cartuchos de batería, la máquina cambiará automáticamente a la otra batería cuando la batería que se esté usando se vacíe.

Modo de indicar la capacidad de batería restante

Presione el botón de comprobación en el cartucho de batería para indicar la capacidad de batería restante. Las lámparas indicadoras se iluminan durante unos pocos segundos.

► Fig.19: 1. Lámparas indicadoras 2. Botón de comprobación

Lámparas indicadoras			Capacidad restante
Iluminada	Apagada	Parpadeando	
			75% a 100%
			50% a 75%
			25% a 50%
			0% a 25%
			Cargue la batería.
			Puede que la batería no esté funcionando bien.

NOTA: Dependiendo de las condiciones de utilización y de la temperatura ambiente, la indicación podrá variar ligeramente de la capacidad real.

NOTA: La primera lámpara indicadora (extremo izquierdo) parpadeará cuando el sistema de protección de la batería esté funcionando.

Panel de control

En el panel de control están el interruptor de alimentación principal y el botón de cambio de modo.

► Fig.20: 1. Lámpara del modo suave sin carga
2. Lámpara de modo reducción de ruido
3. Botón de cambio de modo 4. Lámpara de alimentación principal 5. Interruptor de alimentación principal

Interruptor de alimentación principal

⚠ ADVERTENCIA: Desactive siempre el interruptor de alimentación principal cuando la herramienta no esté siendo utilizada.

Para encender la máquina, presione el interruptor de alimentación principal. La lámpara de alimentación principal se ilumina en verde. Para apagar la máquina, presione el interruptor de alimentación principal otra vez.

NOTA: Si la lámpara de alimentación principal se ilumina en rojo o parpadea en rojo o verde, consulte las instrucciones para el sistema de protección de la máquina/batería.

NOTA: Esta máquina emplea la función de desconexión automática de la alimentación. Para evitar una puesta en marcha no intencionada, el interruptor de alimentación principal se inhabilita automáticamente cuando no se aprietan la palanca interruptor y la palanca de impulsión (si se ha equipado) durante un cierto periodo de tiempo después de activar el interruptor de alimentación principal.

Botón de cambio de modo

Puede cambiar el modo de operación presionando el botón de cambio de modo. Cuando se enciende la máquina, esta se pone en marcha en el modo normal. Consulte la tabla de abajo para cada modo.

Modo	Lámpara	Descripción
Modo normal	La lámpara del modo suave sin carga y la lámpara del modo de reducción de ruido están apagadas.	La máquina funciona en el modo normal.
Modo suave sin carga	La lámpara del modo suave sin carga se ilumina en verde.	Puede minimizar el golpe del arranque y poner la máquina en marcha suavemente.
Modo reducción de ruido	La lámpara del modo de reducción de ruido se ilumina en verde.	Puede reducir el ruido cuando siega.

Accionamiento del interruptor

⚠ADVERTENCIA: Antes de instalar el cartucho de batería, compruebe siempre para cerciorarse de que la palanca interruptor se acciona debidamente y que vuelve a la posición original cuando la suelta. La operación de la máquina con un interruptor que no se acciona debidamente puede dar lugar a la pérdida de control y heridas personales graves.

NOTA: El cortacésped no se pone en marcha sin apretar el botón interruptor aunque se apriete la palanca interruptor.

NOTA: Es posible que el cortacésped no se ponga en marcha debido a la sobrecarga cuando usted intente segar hierba larga o densa de una vez. En este caso aumente la altura de siega.

Esta máquina está equipada con un botón interruptor. Si nota algo inusual con el botón interruptor, detenga la operación inmediatamente y haga que se lo comprueben en el centro de servicio autorizado Makita más cercano.

1. Instale los cartuchos de batería, y después cierre la tapa de la batería.
2. Presione el interruptor de alimentación principal.

NOTA: La lámpara de alimentación principal parpadeará en verde si presiona el interruptor de alimentación principal mientras aprieta la palanca interruptor. Suelte la palanca interruptor antes de presionar el interruptor de alimentación principal.

3. Tire de la palanca interruptor hacia usted mientras mantiene presionado el botón interruptor. Suelte el botón interruptor cuando el motor se ponga en marcha.

► **Fig.21:** 1. Botón interruptor 2. Palanca interruptor

4. Mientras sujeta la palanca interruptor, empuje la palanca de impulsión hacia delante y sujétela para impulsar las ruedas traseras.

► **Fig.22:** 1. Palanca de impulsión

NOTA: Puede impulsar las ruedas traseras empujando la palanca de impulsión hacia delante y sujetándola sin apretar la palanca interruptor.

5. Libere la palanca de impulsión y la palanca interruptor para detener la máquina.

Ajuste de la altura de siega

⚠ADVERTENCIA: No ponga nunca su mano o pierna debajo del cuerpo del cortacésped cuando ajuste la altura de siega.

⚠ADVERTENCIA: Asegúrese siempre de que la palanca encaja en la ranura debidamente antes de la operación.

La altura de siega se puede ajustar en el rango de entre 20 mm y 100 mm.

Apague la máquina, y después tire de la palanca de ajuste de la altura de siega hacia afuera del cuerpo del cortacésped y muévela hasta la altura de siega que desee.

► **Fig.23:** 1. Palanca de ajuste de la altura de siega

La tabla de abajo muestra la relación entre el número en el cuerpo del cortacésped y la altura de siega aproximada.

Número	Altura de siega
1	20 mm
2	26 mm
3	32 mm
4	39 mm
5	47 mm
6	55 mm
7	63 mm
8	74 mm
9	86 mm
10	100 mm

Sujete el asidero inferior con una mano, y después mueva la palanca de ajuste de la altura de siega con la otra mano.

► **Fig.24:** 1. Palanca de ajuste de la altura de siega 2. Asidero inferior

NOTA: Las cifras de altura de siega deben ser utilizadas solamente como guía. Dependiendo de las condiciones del césped o el suelo, la altura real del césped podrá ser ligeramente diferente de la altura ajustada.

NOTA: Realice una prueba segando hierba en un lugar menos notorio para obtener la altura deseada.

Indicador del nivel de la hierba

El indicador del nivel de la hierba muestra el volumen de la hierba segada. Cuando la cesta para hierba no está llena, el indicador flota mientras las cuchillas están en marcha.

► **Fig.25:** 1. Indicador del nivel de la hierba

Cuando la cesta para hierba está casi llena, el indicador no flota mientras las cuchillas están en marcha. En este caso, detenga la operación inmediatamente y vacíe la cesta.

► **Fig.26:** 1. Indicador del nivel de la hierba

NOTA: Este indicador es una guía aproximada. Dependiendo de las condiciones del interior de la cesta, este indicador puede no funcionar debidamente.

Ajuste de la altura del asidero

La altura del asidero se puede ajustar en dos niveles.

1. Sujete el asidero inferior, y después gire el pomo 90° mientras tira del pomo del asidero inferior para liberar el pasador de bloqueo. Realice el mismo procedimiento en el otro lado.

► **Fig.27:** 1. Asidero inferior 2. Pomo

NOTA: Si sostiene el asidero le resultará más fácil liberar el pasador de bloqueo cuando tire del pomo.

2. Ajuste la altura del asidero, y después gire los pomos de ambos costados 90°. Asegúrese de que los pomos están sujetos firmemente.

► **Fig.28:** 1. Pomo

Ajuste de la velocidad de desplazamiento

► **Fig.29:** 1. Palanca de velocidad

La velocidad de desplazamiento se puede ajustar con la palanca de velocidad. Para reducir la velocidad, tire de la palanca hacia usted, y para aumentar la velocidad, gire la palanca hacia delante.

Utilización de la tapadera de mullidor

La tapadera de mullidor le permite devolver la hierba cortada al suelo sin recogerla en la cesta para hierba. Cuando utilice la máquina con la tapadera de mullidor, asegúrese de retirar la cesta para hierba o la tolva de descarga.

AVISO: Cuando utilice la máquina con la tapadera de mullidor, asegúrese de que la longitud total de la hierba después de cortar es de 30 mm o más, y que la longitud cortada es de 15 mm o menos.

► **Fig.30:** (1) 30 mm o más (2) 15 mm o menos

Utilización de la tolva de descarga

La tolva de descarga le permite descargar la hierba cortada al suelo desde el lado derecho de la máquina sin recogerla en la cesta para hierba. Cuando utilice la máquina con la tolva de descarga, asegúrese de retirar la cesta para hierba y la tapadera de mullidor.

Utilización de la descarga trasera

La utilización de la descarga trasera le permite descargar la hierba cortada al suelo desde el lado trasero de la máquina sin recogerla en la cesta para hierba. Cuando utilice la máquina usando la descarga trasera, asegúrese de retirar la tapadera de mullidor, y la cesta para hierba o la tolva de descarga, y cerrar la cubierta posterior.

Función electrónica

La máquina está equipada con funciones electrónicas para facilitar la operación.

- Inicio suave en puesta en marcha
La función de inicio suave minimiza el golpe del arranque, y hace que la máquina se ponga en marcha suavemente.
- Freno eléctrico
Esta máquina está equipada con un freno eléctrico. Si la máquina consistentemente deja de parar rápidamente las cuchillas del cortacésped después de liberar la palanca interruptor, haga que la máquina sea servida en un centro de servicio autorizado Makita.

OPERACIÓN

Siega

⚠ADVERTENCIA: Antes de segar, retire los palos y piedras del área de la siega. Además, retire cualquier maleza del área de la siega de antemano.

⚠ADVERTENCIA: Póngase siempre gafas de seguridad o gafas de protección con escudos laterales cuando utilice el cortacésped.

⚠PRECAUCIÓN: Si la hierba cortada o un objeto extraño se bloquea dentro del cuerpo del cortacésped, asegúrese de retirar los cartuchos de batería y ponerse guantes antes de retirar la hierba u objeto extraño.

AVISO: Utilice esta máquina solamente para segar césped. No siegue maleza con esta máquina.

► **Fig.31**

Sujete firmemente el asidero con ambas manos cuando siegue. La pauta de la velocidad de segado es de aproximadamente 7 a 14 metros por 10 segundos.

► **Fig.32**

NOTA: Cuando corte césped largo o césped denso, si después de terminar de segar, nota que la altura del césped es irregular o que el acabado final no es óptimo, o si nota que durante la siega la velocidad del motor disminuye, reduzca la velocidad de siega a una más baja que la recomendada en este manual, o aumenta la altura de siega.

Las líneas del centro de las ruedas delanteras sirven de guías para la anchura de segado. Utilizando las líneas del centro como guías, siegue en franjas. Solape la mitad o un tercio de la franja anterior para segar el césped uniformemente.

► **Fig.33:** 1. Anchura de segado 2. Área de solapamiento 3. Línea del centro

Cambie la dirección del segado cada vez para evitar que el patrón de crecimiento de la hierba se forme en una dirección solamente.

► **Fig.34**

Compruebe periódicamente la cesta para hierba para ver cuánta hierba segada hay. Vacíe la cesta para hierba antes de que se llene. Antes de cada comprobación periódica, asegúrese de detener la máquina y apagarla.

AVISO: La utilización del cortacésped con la cesta para hierba llena impide el giro uniforme de la cuchilla y añade una carga extra al motor, que puede ocasionar una avería.

Siega de césped largo

No intente cortar césped largo todo de una vez. En su lugar, siegue el césped en varios pasos. Deje un día o dos entre las siegas hasta que el césped esté uniformemente corto.

► **Fig.35**

NOTA: Segar el césped largo a una altura corta todo de una vez, podrá ocasionar que el césped se muera. El césped cortado también podrá bloquear el interior del cuerpo del cortacésped.

NOTA: Si después de terminar de segar, nota que la altura del césped es irregular o que el acabado final no es óptimo, o si nota que durante la siega la velocidad del motor disminuye, reduzca la velocidad de siega, o aumenta la altura de siega.

Vaciado de la cesta para hierba

ADVERTENCIA: Para reducir el riesgo de un accidente, compruebe regularmente la cesta para hierba por si tiene algún daño o resistencia debilitada. Reemplace la cesta para hierba si es necesario.

1. Libere la palanca interruptor y la palanca de impulsión.
2. Apague la máquina.
3. Abra la cubierta posterior y extraiga la cesta para hierba sujetando el mango.

► **Fig.36:** 1. Cubierta posterior 2. Asidero 3. Cesta para hierba

4. Vacíe la cesta para hierba.

MANTENIMIENTO

ADVERTENCIA: Asegúrese siempre de que todos los cartuchos de batería han sido retirados de la máquina antes de almacenar o transportar la máquina o intentar realizar la inspección o el mantenimiento.

ADVERTENCIA: Póngase guantes cuando realice la inspección o el mantenimiento.

ADVERTENCIA: Póngase siempre gafas de seguridad o gafas de protección con escudos laterales cuando realice la inspección o el mantenimiento.

AVISO: No utilice nunca gasolina, bencina, disolvente, alcohol o similares. Podría producir descoloración, deformación o grietas.

Para mantener la SEGURIDAD y FIABILIDAD del producto, las reparaciones, y cualquier otra tarea de mantenimiento o ajuste deberán ser realizadas en centros de servicio o de fábrica autorizados por Makita, empleando siempre repuestos Makita.

Mantenimiento

1. Retire todos los cartuchos de batería, y después cierre la tapa de la batería.

2. Ponga el cortacésped sobre su costado. Limpie los fragmentos de hierba acumulados en la parte inferior del bastidor del cortacésped.

3. Vierta agua hacia la parte inferior de la máquina en la que está colocada la cuchilla.

AVISO: No lave la máquina con agua a mucha presión.

4. Compruebe todas las tuercas, pernos, tornillos, etc., para ver que están bien apretados.

5. Inspeccione las piezas que se mueven para ver si están dañadas, rotas, y gastadas. Las partes dañadas o perdidas deberán ser reparadas o reemplazadas.

6. Almacene el cortacésped en un lugar seguro fuera del alcance de los niños.

AVISO: No vierta agua en el área mostrada en la figura. Si vierte agua en la unidad del motor podrá ocasionar un mal funcionamiento de la máquina.

► **Fig.37:** 1. Área donde no se debe verter agua

AVISO: No vierta agua sobre la máquina mientras la máquina está en posición vertical como se muestra en la figura. Si la máquina está en posición vertical, el agua puede gotear hasta la unidad del motor, y ocasionar un mal funcionamiento de la máquina.

► **Fig.38**

Transporte del cortacésped

PRECAUCIÓN: Antes de transportar el cortacésped, asegúrese de que todos los cartuchos de batería han sido retirados.

Cuando transporte el cortacésped, sujételo por la empuñadura trasera y por la parte de sujeción inferior de la parte delantera de la máquina entre dos personas como se muestra en la figura.

► **Fig.39:** 1. Parte de sujeción inferior 2. Empuñadura trasera

Almacenamiento

⚠ PRECAUCIÓN: Cuando ponga la máquina en posición vertical, póngala sobre una superficie plana y estable. Si la máquina es puesta sobre una superficie inestable, podrá caerse y ocasionar heridas.

Almacéne el cortacésped en interiores en un lugar fresco, seco y cerrado con llave. No almacene el cortacésped y el cargador en lugares donde la temperatura pueda alcanzar o exceder los 40 °C.

1. Retire todos los cartuchos de batería.
2. Gire el pomo 90° mientras tira del pomo del asidero inferior para liberar el pasador de bloqueo. Realice el mismo procedimiento en el otro lado, y después pliegue el asidero.
▶ Fig.40: 1. Pomo

NOTA: Si sostiene el asidero le resultará más fácil liberar el pasador de bloqueo cuando tire del pomo.

3. Gire los pomos de ambos lados 90°. Asegúrese de que los pomos están sujetos firmemente.
▶ Fig.41: 1. Pomo

AVISO: Tenga cuidado de no pillar los cables cuando pliegue el asidero.

4. Afloje las tuercas manuales de ambos costados, y después pliegue el asidero superior como se muestra en la figura.
▶ Fig.42: 1. Tuerca manual 2. Asidero superior

5. Ponga la máquina en posición vertical.

NOTA: Cuando ponga el cortacésped en posición vertical, no lo sujete solo por el asidero, sino que sujételo por el cuerpo y el asidero.

6. Almacene la cesta para hierba como se muestra en la figura.
▶ Fig.43: 1. Cesta para hierba
▶ Fig.44: 1. Cesta para hierba

Desmontaje o instalación de la cuchilla de cortacésped

⚠ ADVERTENCIA: La cuchilla sigue girando por inercia durante unos cuantos segundos después de soltar el interruptor. No comience ninguna operación hasta que la cuchilla se haya detenido completamente.

⚠ ADVERTENCIA: Retire siempre todos los cartuchos de batería cuando vaya a desmontar o instalar la cuchilla. Si no retira todos los cartuchos de batería podrá ocasionar una herida grave.

⚠ ADVERTENCIA: Póngase siempre guantes cuando maneje la cuchilla.

AVISO: Cuando retire o instale la cuchilla de cortacésped, utilice la llave de tubo incluida en el paquete de la máquina.

Desmontaje de la cuchilla de cortacésped

1. Ponga el cortacésped sobre su costado de forma que la palanca de ajuste de la altura de siega quede en el lado superior.
2. Para bloquear la cuchilla, inserte el pasador en el orificio del cuerpo del cortacésped a fondo.
3. Gire el perno hacia la izquierda con la llave de tubo de 17.
▶ Fig.45: 1. Cuchilla de cortacésped 2. Pasador 3. Llave de tubo
4. Retire el perno, y después la cuchilla de cortacésped.
▶ Fig.46: 1. Soporte de la cuchilla 2. Cuchilla de cortacésped 3. Perno 4. Saliente

AVISO: Cuando instale la cuchilla de cortacésped, asegúrese de que las protuberancias del soporte de la cuchilla encajan en los orificios de la cuchilla de cortacésped.

Instalación de la cuchilla de cortacésped

⚠ ADVERTENCIA: Instale la cuchilla de cortacésped con cuidado. Ésta tiene una orientación hacia arriba/abajo.

⚠ ADVERTENCIA: Apriete el perno girándolo hacia la derecha firmemente para sujetar la cuchilla.

⚠ ADVERTENCIA: Asegúrese de que la cuchilla de cortacésped y todas las partes de fijación están instaladas correctamente y apretadas firmemente.

⚠ ADVERTENCIA: Cuando reemplace las cuchillas, siga siempre las instrucciones provistas en este manual.

AVISO: Después de instalar las cuchillas de cortacésped, retire el pasador del cuerpo del cortacésped.

AVISO: Cuando apriete el perno al instalar la cuchilla de cortacésped, aplique 19 - 29 N·m como par de apriete (los valores son solo para tener una referencia).

Para instalar las cuchillas de cortacésped, realice el procedimiento de desmontaje a la inversa.

SOLUCIÓN DE PROBLEMAS

Antes de solicitar reparaciones, realice su propia inspección en primer lugar. Si encuentra un problema que no está explicado en el manual, no intente desmontar la máquina. En su lugar, pregunte en los centros de servicio autorizados Makita, utilizando siempre piezas de recambio Makita para las reparaciones.

Estado de anomalía	Causa probable (mal funcionamiento)	Remedio
El cortacésped no se pone en marcha.	El cartucho de batería no está instalado.	Instale un cartucho de batería cargado.
	Problema de batería (poca tensión)	Recargue el cartucho de batería. Si la recarga no se realiza efectivamente, reemplace el cartucho de batería.
El motor se para después de usarlo un poco.	El nivel de carga de la batería es bajo.	Recargue el cartucho de batería. Si la recarga no se realiza efectivamente, reemplace el cartucho de batería.
	La altura de corte es muy baja.	Aumente la altura de corte.
	Hay hierba atascada en el cortacésped.	Retire la hierba atascada del cortacésped.
El motor no alcanza el máximo de RPM.	El cartucho de batería está instalado incorrectamente.	Instale el cartucho de batería como se describe en este manual.
	La potencia de la batería está cayendo.	Recargue el cartucho de batería. Si la recarga no se realiza efectivamente, reemplace el cartucho de batería.
	El sistema de accionamiento no funciona correctamente.	Pida a su centro de servicio autorizado local que se lo reparen.
La cuchilla de cortacésped no gira: ⇒ ¡detenga el cortacésped inmediatamente!	Se han atascado objetos extraños tales como una rama cerca de la cuchilla.	Retire el objeto extraño.
	El sistema de accionamiento no funciona correctamente.	Pida a su centro de servicio autorizado local que se lo reparen.
Vibración anormal: ⇒ ¡detenga el cortacésped inmediatamente!	La cuchilla está desequilibrada, excesivamente o desigualmente gastada.	Reemplace la cuchilla.

ACCESORIOS OPCIONALES

⚠PRECAUCIÓN: Estos accesorios o acoplamientos están recomendados para utilizar con su máquina Makita especificada en este manual. La utilización de cualquier otro accesorio o acoplamiento puede presentar un riesgo de heridas a personas. Utilice los accesorios o acoplamientos solamente para su fin establecido.

Si necesita cualquier ayuda para más detalles en relación con estos accesorios, pregunte al centro de servicio Makita local.

- Cuchilla de cortacésped
- Batería y cargador genuinos de Makita

NOTA: Algunos elementos de la lista podrán estar incluidos en el paquete del producto como accesorios estándar. Pueden variar de un país a otro.

ESPECIFICAÇÕES

Modelo:		LM001G	LM002G
Largura do corte de relva (diâmetro da lâmina)		480 mm	534 mm
Velocidade em vazio	Modo normal	3.200 min ⁻¹	2.800 min ⁻¹
	Modo suave sem carga	2.500 - 3.200 min ⁻¹	2.300 - 2.800 min ⁻¹
	Modo de redução do ruído	2.500 min ⁻¹	2.300 min ⁻¹
Número de peça da lâmina do cortador de relva sobresselente	Lâmina reta do cortador de relva	191V97-3	191V96-5
	Lâmina reta do cortador de relva *1	-	191W87-2
	Lâmina para mulching	191Y64-6	191Y65-4
Dimensões (C x L x A)	durante a operação	C: 1.670 mm a 1.745 mm L: 550 mm A: 965 mm a 1.075 mm	C: 1.740 mm a 1.810 mm L: 595 mm A: 970 mm a 1.080 mm
	quando armazenado (sem coletor de relva)	585 mm x 550 mm x 900 mm	580 mm x 595 mm x 930 mm
Velocidade de deslocação		1,5 - 5,0 km/h	
Tensão nominal		C.C. 36 V - 40 V máx.	
Peso líquido		28,0 - 33,0 kg	29,3 - 34,5 kg
Grau de proteção		IPX4	

*1. Lâmina do cortador de relva para uma recolha de relva mais eficiente.

- Devido a um programa contínuo de pesquisa e desenvolvimento, estas especificações estão sujeitas a alteração sem aviso prévio.
- As especificações podem variar de país para país.
- O peso poderá diferir em função do acessório(s), incluindo a bateria. A combinação mais leve e mais pesada, de acordo com o Procedimento EPTA 01/2014, é apresentada na tabela.

Bateria e carregador aplicável

Bateria	BL4020 / BL4025 / BL4040* / BL4040F* / BL4050F* / BL4080F* *: Bateria recomendada
Carregador	DC40RA / DC40RB / DC40RC / DC40WA


- Algumas das baterias e carregadores listados acima poderão não estar disponíveis, dependendo da sua região de residência.


⚠ AVISO: Utilize apenas as baterias e carregadores listados acima. A utilização de quaisquer outras baterias e carregadores pode causar ferimentos e/ou um incêndio.


⚠ AVISO: Não utilize uma fonte de alimentação com fio como um adaptador da bateria ou adaptador de baterias tipo mochila com esta máquina. O cabo de tal fonte de alimentação pode impedir a operação e resultar em ferimentos pessoais.

Símbolos

A seguir são apresentados os símbolos que podem ser utilizados para o equipamento. Certifique-se de que compreende o seu significado antes da utilização.

 Tenha especial cuidado e atenção.

 Leia o manual de instruções.

 Perigo; cuidado com os objetos arremessados.



Deve-se manter uma distância de pelo menos 15 m entre a ferramenta e os espetadores.



Nunca aproxime as mãos e os pés da lâmina do cortador de relva em baixo do cortador de relva. As lâminas do cortador de relva continuam a rodar depois de desligar o motor.



Aviso; desligue a bateria antes da manutenção.



Perigo elétrico. O contacto com a água pode causar choque elétrico.



Não verta água.



Apenas para países da UE
Devido à presença de componentes perigosos no equipamento, os resíduos de equipamentos elétricos e eletrônicos, acumuladores e baterias podem ter um impacto negativo no meio ambiente e na saúde humana.
Não elimine aparelhos elétricos e eletrônicos ou baterias juntamente com resíduos domésticos!
De acordo com a Diretiva europeia relativa aos resíduos de equipamentos elétricos e eletrônicos, acumuladores e baterias, bem como a respetiva adaptação à legislação nacional, os resíduos de equipamentos elétricos e eletrônicos, acumuladores e baterias devem ser armazenados separadamente e entregues num ponto de recolha separado para resíduos municipais, que opere de acordo com os regulamentos de proteção ambiental.
Tal é indicado pelo símbolo de contentor de lixo com rodas barrado com uma cruz colocado no equipamento.



Nível de potência sonora garantido de acordo com a Diretiva de ruído ambiente da UE.



Nível de potência sonora de acordo com o Regulamento de controlo do ruído de NSW da Austrália

Utilização a que se destina

A máquina serve para cortar a relva.

Ruído

A característica do nível de ruído A determinado de acordo com a EN62841-4-3:

Modelo LM001G

Nível medido de potência sonora (L_{WA}): 91 dB (A)
Nível garantido de potência sonora (L_{WA}): 94 dB (A)
Nível de pressão acústica (L_{pA}): 81 dB (A)
Incerteza para nível de pressão sonora (K): 3 dB (A)

Modelo LM002G

Nível medido de potência sonora (L_{WA}): 91 dB (A)
Nível garantido de potência sonora (L_{WA}): 94 dB (A)
Nível de pressão acústica (L_{pA}): 81 dB (A)
Incerteza para nível de pressão sonora (K): 3 dB (A)

NOTA: O(s) valor(es) da emissão de ruído indicado(s) foi medido de acordo com um método de teste padrão e pode ser utilizado para comparar duas ferramentas.

NOTA: O(s) valor(es) da emissão de ruído indicado(s) pode também ser utilizado na avaliação preliminar da exposição.

AVISO: Utilize protetores auriculares.

AVISO: A emissão de ruído durante a utilização real da ferramenta elétrica pode diferir do(s) valor(es) indicado(s), dependendo das formas como a ferramenta é utilizada, especialmente o tipo de peça de trabalho que é processada.

AVISO: Certifique-se de identificar as medidas de segurança para proteção do operador que sejam baseadas em uma estimativa de exposição em condições reais de utilização (considerando todas as partes do ciclo de operação, tal como quando a ferramenta está desligada e quando está a funcionar em marcha lenta além do tempo de acionamento).

Vibração

Valor total da vibração (soma vetorial tri-axial) determinado de acordo com a EN62841-4-3:

Modelo LM001G

Emissão de vibração (a_h): 2,5 m/s² ou menos
Variabilidade (K): 1,5 m/s²

Modelo LM002G

Emissão de vibração (a_h): 2,5 m/s² ou menos
Variabilidade (K): 1,5 m/s²

NOTA: O(s) valor(es) total(ais) de vibração indicado(s) foi medido de acordo com um método de teste padrão e pode ser utilizado para comparar duas ferramentas.

NOTA: O(s) valor(es) total(ais) de vibração indicado(s) pode também ser utilizado na avaliação preliminar da exposição.

AVISO: A emissão de vibração durante a utilização real da ferramenta elétrica pode diferir do(s) valor(es) indicado(s), dependendo das formas como a ferramenta é utilizada, especialmente o tipo de peça de trabalho que é processada.

AVISO: Certifique-se de identificar as medidas de segurança para proteção do operador que sejam baseadas em uma estimativa de exposição em condições reais de utilização (considerando todas as partes do ciclo de operação, tal como quando a ferramenta está desligada e quando está a funcionar em marcha lenta além do tempo de acionamento).

Declarações de conformidade

Apenas para os países europeus

As Declarações de conformidade estão incluídas no Anexo A deste manual de instruções.

AVISOS DE SEGURANÇA

Avisos gerais de segurança para ferramentas elétricas

AVISO Leia todos os avisos de segurança, instruções, ilustrações e especificações fornecidos com esta ferramenta elétrica. O incumprimento de todas as instruções abaixo enumeradas pode resultar em choque elétrico, incêndio e/ou ferimentos graves.

Guarde todos os avisos e instruções para futuras referências.

O termo "ferramenta elétrica" nos avisos refere-se às ferramentas elétricas ligadas à corrente elétrica (com cabo) ou às ferramentas elétricas operadas por meio de bateria (sem cabo).

Avisos de segurança da Cortadora de Grama a Bateria

1. **Não utilize o cortador de relva em más condições atmosféricas, especialmente quando existe o risco de relâmpagos.** Isto reduz o risco de ser atingido por um relâmpago.
2. **Inspeccione cuidadosamente a área quanto a fauna selvagem na qual o cortador de relva tem de ser utilizado.** A fauna selvagem poderá ser ferida pelo cortador de relva durante o funcionamento.
3. **Inspeccione cuidadosamente a área na qual o cortador de relva tem de ser utilizado e remova todas as pedras, paus, fios, ossos e outros objetos estranhos.** Os objetos projetados podem causar ferimentos pessoais.
4. **Antes de utilizar o cortador de relva, inspeccione sempre visualmente para verificar se a lâmina e o conjunto da lâmina não estão desgastados ou danificados.** As peças desgastadas ou danificadas aumentam o risco de ferimentos.
5. **Verifique o coletor de relva frequentemente para ver se apresenta desgaste ou deterioração.** Um coletor de relva desgastado ou danificado pode aumentar o risco de ferimentos pessoais.
6. **Mantenha os resguardos devidamente instalados. Os resguardos devem estar em bom estado e devidamente instalados.** Um resguardo solto, danificado ou que não esteja a funcionar corretamente pode resultar em ferimentos corporais.
7. **Mantenha todas as entradas de ar de arrefecimento livres de resíduos.** As entradas de ar bloqueadas e os detritos podem resultar em sobreaquecimento ou risco de incêndio.
8. **Use sempre calçado antiderrapante e de proteção enquanto utiliza o cortador de relva. Não utilize o cortador de relva se estiver descalço ou calçando sandálias abertas.** Isto reduz a possibilidade de ferimentos nos pés resultante do contacto com a lâmina móvel.
9. **Use sempre calças compridas enquanto utiliza o cortador de relva.** A pele exposta aumenta a probabilidade de ferimentos resultantes de objetos projetados.
10. **Não utilize o cortador de relva em erva molhada. Caminhe, nunca corra.** Isto reduz o risco de deslizamento e queda que podem resultar em lesões físicas.
11. **Não utilize o cortador de relva em terrenos excessivamente íngremes.** Isto reduz o risco de perda de controlo, deslizamento e queda que podem resultar em lesões físicas.
12. **Quando estiver a trabalhar em declives, certifique-se sempre onde posiciona os pés, trabalhe sempre em toda a face dos declives, nunca para cima ou para baixo e exerça de extremo cuidado quando mudar de direção.** Isto reduz o risco de perda de controlo, deslizamento e queda que podem resultar em lesões físicas.
13. **Tenha muito cuidado quando inverter ou puxar o cortador de relva na sua direção. Esteja sempre ciente da área circundante.** Isto reduz o risco de tropeçamento durante o funcionamento.

14. **Não toque nas lâminas e noutras peças móveis perigosas enquanto ainda estiverem em movimento.** Isto reduz o risco de ferimentos causados por peças móveis.
15. **Quando desimpedir material encurvadado ou realizar a limpeza do cortador de relva, certifique-se de que todos os interruptores de alimentação estão desligados e que o conjunto de baterias está desligado.** O funcionamento inesperado do cortador de relva pode resultar em ferimentos corporais graves.

GUARDE ESTAS INSTRUÇÕES.

AVISO: NÃO permita que o conforto ou a familiaridade com o produto (adquirido com o uso repetido) substitua a adesão estrita às regras de segurança da ferramenta.

A MÁ INTERPRETAÇÃO ou o não seguimento das regras de segurança estabelecidas neste manual de instruções pode causar danos pessoais graves.

INSTRUÇÕES DE SEGURANÇA IMPORTANTES

AVISO: Leia todos os avisos de segurança e todas as instruções. O não cumprimento de todos os avisos e instruções pode originar choque elétrico, incêndio e/ou ferimentos graves.

Guarde todos os avisos e instruções para futuras referências.

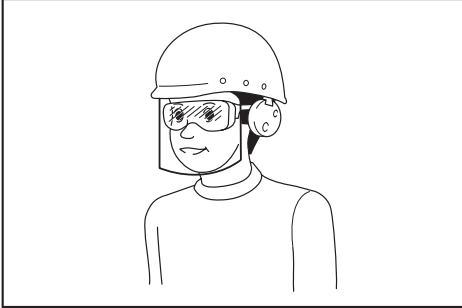
Formação

1. **Leia atentamente as instruções.** Familiarize-se com os controlos e a utilização adequada do cortador de relva.
2. **Nunca permita que crianças nem pessoas não familiarizadas com estas instruções utilizem o cortador de relva.** A idade do operador pode ser restringida de acordo com os regulamentos locais.
3. **Nunca utilize o cortador de relva se as pessoas, especialmente crianças, ou animais estiverem por perto.**
4. **Lembre-se de que o operador ou utilizador é responsável por acidentes ou riscos que ocorram a outras pessoas ou que danifiquem a propriedade alheia.**
5. **Deve supervisionar as crianças para garantir que elas não brincam com o cortador de relva.**
6. **Condição física - Não opere o cortador de relva se estiver sob a influência de drogas, bebidas alcoólicas ou qualquer medicamento.**

Preparação

1. **Utilize sempre calçado apropriado e calças compridas quando utilizar o cortador de relva. Não utilize o cortador de relva se estiver descalço ou calçando sandálias abertas.** Evite vestir roupas largas, usar joias soltas ou com pingentes ou gravatas. Podem ficar presas nas peças em movimento.

2. Antes da utilização, inspecione sempre visualmente o cortador de relva quanto a resguardos ou protetores danificados, em falta ou mal colocados.
3. Certifique-se de que não há outras pessoas na área antes de cortar a relva. Pare o cortador de relva se alguém entrar na área.
4. Use sempre óculos de proteção para proteger os seus olhos contra lesões quando utilizar ferramentas elétricas. Os óculos de proteção devem cumprir os requisitos da ANSI Z87.1 nos EUA, EN 166 na Europa ou AS/NZS 1336 na Austrália/ Nova Zelândia. Na Austrália/Nova Zelândia, é legalmente obrigatório o uso de um protetor facial para proteger o seu rosto também.



Cabe ao empregador a responsabilidade de impor o uso de equipamentos de proteção e segurança apropriados por parte dos operadores de ferramentas e por parte de outras pessoas na área de trabalho imediata.

5. Verifique cuidadosamente as lâminas ou os pernos da lâmina para ver se estão rachados ou danificados antes da operação. Substitua imediatamente as lâminas ou os pernos da lâmina rachados ou danificados.
6. Antes de começar a cortar a relva, remova os objetos estranhos como pedras, fios, garrafas, ossos e paus grandes da área de trabalho para evitar ferimentos pessoais ou danos no cortador de relva.
7. Os objetos atingidos pela lâmina do cortador de relva podem provocar ferimentos graves nas pessoas. O relvado deve ser sempre cuidadosamente inspecionado e limpo de todos os objetos antes de cada corte da relva.
8. Esteja atento a orifícios, sulcos, colisões, rochas ou outros objetos ocultos. O terreno irregular pode provocar um acidente de escorregamento e queda. A relva alta pode ocultar obstáculos.
9. Utilize equipamento de proteção pessoal. Use sempre óculos de proteção. Os equipamentos de proteção, como uma máscara contra a poeira, calçado de segurança antiderrapante, capacete ou proteção auricular utilizados para as condições adequadas, reduzirão os ferimentos pessoais.

Operação

1. Não se estique demasiado. Mantenha sempre o equilíbrio. Assegure-se sempre do seu posicionamento em declives. Caminhe, nunca corra.

2. Pare o cortador de relva e desligue a máquina, e certifique-se de que todas as peças móveis param completamente:
 - sempre que se afastar do cortador de relva,
 - antes de limpar bloqueios ou desentupir a saída de relva,
 - antes de verificar, limpar ou trabalhar no cortador de relva,
 - depois de bater num objeto estranho.
 Inspeção o cortador de relva quanto a danos e repare-o antes de reiniciar e operar o cortador de relva,
 - sempre que o cortador de relva começar a vibrar de forma invulgar.
3. Nunca opere o cortador de relva com resguardos ou protetores defeituosos ou sem os dispositivos de segurança instalados, por exemplo, os defletores e/ou o coletor de relva.
4. Evite utilizar o cortador de relva em más condições atmosféricas, especialmente quando houver risco de relâmpagos.
5. Use sempre proteção ocular e calçado robusto enquanto opera o cortador de relva.
6. Opere o cortador de relva só durante o dia ou com boa iluminação artificial.
7. Ligue cuidadosamente o cortador de relva, de acordo com as instruções e com os pés bem afastados da(s) lâmina(s).
8. Previna-se contra ferimentos nos pés e nas mãos provocados pelas lâminas do cortador de relva.
9. Garanta sempre que as aberturas de ventilação são mantidas livres de resíduos.
10. Em terrenos inclinados, corte a relva transversalmente, nunca para cima e para baixo. Tenha muito cuidado ao mudar de direção em declives. Não corte relva em terrenos extremamente inclinados.
11. Tenha muito cuidado quando inverter ou puxar o cortador de relva na sua direção.
12. Pare a(s) lâmina(s) se tiver de inclinar o cortador de relva para o transportar quando cruzar áreas não relvadas e quando transportar o cortador de relva de e para a área onde será utilizado.
13. Não incline o cortador de relva quando ligar o motor, a menos que tenha de inclinar o cortador de relva para o ligar. Neste caso, não o incline mais do que o necessário e levante apenas a parte que está afastada do operador. Assegure sempre que tem as duas mãos na posição operacional antes de voltar a colocar o cortador de relva no chão.
14. Não ponha as mãos ou pés perto nem debaixo das peças rotativas. Mantenha-se sempre afastado da abertura de descarga.
15. Não transporte o cortador de relva enquanto está ligado.
16. Evite operar o cortador de relva em relva molhada.
17. Segure o guiador sempre com firmeza.
18. Não agarre nas lâminas de corte expostas nem nos bordos cortantes quando levantar ou segurar o cortador de relva.

19. Mantenha as mãos e os pés afastados das lâminas rotativas. Precaução - As lâminas continuam a rodar depois de desligar o cortador de relva.
 20. Pare imediatamente a operação se observar algo fora do normal. Desligue o cortador de relva. Em seguida, inspecione o cortador de relva.
 21. Nunca tente fazer ajustes na altura de corte enquanto o cortador de relva está em funcionamento se o cortador de relva dispuser da funcionalidade de ajuste da altura de corte.
 22. Solte a alavanca do interruptor e espere que a lâmina pare de rodar antes de atravessar zonas pavimentadas, passeios, ruas ou qualquer área com gravilha. Desligue também a máquina se se afastar do cortador de relva, quando se esticar para apanhar ou remover qualquer objeto do caminho ou por qualquer outro motivo que possa distraí-lo do que está a fazer.
 23. Se o cortador de relva bater num objeto estranho, siga os passos abaixo:
 - Pare o cortador de relva, liberte a alavanca do interruptor e aguarde até a lâmina parar completamente.
 - Remova a bateria.
 - Inspeccione cuidadosamente o cortador de relva para ver se apresenta algum dano.
 - Substitua a lâmina se apresentar qualquer tipo de dano. Repare qualquer dano antes de reiniciar e continuar a utilizar o cortador de relva.
 24. Não ligue o cortador de relva quando estiver em frente da abertura de descarga.
 25. Se o cortador de relva começar a vibrar anormalmente (verifique imediatamente)
 - inspecione quanto a danos,
 - substitua ou repare as peças danificadas,
 - verifique se há peças soltas e aperte-as.
 26. Nunca aponte o material descarregado na direção de outras pessoas. Evite descarregar material contra uma parede ou obstrução. O material pode fazer ricochete de volta na direção do operador. Pare a lâmina quando cruzar superfícies de gravilha.
 27. Não puxe o cortador de relva para trás a menos que seja absolutamente necessário. Quando é obrigado a mover o cortador de relva para trás relativamente a uma cerca ou outra obstrução semelhante, olhe para baixo e para trás antes de se mover para trás e enquanto se move para trás.
 28. Desligue o motor e aguarde até a lâmina parar completamente antes de retirar o apanhador de relva. Tenha cuidado, pois as lâminas continuam a rodar após desligar.
 29. Quando utilizar a máquina em terreno lamacento, declives húmidos ou local escorregadio, preste atenção ao seu posicionamento.
 30. Não submerja a máquina numa poça.
 31. Quando utilizar a máquina, preste atenção à tubagem e cablagem.
2. Inspeccione e realize a manutenção do cortador de relva regularmente.
 3. Quando não estiver em utilização, guarde o cortador de relva fora do alcance das crianças.
 4. Mantenha todas as porcas, pernos e parafusos apertados para garantir que o equipamento está em condições de trabalho seguras.
 5. Verifique o coletor de relva frequentemente para ver se apresenta desgaste ou deterioração. Quando armazenar, certifique-se sempre que o coletor de relva está vazio. Substitua um coletor de relva desgastado por uma peça de substituição nova, de fábrica, para sua segurança.
 6. Utilize só as lâminas originais do fabricante especificadas neste manual.
 7. Tenha muito cuidado durante o ajuste do cortador de relva para evitar prender os dedos entre as lâminas em movimento e as peças fixas do cortador de relva.
 8. Inspeccione o perno de montagem da lâmina em intervalos frequentes para verificar se está bem apertado.
 9. Deixe sempre o cortador de relva arrefecer antes de o guardar.
 10. Ao fazer a manutenção nas lâminas lembre-se que, apesar de a fonte de alimentação estar desligada, as lâminas podem continuar a mover-se.
 11. Nunca remova ou manipule dispositivos de segurança. Verifique com regularidade se estão a funcionar corretamente. Nunca realize qualquer ação que interfira com a função pretendida de um dispositivo de segurança ou que reduza a proteção proporcionada por um dispositivo de segurança.
 12. Não deixe a máquina sem supervisão no exterior à chuva.
 13. Quando guardar a máquina, evite a luz solar direta e a chuva e guarde-a num local onde não fique quente ou húmido.

Utilização e cuidados com a ferramenta a bateria

1. **Recarregue apenas com o carregador especificado pelo fabricante.** Um carregador adequado para um tipo de bateria pode criar um risco de incêndio quando utilizado com outra bateria.
2. **Utilize as ferramentas elétricas apenas com as baterias especificamente designadas.** A utilização de uma bateria diferente pode criar um risco de ferimentos e de incêndio.
3. **Quando a bateria não está a ser utilizada, mantenha-a afastada de outros objetos metálicos, como cliques, moedas, chaves, pregos, parafusos ou outros objetos metálicos pequenos que possam fazer a ligação entre os dois terminais.** Colocar os terminais da bateria em curto-circuito um com o outro pode provocar queimaduras ou um incêndio.
4. **Em condições abusivas, o líquido pode ser ejetado da bateria; evite o contacto com o mesmo. Se ocorrer um contacto accidental, lave com água.** Se o líquido entrar em contacto com os olhos, procure também assistência médica. O líquido ejetado da bateria pode provocar irritações ou queimaduras.

Manutenção e armazenamento

1. **Como medida de segurança, substitua as peças desgastadas ou danificadas. Utilize apenas acessórios e peças de substituição originais.**

5. **Não utilize um conjunto de baterias ou uma ferramenta que se encontrem danificados ou modificados.** As baterias danificadas ou modificadas poderão exibir um comportamento imprevisível, resultando em incêndio, explosão ou risco de lesão.
6. **Não exponha um conjunto de baterias ou uma ferramenta a incêndio ou temperatura excessiva.** A exposição a um incêndio ou a uma temperatura superior a 130 °C poderá causar uma explosão.
7. **Siga todas as instruções de carregamento e não carregue o conjunto de baterias ou ferramenta fora da amplitude de temperaturas especificada nas instruções.** O carregamento impróprio ou a temperaturas fora da amplitude especificada poderá danificar a bateria e aumentar o risco de incêndio.

Segurança elétrica e da bateria

1. **Não elimine a(s) bateria(s) no fogo.** A célula pode explodir. Verifique com os códigos locais as possíveis instruções de eliminação especiais.
2. **Não abra nem mutile a(s) bateria(s).** O eletrólito libertado é corrosivo e pode provocar danos nos olhos ou na pele. Pode ser tóxico se for engolido.
3. **Não carregue a bateria sob chuva ou em locais húmidos.**
4. **Não carregue a bateria ao ar livre.**
5. **Não toque no carregador, incluindo a ficha do carregador e os terminais do carregador, com as mãos molhadas.**
6. **Não substitua a bateria à chuva.**
7. **Não molhe o terminal da bateria com líquido, tal como água, nem submerja a bateria. Não deixe a bateria à chuva nem carregue, utilize ou guarde a bateria num local húmido ou molhado.** Se o terminal ficar molhado ou entrar líquido para a bateria, a bateria pode entrar em curto-circuito e existe um risco de sobreaquecimento, incêndio ou explosão.
8. **Após remover a bateria da máquina ou do carregador, certifique-se de que prende a tampa da bateria à bateria e guarde-a num local seco.**
9. **Não substitua a bateria com as mãos molhadas.**
10. **Evite ambientes perigosos. Não utilize a máquina em locais húmidos ou molhados, nem a exponha à chuva.** A água que entra na máquina aumenta o risco de choque elétrico.
11. **Se a bateria ficar húmida, drene a água no interior e limpe-a com um pano seco. Seque a bateria completamente num local seco antes de utilizá-la.**

Assistência

1. **A ferramenta elétrica deve receber assistência por parte de pessoal qualificado que utilize apenas peças de substituição idênticas.** Isto garantirá que a segurança da ferramenta elétrica é mantida.
2. **Nunca repare conjuntos de baterias danificados.** A reparação de conjuntos de baterias apenas deve ser realizada pelo fabricante ou por prestadores de serviços autorizados.

GUARDE ESTAS INSTRUÇÕES.

AVISO: NÃO permita que o conforto ou a familiaridade com o produto (adquirido com o uso repetido) substitua a adesão estrita às regras de segurança da ferramenta.

A MÁ INTERPRETAÇÃO ou o não seguimento das regras de segurança estabelecidas neste manual de instruções pode causar danos pessoais graves.

Instruções de segurança importantes para a bateria

1. **Antes de utilizar a bateria, leia todas as instruções e etiquetas de precaução no (1) carregador de bateria (2) bateria e (3) produto que utiliza a bateria.**
2. **Não desmonte ou manipule a bateria.** Pode resultar num incêndio, em calor excessivo ou numa explosão.
3. **Se o tempo de funcionamento se tornar excessivamente curto, pare o funcionamento imediatamente. Pode resultar em sobreaquecimento, possíveis queimaduras e mesmo explosão.**
4. **Se entrar eletrólito nos seus olhos, lave-os com água e consulte imediatamente um médico. Pode resultar em perda de visão.**
5. **Não coloque a bateria em curto-circuito:**
 - (1) Não toque nos terminais com qualquer material condutor.
 - (2) Evite guardar a bateria juntamente com outros objetos metálicos tais como pregos, moedas, etc.
 - (3) Não exponha a bateria à água ou chuva. Um curto-circuito pode ocasionar um enorme fluxo de corrente, sobreaquecimento, possíveis queimaduras e mesmo estragar-se.
6. **Não guarde nem utilize a ferramenta e a bateria em locais onde a temperatura pode atingir ou exceder 50 °C.**
7. **Não queime a bateria mesmo que esteja estragada ou completamente gasta. A bateria pode explodir no fogo.**
8. **Não pregue, corte, esmague, atire, deixe cair a bateria, nem bata a bateria contra um objeto rijo.** Esta conduta pode resultar num incêndio, em calor excessivo ou numa explosão.
9. **Não utilize uma bateria danificada.**
10. **As baterias de íões de lítio contidas na ferramenta são sujeitas aos requisitos da DGL (Dangerous Goods Legislation - Legislação de bens perigosos).** Para o transporte comercial, por exemplo, por terceiros ou agentes de expedição, têm de ser observados os requisitos referentes à embalagem e etiquetagem. Para preparação do artigo a ser expedido, é necessário consultar um perito em materiais perigosos. Tenha ainda em conta a possibilidade de existirem regulamentos nacionais mais detalhados. Coloque fita-cola ou tape os contactos abertos e embale a bateria de tal forma que não possa mover-se dentro da embalagem.

11. Quando eliminar a bateria, remova-a da ferramenta e elimine-a num local seguro. Siga os regulamentos locais relacionados com a eliminação de baterias.
12. Utilize as baterias apenas com os produtos especificados pela Makita. Instalar as baterias em produtos não-conformes poderá resultar num incêndio, calor excessivo, explosão ou fuga de eletrólito.
13. Se a ferramenta não for utilizada durante um período de tempo prolongado, a bateria deve ser removida da ferramenta.
14. Durante e após a utilização, a bateria pode aquecer, o que pode provocar queimaduras ou queimaduras a baixa temperatura. Preste atenção ao manuseamento de baterias quentes.
15. Não toque no terminal da ferramenta imediatamente após a utilização, pois pode ficar suficientemente quente para provocar queimaduras.
16. Não permita a adesão de aparas, pó ou sujidade nos terminais, nos orifícios e nas ranhuras da bateria. Poderá fazer com que a ferramenta ou a bateria aqueça, incendeie, rebente e avarie, resultando em queimaduras ou ferimentos corporais.
17. A menos que a ferramenta suporte a utilização perto de linhas elétricas de alta tensão, não utilize a bateria perto de linhas elétricas de alta tensão. Pode resultar no mau funcionamento ou na avaria da ferramenta ou bateria.
18. Mantenha a bateria afastada das crianças.

GUARDE ESTAS INSTRUÇÕES.

⚠PRECAUÇÃO: Utilize apenas baterias genuínas da Makita. A utilização de baterias não genuínas da Makita ou de baterias que foram alteradas, pode resultar no rebentamento da bateria provocando incêndios, ferimentos pessoais e danos. Além disso, anulará da garantia da Makita no que se refere à ferramenta e ao carregador Makita.

Conselhos para manter a máxima vida útil da bateria

1. Carregue a bateria antes que esteja completamente descarregada. Pare sempre o funcionamento da ferramenta e carregue a bateria quando notar menos poder na ferramenta.
2. Nunca carregue uma bateria completamente carregada. Carregamento excessivo diminui a vida útil da bateria.
3. Carregue a bateria à temperatura ambiente de 10 °C – 40 °C. Deixe que uma bateria quente arrefeça antes de a carregar.
4. Quando não utilizar a bateria, remova-a da ferramenta ou do carregador.
5. Carregue a bateria se não a utilizar durante um longo período de tempo (mais de seis meses).

MONTAGEM

⚠AVISO: Certifique-se sempre de que todas as baterias foram retiradas antes de efetuar qualquer trabalho na máquina. A não remoção de todas as baterias pode resultar em ferimentos pessoais graves devido a um arranque accidental.

⚠AVISO: Nunca ligue o cortador de relva a menos que esteja completamente montado. A operação da máquina num estado parcialmente montado pode resultar em ferimentos pessoais graves provocados pelo arranque accidental.

Instalar o guiador

OBSERVAÇÃO: Quando instalar os guidores, tenha cuidado para não prender o cabo entre os guidores. Se o cabo estiver danificado, o interruptor do cortador de relva pode não funcionar.

1. Alinhe o orifício no guiador inferior com o orifício no guiador superior e, em seguida, insira o perno a partir de fora e depois aperte a porca recartilhada a partir de dentro. Efetue o mesmo procedimento no outro lado.

► Fig.1: 1. Perno 2. Porca recartilhada 3. Guiador inferior 4. Guiador superior

2. Rode o botão a 90° enquanto puxa o botão no guiador inferior para libertar o pino de bloqueio. Efetue o mesmo procedimento no outro lado. Eleve o guiador e, em seguida, rode o botão em ambos os lados a 90°. Certifique-se de que os botões estão firmemente fixados.

► Fig.2: 1. Botão

NOTA: Apoiar o guiador facilita a libertação do pino de bloqueio quando puxar o botão.

NOTA: Quando rodar o botão, tenha cuidado para que o cabo não fique preso no botão.

► Fig.3: 1. Botão

Remover a tampa para mulching

1. Abra a tampa traseira.

► Fig.4: 1. Tampa traseira

2. Eleve a tampa para mulching ligeiramente e, em seguida, remova-a.

► Fig.5: 1. Tampa para mulching

Montar o coletor de relva

1. Pegue no clipe superior do coletor de relva.

► Fig.6: 1. Clipe superior

2. Insira a estrutura no coletor de relva até ao fim enquanto segura o puxador da estrutura.

► Fig.7: 1. Puxador

OBSERVAÇÃO: Não insira o puxador no coletor de relva. Certifique-se de que insere a estrutura ao longo da costura do coletor de relva.

3. Certifique-se de que não existe descaimento nos cantos do coletor de relva.

► Fig.8

4. Abra o clipe superior e prenda-o na estrutura.

► Fig.9

5. Prenda todos os outros cliques conforme apresentado na figura. Certifique-se de que todos os cliques estão firmemente presos na estrutura.

► Fig.10: 1. Clipe

Instalar ou remover o coletor de relva

Para instalar o coletor de relva, siga os passos seguintes.

1. Abra a tampa traseira.

► Fig.11: 1. Tampa traseira

2. Segure o puxador do coletor de relva e, em seguida, enganche o coletor de relva na haste da estrutura do cortador de relva conforme ilustrado na figura.

► Fig.12: 1. Coletor de relva 2. Puxador 3. Haste

Para remover o coletor de relva, abra a tampa traseira e, em seguida, retire o coletor de relva segurando pelo puxador.

Prender a tampa para mulching

1. Abra a tampa traseira e, em seguida, remova o coletor de relva.

► Fig.13: 1. Tampa traseira 2. Coletor de relva

2. Prenda a tampa para mulching empurrando-a até ao fim de modo que as saliências na tampa para mulching encaixem nos orifícios na máquina.

► Fig.14: 1. Tampa para mulching 2. Saliência

Instalar ou remover a calha de descarga

Para instalar a calha de descarga, siga os passos abaixo.

1. Abra a tampa traseira e, em seguida, remova o coletor de relva e a tampa para mulching.

2. Enganche os orifícios na calha de descarga nas saliências no corpo do cortador de relva conforme apresentado na figura.

► Fig.15: 1. Calha de descarga 2. Saliência

Para remover a calha de descarga, abra a tampa traseira e, em seguida, remova a calha de descarga.

DESCRIÇÃO FUNCIONAL

Instalação ou remoção da bateria

⚠PRECAUÇÃO: Desligue sempre a máquina antes de instalar ou retirar a bateria.

⚠PRECAUÇÃO: Segure firmemente a máquina e a bateria quando instalar ou remover a bateria. Se não segurar firmemente a máquina e a bateria pode fazer com que escorreguem das suas mãos resultando em danos na máquina e na bateria e ferimentos pessoais.

⚠PRECAUÇÃO: Certifique-se de que tranca a tampa da bateria antes de utilizar a ferramenta. Caso contrário a lama, sujidade ou água podem provocar danos no produto ou na bateria.

⚠PRECAUÇÃO: Instale sempre a bateria até encaixar no lugar, ou seja, até não conseguir ver o indicador vermelho. Caso contrário, pode cair acidentalmente para fora da máquina, causando ferimentos a si ou a alguém próximo de si.

⚠PRECAUÇÃO: Não instale a bateria forçando-a. Se a bateria não entrar com facilidade, é porque não está a inseri-la corretamente.

⚠PRECAUÇÃO: Segure firmemente a tampa da bateria quando instalar ou remover a bateria.

Para instalar a bateria:

1. Puxe a alavanca de bloqueio para cima e, em seguida, abra a tampa da bateria.

► Fig.16: 1. Tampa da bateria 2. Alavanca de bloqueio

2. Alinhe a lingueta na bateria com a ranhura na máquina e, em seguida, deslize a bateria até bloquear no lugar com um pequeno clique.

► Fig.17: 1. Bateria

3. Feche a tampa da bateria e empurre-a até travar com a alavanca de bloqueio.

Para remover a bateria:

1. Puxe a alavanca de bloqueio para cima e abra a tampa da bateria.

2. Retire a bateria da máquina enquanto desliza o botão na frente da bateria.

3. Feche a tampa da bateria.

Sistema de proteção da máquina / bateria

A máquina está equipada com um sistema de proteção da máquina/bateria. Este sistema desliga automaticamente a alimentação do motor para prolongar a vida útil da máquina e da bateria. A máquina para automaticamente durante o funcionamento se a máquina ou a bateria for colocada numa das seguintes condições:

Proteção contra sobrecarga

Quando a bateria é utilizada de uma forma que causa a absorção de uma corrente anormalmente alta, a máquina para automaticamente e a lâmpada de alimentação principal pisca a verde. Nesta situação, desligue a máquina e pare a aplicação que causou a sobrecarga da máquina. Em seguida, ligue a máquina para reiniciar.

Proteção contra sobreaquecimento

Quando a máquina estiver sobreaquecida, a máquina para automaticamente e a lâmpada de alimentação principal acende a vermelho. Neste caso, deixe a máquina e as baterias arrefecerem antes de ligar novamente a máquina.

NOTA: Quando a bateria estiver sobreaquecida, a lâmpada de alimentação principal pisca a vermelho.

Proteção contra descarga excessiva

Quando a capacidade da bateria não for suficiente, a máquina para automaticamente e a lâmpada de alimentação principal pisca a vermelho. Neste caso, remova a bateria da máquina e carregue as baterias ou substitua as baterias por baterias totalmente carregadas.

Proteções contra outras causas

O sistema de proteção foi também concebido para outras causas que possam danificar a máquina e permite à máquina parar automaticamente. Tome todas as medidas que se seguem para eliminar as causas quando a máquina tiver parado ou interrompido temporariamente a operação.

1. Desligue a máquina e, em seguida, volte a ligá-la para reiniciar.
2. Carregue a(s) bateria(s) ou substitua-a(s) por bateria(s) recarregada(s).
3. Deixe a máquina e a(s) bateria(s) arrefecerem.

Se não for possível constatar qualquer melhoria através do restauro do sistema de proteção, contacte o centro de assistência Makita local.

OBSERVAÇÃO: Se a máquina parar devido a uma causa não descrita acima, consulte a secção de resolução de problemas.

Indicação da capacidade restante da bateria

► **Fig.18:** 1. Indicador da bateria

Quando a capacidade restante da bateria fica fraca, o indicador da bateria pisca no lado da bateria aplicável. Se continuar a utilizá-la, a máquina para e o indicador da bateria acende. Nesta situação, carregue a bateria.

NOTA: Se estiverem instaladas duas baterias, a bateria instalada no lado esquerdo é utilizada primeiro.

NOTA: Se estiverem instaladas duas baterias, a máquina troca automaticamente a bateria quando a bateria em utilização ficar vazia.

Indicação da capacidade restante da bateria

Prima o botão de verificação na bateria para indicar a capacidade restante da bateria. As luzes indicadoras acendem durante alguns segundos.

► **Fig.19:** 1. Luzes indicadoras 2. Botão de verificação

Luzes indicadoras			Capacidade restante
Aceso	Apagado	A piscar	
			75% a 100%
			50% a 75%
			25% a 50%
			0% a 25%
			Carregar a bateria.
			A bateria pode estar avariada.

NOTA: Dependendo das condições de utilização e da temperatura ambiente, a indicação pode ser ligeiramente diferente da capacidade real.

NOTA: A primeira luz indicadora (extremo esquerdo) pisca quando o sistema de proteção da bateria funciona.

Painel de controlo

O painel de controlo conta com o interruptor de alimentação principal e o botão de mudança de modo.

► **Fig.20:** 1. Luz de modo suave sem carga 2. Luz de modo de redução do ruído 3. Botão de mudança de modo 4. Lâmpada de alimentação principal 5. Interruptor de alimentação principal

Interruptor de alimentação principal

AVISO: Desligue sempre o interruptor de alimentação principal quando não estiver a ser utilizado.

Para ligar a máquina, prima o interruptor de alimentação principal. A lâmpada de alimentação principal acende a verde. Para desligar a máquina, prima novamente o interruptor de alimentação principal.

NOTA: Se a lâmpada de alimentação principal acender a vermelho ou piscar a vermelho ou a verde, consulte as instruções relativas ao sistema de proteção da máquina/bateria.

NOTA: Esta máquina utiliza a função de desconexão automática. Para evitar o arranque não intencional, o interruptor de alimentação principal desliga automaticamente quando a alavanca do interruptor e a alavanca de acionamento (se equipada) não forem puxadas durante um determinado período de tempo, depois de se ligar o interruptor de alimentação principal.

Botão de mudança de modo

Pode mudar o modo de funcionamento ao pressionar o botão de mudança de modo. Quando a máquina estiver ligada, a máquina efetua o arranque no modo normal. Consulte a tabela abaixo para cada modo.

Modo	Lâmpada	Descrição
Modo normal	Tanto a lâmpada de modo suave sem carga como a lâmpada de modo de redução do ruído estão desligadas.	A máquina funciona no modo normal.
Modo suave sem carga	A lâmpada de modo suave sem carga acende a verde.	Pode minimizar um choque de arranque e arrancar suavemente a máquina.
Modo de redução do ruído	A lâmpada de modo de redução do ruído acende a verde.	Pode diminuir o ruído durante o corte da relva.

Ação do interruptor

AVISO: Antes de instalar a bateria, verifique sempre se a alavanca do interruptor funciona corretamente e volta à posição original quando é libertada. Utilizar a máquina com um interruptor que não aciona corretamente pode provocar a perda de controlo e ferimentos pessoais graves.

NOTA: O cortador de relva não liga se não carregar no botão do interruptor, mesmo que tenha puxado a alavanca do interruptor.

NOTA: O cortador de relva pode não arrancar devido a sobrecarga, quando tenta cortar relva longa ou densa de uma vez. Aumente a altura do corte, neste caso.

Esta máquina está equipada com o botão do interruptor. Se observar alguma coisa fora do normal com o botão do interruptor, pare a operação imediatamente e peça para ser inspecionado no centro de assistência autorizado da Makita mais próximo.

1. Instale as baterias e, em seguida, feche a tampa da bateria.
2. Pressione o interruptor de alimentação principal.

NOTA: A lâmpada de alimentação principal pisca a verde se pressionar o interruptor de alimentação principal enquanto puxa a alavanca do interruptor. Solte a alavanca do interruptor antes de pressionar o interruptor de alimentação principal.

3. Puxe a alavanca do interruptor na sua direção enquanto pressiona o botão do interruptor para baixo. Solte o botão do interruptor quando o motor começar a funcionar.
► **Fig.21:** 1. Botão do interruptor 2. Alavanca do interruptor

4. Enquanto segura a alavanca do interruptor, empurre a alavanca de acionamento para a frente e segure-a para acionar as rodas traseiras.
► **Fig.22:** 1. Alavanca de acionamento

NOTA: Pode acionar as rodas traseiras empurrando a alavanca de acionamento para a frente e segurando-a sem puxar a alavanca do interruptor.

5. Solte a alavanca de acionamento e a alavanca do interruptor para parar a máquina.

Ajustar a altura do corte

AVISO: Nunca ponha as mãos ou pernas por baixo do corpo do cortador de relva quando ajustar a altura do corte.

AVISO: Verifique sempre se a alavanca encaixa devidamente dentro da ranhura antes da operação.

A altura do corte da relva pode ser ajustada num intervalo entre 20 mm e 100 mm.

Desligue a máquina e, em seguida, puxe a alavanca de ajuste da altura do corte em direção ao exterior do corpo do cortador de relva e mova-a para a altura de corte da relva pretendida.

► **Fig.23:** 1. Alavanca de ajuste da altura do corte

A tabela seguinte apresenta a relação entre o número na estrutura do cortador de relva e a altura aproximada de corte da relva.

Número	Altura de corte da relva
1	20 mm
2	26 mm
3	32 mm
4	39 mm
5	47 mm
6	55 mm
7	63 mm
8	74 mm
9	86 mm
10	100 mm

Segure o guiador inferior com uma mão e, em seguida, mova a alavanca de ajuste da altura do corte com a outra mão.

► **Fig.24:** 1. Alavanca de ajuste da altura do corte
2. Guiador inferior

NOTA: Os valores de altura de corte devem ser utilizados como orientação. Dependendo das condições do relvado ou do chão, a altura real da relva pode diferir ligeiramente da altura definida.

NOTA: Faça um teste de corte da relva num local menos evidente para obter a altura desejada.

Indicador do nível da relva

O indicador de nível da relva mostra o volume de relva cortada. Quando o coletor de relva não está cheio, o indicador flutua enquanto as lâminas estão a funcionar.

► **Fig.25:** 1. Indicador do nível da relva

Quando o coletor de relva está quase cheio, o indicador não flutua enquanto as lâminas estão a funcionar. Neste caso, pare a operação imediatamente e esvazie o coletor.

► **Fig.26:** 1. Indicador do nível da relva

NOTA: Este indicador é um guia pouco seguro. Dependendo das condições do interior do coletor, este indicador pode não funcionar corretamente.

Ajustar a altura do guiador

A altura do guiador pode ser ajustada em dois níveis.

1. Segure o guiador inferior e, em seguida, rode o botão a 90° enquanto puxa o botão no guiador inferior para libertar o pino de bloqueio. Efetue o mesmo procedimento no outro lado.

► **Fig.27:** 1. Guiador inferior 2. Botão

NOTA: Apoiar o guiador facilita a libertação do pino de bloqueio quando puxar o botão.

2. Ajuste a altura do guiador e, em seguida, rode o botão em ambos os lados a 90°. Certifique-se de que os botões estão firmemente fixados.

► **Fig.28:** 1. Botão

Ajustar a velocidade de deslocação

► **Fig.29:** 1. Alavanca de velocidade

A velocidade de deslocação pode ser ajustada com a alavanca de velocidade. Para diminuir a velocidade, puxe a alavanca na sua direção, e para aumentar a velocidade, rode a alavanca para a frente.

Utilizar a tampa para mulching

A tampa para mulching permite-lhe devolver a relva cortada ao solo sem reunir a relva cortada no coletor de relva. Quando utilizar a máquina com a tampa para mulching, certifique-se de que remove o coletor de relva ou a calha de descarga.

OBSERVAÇÃO: Quando utilizar a máquina com a tampa para mulching, certifique-se de que o comprimento total da relva após o corte é de 30 mm ou mais e que o comprimento de corte é de 15 mm ou menos.

► **Fig.30:** (1) 30 mm ou mais (2) 15 mm ou menos

Utilizar a calha de descarga

A calha de descarga permite-lhe descarregar a relva cortada no solo a partir do lado direito da máquina sem reunir a relva cortada no coletor de relva. Quando utilizar a máquina com a calha de descarga, certifique-se de que remove o coletor de relva e a tampa para mulching.

Utilizar a descarga traseira

A utilização da descarga traseira permite-lhe descarregar a relva cortada para o solo a partir do lado traseiro da máquina sem reunir a relva cortada no coletor de relva.

Quando utilizar a máquina utilizando a descarga traseira, certifique-se de que remove a tampa para mulching e o coletor de relva ou a calha de descarga, e que fecha a tampa traseira.

Função eletrónica

A máquina está equipada com as funções eletrónicas para operação fácil.

- Arranque suave para condução
A função de arranque suave minimiza o choque de arranque e faz com que a máquina arranque suavemente.
- Travão elétrico
Esta máquina está equipada com um travão elétrico. Se a máquina consistentemente não parar rapidamente as lâminas do cortador de relva após a libertação da alavanca do interruptor, solicite a reparação da máquina num centro de assistência técnica autorizado da Makita.

OPERAÇÃO

Cortar a relva

AVISO: Antes de cortar a relva, retire os paus e pedras da área que vai cortar. Remova também as ervas daninhas da área antes de cortar.

AVISO: Utilize sempre óculos de segurança ou proteção com proteções laterais quando operar o cortador de relva.

PRECAUÇÃO: Se a relva cortada ou o objeto estranho ficarem bloqueados no interior do corpo do cortador de relva, certifique-se de que remove as baterias e utilize luvas antes de remover a relva ou o objeto estranho.

OBSERVAÇÃO: Utilize esta máquina apenas para cortar relva. Não corte ervas daninhas com esta máquina.

► **Fig.31**

Agarre firmemente o guiador com as duas mãos para cortar a relva. A orientação de velocidade de corte da relva é de aproximadamente 7 a 14 metros por 10 segundos.

► **Fig.32**

NOTA: Quando cortar relva comprida ou relva densa, se uma irregularidade em termos de comprimento da relva ou um mau acabamento forem detetados após o corte da relva, ou se uma diminuição da velocidade do motor for detetada durante o corte da relva, diminua a velocidade de corte da relva para um valor inferior ao recomendado neste manual ou aumente a altura de corte da relva.

As linhas centrais das rodas frontais são orientações para a largura de corte da relva. Utilizando as linhas centrais como orientações, corte a relva em faixas. Sobreponha metade a um terço da faixa anterior para cortar a relva uniformemente.

► **Fig.33:** 1. Largura de corte da relva 2. Área de sobreposição 3. Linha central

Altere a direção de corte da relva de cada vez que cortar a relva, de modo a impedir a formação do padrão de veio da relva apenas numa direção.

► **Fig.34**

Verifique periodicamente o coletor de relva para ver se tem relva cortada. Esvazie a relva antes de o coletor ficar cheio. Antes de cada verificação periódica, certifique-se de que para e desliga a máquina.

OBSERVAÇÃO: Utilizar o cortador de relva com o coletor de relva cheio impede a rotação suave da lâmina e sobrecarrega o motor, o que pode provocar avarias.

Cortar relva comprida

Não tente cortar relva comprida de uma só vez. Em vez disso, corte a relva por etapas. Deixe um dia ou dois de intervalo entre os cortes da relva, até que a relva fique curta uniformemente.

► Fig.35

NOTA: Cortar relva comprida para um comprimento curto de uma só vez pode causar a morte da relva. A relva cortada também pode bloquear o interior do corpo do cortador de relva.

NOTA: Se uma irregularidade em termos de comprimento da relva ou um mau acabamento forem detetados após o corte da relva, ou se uma diminuição da velocidade do motor for detetada durante o corte da relva, diminua a velocidade de corte da relva ou aumente a altura de corte da relva.

Esvaziar o coletor de relva

AVISO: Para reduzir o risco de acidentes, inspecione regularmente o coletor de relva para ver se não está danificado ou enfraquecido. Substitua o coletor de relva, se for necessário.

1. Solte a alavanca do interruptor e a alavanca de acionamento.
 2. Desligue a máquina.
 3. Abra a tampa traseira e retire o coletor de relva segurando pelo puxador.
- Fig.36: 1. Tampa traseira 2. Guiador 3. Coletor de relva
4. Esvazie o coletor de relva.

MANUTENÇÃO

AVISO: Certifique-se sempre de que todas as baterias estão retiradas da máquina antes de armazenar ou transportar ou tentar efetuar uma inspeção ou manutenção.

AVISO: Use luvas quando efetuar uma inspeção ou manutenção.

AVISO: Utilize sempre óculos de segurança ou de proteção com proteções laterais quando realizar a inspeção ou manutenção.

OBSERVAÇÃO: Nunca utilize gasolina, benzina, diluente, álcool ou produtos semelhantes. Pode ocorrer a descoloração, deformação ou rachaduras.

Para manter a SEGURANÇA e a FIABILIDADE do produto, as reparações e qualquer outra manutenção ou ajuste devem ser levados a cabo pelos centros de assistência Makita autorizados ou pelos centros de assistência de fábrica, utilizando sempre peças de substituição Makita.

Manutenção

1. Remova todas as baterias e, em seguida, feche a tampa da bateria.
2. Coloque o cortador de relva na sua lateral. Limpe os resíduos de relva acumulados na parte de baixo do chassis do cortador de relva.
3. Verta água na direção da parte inferior da máquina na qual a lâmina está presa.

OBSERVAÇÃO: Não lave a máquina com água a alta pressão.

4. Verifique se todas as porcas, parafusos, etc. estão bem apertados.
5. Inspeccione as peças móveis para ver se estão danificadas, partidas ou desgastadas. As peças danificadas ou em falta devem ser reparadas ou substituídas.
6. Armazene o cortador de relva num local seguro fora do alcance das crianças.

OBSERVAÇÃO: Não verta água na área apresentada na figura. Verter água na unidade do motor pode provocar o mau funcionamento da máquina.

► Fig.37: 1. Área em que a água não deve ser vertida

OBSERVAÇÃO: Não verta água na máquina enquanto a máquina estiver na posição vertical conforme ilustrado na figura. Se a máquina estiver na posição vertical, a água pode derramar sobre a unidade do motor e causar uma anomalia da máquina.

► Fig.38

Transportar o cortador de relva

PRECAUÇÃO: Antes de transportar o cortador de relva, certifique-se de que todas as baterias estão retiradas.

Quando transportar o cortador de relva, segure a pega traseira e a peça de fixação inferior na parte dianteira da máquina recorrendo a duas pessoas conforme ilustrado na figura.

► Fig.39: 1. Peça de fixação inferior 2. Pega traseira

Armazenamento

PRECAUÇÃO: Quando colocar a máquina na posição vertical, coloque a máquina numa superfície plana e estável. Se a máquina estiver colocada numa superfície instável, a máquina poderá tombar e causar ferimentos.

Guarde o cortador de relva num local interior, fresco e seco e que possa ser trancado. Não guarde o cortador de relva nem o carregador em locais onde a temperatura possa atingir ou exceder 40 °C.

1. Remova todas as baterias.
 2. Rode o botão a 90° enquanto puxa o botão no guiador inferior para libertar o pino de bloqueio. Efetue o mesmo procedimento no outro lado e, em seguida, dobre o guiador.
- Fig.40: 1. Botão

NOTA: Apoiar o guiador facilita a libertação do pino de bloqueio quando puxar o botão.

3. Rode o botão em ambos os lados a 90°. Certifique-se de que os botões estão firmemente fixados.
► **Fig.41:** 1. Botão

OBSERVAÇÃO: Quando dobrar o guiador, tenha cuidado para não apertar os cabos.

4. Solte as porcas recartilhadas em ambos os lados e, em seguida, dobre o guiador superior conforme ilustrado na figura.
► **Fig.42:** 1. Porca recartilhada 2. Guiador superior
5. Coloque a máquina na posição vertical.

NOTA: Quando colocar o cortador de relva na posição vertical, não segure apenas o guiador, mas sim o corpo do cortador de relva e o guiador.

6. Armazene o coletor de relva conforme ilustrado na figura.
► **Fig.43:** 1. Coletor de relva
► **Fig.44:** 1. Coletor de relva

Retirar ou instalar a lâmina do cortador de relva

AVISO: A lâmina continua a girar lentamente durante alguns segundos, depois de se libertar o interruptor. Não inicie qualquer operação até a lâmina estar completamente parada.

AVISO: Remova sempre todas as baterias quando remover ou instalar a lâmina. Se não remover todas as baterias, pode provocar ferimentos graves.

AVISO: Use sempre luvas para manusear a lâmina.

OBSERVAÇÃO: Quando remover ou instalar a lâmina do cortador de relva, utilize a chave de caixa incluída na embalagem da máquina.

Remover a lâmina do cortador de relva

1. Coloque o cortador de relva de lado de forma que a alavanca de ajuste da altura do corte fique na parte de cima.
2. Para bloquear a lâmina, insira o pino no orifício no corpo do cortador de relva até ao fim.
3. Rode o perno para a esquerda com a chave de caixa 17.
► **Fig.45:** 1. Lâmina do cortador de relva 2. Pino 3. Chave de caixa
4. Remova o perno e, em seguida, a lâmina do cortador de relva.
► **Fig.46:** 1. Suporte da lâmina 2. Lâmina do cortador de relva 3. Perno 4. Saliência

OBSERVAÇÃO: Quando instalar a lâmina do cortador de relva, certifique-se de que as saliências no suporte da lâmina encaixam nos orifícios na lâmina do cortador de relva.

Instalar a lâmina do cortador de relva

AVISO: Instale cuidadosamente a lâmina do cortador de relva. Ela tem uma superfície superior/inferior.

AVISO: Aperte o perno rodando com firmeza para a direita para prender a lâmina.

AVISO: Certifique-se de que a lâmina do cortador de relva e todas as peças de fixação estão instaladas corretamente e apertadas de forma segura.

AVISO: Quando substituir as lâminas, siga sempre as instruções fornecidas neste manual.

OBSERVAÇÃO: Após instalar as lâminas do cortador de relva, remova o pino da estrutura do cortador de relva.

OBSERVAÇÃO: Quando apertar o perno para instalar a lâmina do cortador de relva, aplique 19 - 29 N·m como binário de aperto (os valores são apenas para referência).

Para instalar as lâminas do cortador de relva, execute o procedimento de remoção pela ordem inversa.

RESOLUÇÃO DE PROBLEMAS

Antes de pedir uma reparação, realize primeiro a sua própria inspeção. Se encontrar um problema que não esteja explicado no manual, não tente desmontar a máquina. Em vez disso, peça as reparações nos centros de assistência técnica autorizados da Makita, usando sempre peças de substituição da Makita.

Estado da anomalia	Causa provável (avaria)	Correção
O cortador de relva não liga.	A bateria não está instalada.	Instale a bateria carregada.
	Problema com a bateria (tensão baixa)	Recarregue a bateria. Se recarregar a bateria não solucionar o problema, substitua a bateria.
O motor para de funcionar depois de pouco tempo de utilização.	O nível da carga da bateria está baixo.	Recarregue a bateria. Se recarregar a bateria não solucionar o problema, substitua a bateria.
	A altura do corte é muito baixa.	Aumente a altura de corte.
	A relva cortada está entupida no cortador de relva.	Remova a relva entupida do cortador de relva.
O motor não atinge as RPM máximas.	A bateria não está instalada corretamente.	Instale a bateria como descrito neste manual.
	A potência da bateria está a diminuir.	Recarregue a bateria. Se recarregar a bateria não solucionar o problema, substitua a bateria.
	O sistema de acionamento não funciona corretamente.	Solicite o conserto num centro de assistência técnica autorizado local.
A lâmina do cortador de relva não roda: ⇒ pare imediatamente o cortador de relva!	Um objeto estranho, como um ramo, está encravado perto da lâmina.	Remova o objeto estranho.
	O sistema de acionamento não funciona corretamente.	Solicite o conserto num centro de assistência técnica autorizado local.
Vibração anormal: ⇒ pare imediatamente o cortador de relva!	A lâmina está desequilibrada, desgastada excessivamente ou de maneira irregular.	Substitua a lâmina.

ACESSÓRIOS OPCIONAIS

⚠PRECAUÇÃO: Estes acessórios ou acoplamentos são recomendados para utilização com a sua máquina Makita especificada no presente manual. A utilização de quaisquer outros acessórios ou acoplamentos pode representar risco de lesão física. Utilize apenas acessórios ou acoplamentos para os respetivos fins previstos.

Se necessitar de informações adicionais relativas a estes acessórios, solicite-as ao seu centro de assistência Makita.

- Lâmina do cortador de relva
- Bateria e carregador genuínos da Makita

NOTA: Alguns itens na lista poderão estar incluídos na embalagem do produto como acessórios padrão. Podem diferir de país para país.

ΠΡΟΔΙΑΓΡΑΦΕΣ

Μοντέλο:	LM001G	LM002G
Πλάτος κουρέματος (διάμετρος λάμας)	480 mm	534 mm
Ταχύτητα χωρίς φορτίο	Κανονικός τρόπος λειτουργίας	3.200 min ⁻¹
	Ομαλός τρόπος λειτουργίας χωρίς φορτίο	2.500 - 3.200 min ⁻¹
	Τρόπος λειτουργίας μείωσης θορύβου	2.500 min ⁻¹
Αριθμός εξαρτήματος της ανταλλακτικής λάμας της μηχανής γκαζόν	Ίσια λάμα μηχανής γκαζόν	191V97-3
	Ίσια λάμα μηχανής γκαζόν *1	-
	Λάμα εδαφοκάλυψης	191Y64-6
Διαστάσεις (Μ x Π x Υ)	κατά τη λειτουργία	M: 1.670 mm έως 1.745 mm Π: 550 mm Υ: 965 mm έως 1.075 mm
	κατά την αποθήκευση (χωρίς καλάθι γρασιδιού)	585 mm x 550 mm x 900 mm
Ταχύτητα πορείας	1,5 - 5,0 km/h	
Ονομαστική τάση	D.C. 36 V - 40 V μέγ.	
Καθαρό βάρος	28,0 - 33,0 kg	29,3 - 34,5 kg
Βαθμός προστασίας	IPX4	

*1. Λάμα μηχανής γκαζόν για πιο αποδοτική συλλογή γρασιδιού.

- Λόγω του συνεχιζόμενου προγράμματος έρευνας και ανάπτυξης, οι προδιαγραφές αυτές υπόκεινται σε αλλαγές χωρίς προειδοποίηση.
- Τα τεχνικά χαρακτηριστικά μπορεί να διαφέρουν από χώρα σε χώρα.
- Το βάρος μπορεί να διαφέρει ανάλογα με τα προσαρτήματα, συμπεριλαμβάνοντας την κασέτα μπαταριών. Ο ελαφρύτερος και ο βαρύτερος συνδυασμός, σύμφωνα με τη διαδικασία EPTA 01/2014, παρουσιάζονται στον πίνακα.

Ισχύουσα κασέτα μπαταριών και φορτιστής

Κασέτα μπαταρίας	BL4020 / BL4025 / BL4040* / BL4040F* / BL4050F* / BL4080F* * : Συνιστώμενη μπαταρία
Φορτιστής	DC40RA / DC40RB / DC40RC / DC40WA

- Ορισμένες από τις κασέτες και τους φορτιστές μπαταριών που αναγράφονται παραπάνω ίσως να μην είναι διαθέσιμοι, ανάλογα με την τοποθεσία κατοικίας σας.

⚠ ΠΡΟΕΙΔΟΠΟΙΗΣΗ: Να χρησιμοποιείτε μόνο τις κασέτες μπαταριών και τους φορτιστές που παρατίθενται ανωτέρω. Η χρήση οποιασδήποτε άλλης κασέτας μπαταριών ή φορτιστή μπορεί να προκαλέσει τραυματισμό ή/και πυρκαγιά.

⚠ ΠΡΟΕΙΔΟΠΟΙΗΣΗ: Μην χρησιμοποιείτε ηλεκτρική παροχή με καλώδιο, όπως προσαρμογέα μπαταριών ή φορητή ηλεκτρική τροφοδότηση, με αυτό το μηχάνημα. Το καλώδιο τέτοιας ηλεκτρικής παροχής μπορεί να δυσκολεύει τη λειτουργία και να προκαλέσει τραυματισμό.

Σύμβολα

Παρακάτω παρουσιάζονται τα σύμβολα που μπορούν να χρησιμοποιηθούν για τον εξοπλισμό. Βεβαιωθείτε ότι κατανοείτε τη σημασία τους πριν από τη χρήση.



Απαιτούνται ιδιαίτερη φροντίδα και προσοχή.



Διαβάστε το εγχειρίδιο οδηγιών.



Κίνδυνος. Να προσέχετε για εκτοξευόμενα αντικείμενα.



Η απόσταση ανάμεσα στο εργαλείο και τους παρευρισκόμενους πρέπει να είναι τουλάχιστον 15 μέτρα.



Μη βάζετε ποτέ τα χέρια ή τα πόδια σας κοντά στη λάμα της μηχανής γκαζόν κάτω από τη μηχανή γκαζόν. Οι λάμες της μηχανής γκαζόν συνεχίζουν να περιστρέφονται μετά την απενεργοποίηση του μπετέρ.



Προειδοποίηση: Αποσυνδέστε την μπαταρία πριν τη συντήρηση.



Ηλεκτρικός κίνδυνος. Η επαφή με νερό μπορεί να προκαλέσει ηλεκτροπληξία.



Μην χύνετε νερό.



Ni-MH
Li-Ion

Μόνο για τις χώρες της ΕΕ
Λόγω της παρούσας των επικινδύνων συστατικών μερών στον εξοπλισμό, ο απόβλητος ηλεκτρικός και ηλεκτρονικός εξοπλισμός, οι συσσωρευτές και οι μπαταρίες μπορεί να έχουν αρνητική επίδραση στο περιβάλλον και την ανθρώπινη υγεία. Μην απορρίπτετε τις ηλεκτρικές και ηλεκτρονικές συσκευές ή μπαταρίες μαζί με τα οικιακά απορρίμματα!

Σύμφωνα με την Ευρωπαϊκή Οδηγία για τον απόβλητο ηλεκτρικό και ηλεκτρονικό εξοπλισμό και για τους συσσωρευτές και μπαταρίες και τους απόβλητους συσσωρευτές και μπαταρίες, καθώς και την προσαρμογή τους στην εθνική νομοθεσία, ο απόβλητος ηλεκτρικός εξοπλισμός, οι μπαταρίες και οι συσσωρευτές θα πρέπει να αποθηκεύονται ξεχωριστά και να παραδίδονται σε ξεχωριστό σημείο συλλογής για δημοτικά απόβλητα, το οποίο λειτουργεί σύμφωνα με τους κανονισμούς για την προστασία του περιβάλλοντος. Αυτό υποδεικνύεται από το σύμβολο του διαγραμμένου τροχοφόρου κάδου που βρίσκεται ανατρίμητο επάνω στον εξοπλισμό.



Εγγυημένη στάθμη ηχητικής ισχύος σύμφωνα με την Οδηγία της ΕΕ για την εκπομπή θορύβου σε εξωτερικούς χώρους.



Στάθμη ηχητικής ισχύος σύμφωνα με τον Κανονισμό ελέγχου θορύβου της Νέας Νότιας Ουαλίας της Αυστραλίας

Προοριζόμενη χρήση

Το μηχάνημα προορίζεται για το κούρεμα γκαζόν.

Θόρυβος

Το τυπικό Α επίπεδο καταμετρημένου θορύβου καθορίζεται σύμφωνα με το EN62841-4-3:

Μοντέλο LM001G

Μετρούμενη στάθμη ηχητικής ισχύος (L_{WA}): 91 dB (A)
Εγγυημένη στάθμη ηχητικής ισχύος (L_{WA}): 94 dB (A)
Στάθμη ηχητικής πίεσης (L_{pA}): 81 dB (A)
Αβεβαιότητα για στάθμη ηχητικής ισχύος (K): 3 dB (A)

Μοντέλο LM002G

Μετρούμενη στάθμη ηχητικής ισχύος (L_{WA}): 91 dB (A)
Εγγυημένη στάθμη ηχητικής ισχύος (L_{WA}): 94 dB (A)
Στάθμη ηχητικής πίεσης (L_{pA}): 81 dB (A)
Αβεβαιότητα για στάθμη ηχητικής ισχύος (K): 3 dB (A)

ΠΑΡΑΤΗΡΗΣΗ: Η δηλωμένη τιμή(ές) εκπομπής θορύβου έχει μετρηθεί σύμφωνα με την πρότυπη μέθοδο δοκιμής και μπορεί να χρησιμοποιηθεί για τη σύγκριση ενός εργαλείου με κάποιο άλλο.

ΠΑΡΑΤΗΡΗΣΗ: Η δηλωμένη τιμή(ές) εκπομπής θορύβου μπορεί να χρησιμοποιηθεί και στην προκαταρκτική αξιολόγηση της έκθεσης.

▲ΠΡΟΕΙΔΟΠΟΙΗΣΗ: Να φοράτε γυασπίδες.

▲ΠΡΟΕΙΔΟΠΟΙΗΣΗ: Η εκπομπή θορύβου κατά τη χρήση του ηλεκτρικού εργαλείου σε πραγματικές συνθήκες μπορεί να διαφέρει από τη δηλωμένη τιμή(ές) ανάλογα με τους τρόπους χρήσης του εργαλείου, ιδιαίτερα το είδος του τεμαχίου εργασίας που υπόκειται επεξεργασία.

▲ΠΡΟΕΙΔΟΠΟΙΗΣΗ: Φροντίστε να λάβετε τα κατάλληλα μέτρα προστασίας του χειριστή βάσει ενός υπολογισμού της έκθεσης σε πραγματικές συνθήκες χρήσης (λαμβάνοντας υπόψη όλες τις συνιστώσες του κύκλου λειτουργίας όπως τους χρόνους που το εργαλείο είναι εκτός λειτουργίας και όταν βρίσκεται σε αδρανή λειτουργία πέραν του χρόνου ενεργοποίησης).

Κραδασμός

Η ολική τιμή δόνησης (άθροισμα τρι-αξονικού διανύσματος) καθορίζεται σύμφωνα με το EN62841-4-3:

Μοντέλο LM001G

Εκπομπή δόνησης (a_h): 2,5 m/s² ή λιγότερο
Αβεβαιότητα (K): 1,5 m/s²

Μοντέλο LM002G

Εκπομπή δόνησης (a_h): 2,5 m/s² ή λιγότερο
Αβεβαιότητα (K): 1,5 m/s²

ΠΑΡΑΤΗΡΗΣΗ: Η δηλωμένη τιμή(ές) συνολικών κραδασμών έχει μετρηθεί σύμφωνα με την πρότυπη μέθοδο δοκιμής και μπορεί να χρησιμοποιηθεί για τη σύγκριση ενός εργαλείου με κάποιο άλλο.

ΠΑΡΑΤΗΡΗΣΗ: Η δηλωμένη τιμή(ές) συνολικών κραδασμών μπορεί να χρησιμοποιηθεί και στην προκαταρκτική αξιολόγηση της έκθεσης.

▲ΠΡΟΕΙΔΟΠΟΙΗΣΗ: Η εκπομπή κραδασμών κατά τη χρήση του ηλεκτρικού εργαλείου σε πραγματικές συνθήκες μπορεί να διαφέρει από τη δηλωμένη τιμή(ές) εκπομπής ανάλογα με τους τρόπους χρήσης του εργαλείου, ιδιαίτερα το είδος του τεμαχίου εργασίας που υπόκειται επεξεργασία.

▲ΠΡΟΕΙΔΟΠΟΙΗΣΗ: Φροντίστε να λάβετε τα κατάλληλα μέτρα προστασίας του χειριστή βάσει ενός υπολογισμού της έκθεσης σε πραγματικές συνθήκες χρήσης (λαμβάνοντας υπόψη όλες τις συνιστώσες του κύκλου λειτουργίας όπως τους χρόνους που το εργαλείο είναι εκτός λειτουργίας και όταν βρίσκεται σε αδρανή λειτουργία πέραν του χρόνου ενεργοποίησης).

Δήλωση Συμμόρφωσης

Μόνο για χώρες της Ευρώπης

Οι Δηλώσεις Συμμόρφωσης περιλαμβάνονται στο Παράρτημα Α στο παρόν εγχειρίδιο οδηγιών.

ΠΡΟΕΙΔΟΠΟΙΗΣΕΙΣ ΑΣΦΑΛΕΙΑΣ

Γενικές προειδοποιήσεις ασφαλείας για το ηλεκτρικό εργαλείο

▲ΠΡΟΕΙΔΟΠΟΙΗΣΗ Διαβάστε όλες τις προειδοποιήσεις ασφαλείας, οδηγίες, εικονογραφίες και προδιαγραφές που παρέχονται με αυτό το ηλεκτρικό εργαλείο. Η μη τήρηση όλων των οδηγιών που αναγράφονται κατωτέρω μπορεί να καταλήξει σε ηλεκτροπληξία, πυρκαγιά ή/και σοβαρό τραυματισμό.

Φυλάξτε όλες τις προειδοποιήσεις και τις οδηγίες για μελλοντική παραπομπή.

Στις προειδοποιήσεις, ο όρος «ηλεκτρικό εργαλείο» αναφέρεται σε ηλεκτρικό εργαλείο που τροφοδοτείται από την κύρια παροχή ηλεκτρικού ρεύματος (με ηλεκτρικό καλώδιο) ή σε ηλεκτρικό εργαλείο που τροφοδοτείται από μπαταρία (χωρίς ηλεκτρικό καλώδιο).

Προειδοποιήσεις ασφαλείας για τη μηχανή γκαζόν με μπαταρία

1. Μην χρησιμοποιείτε η μηχανή γκαζόν σε κακές καιρικές συνθήκες, ιδιαίτερα όταν υπάρχει κίνδυνος για εμφάνιση κεραυνών. Αυτό μειώνει τον κίνδυνο να χτυπηθείτε από κεραυνό.
2. Επιθεωρήστε πολύ καλά για ζώα την περιοχή όπου θα χρησιμοποιηθεί η μηχανή γκαζόν. Τα ζώα μπορεί να τραυματιστούν από τη μηχανή γκαζόν κατά τη διάρκεια της λειτουργίας.
3. Επιθεωρήστε πολύ καλά τη περιοχή όπου η μηχανή γκαζόν πρόκειται να χρησιμοποιηθεί και αφαιρέστε όλες τις πέτρες, ξύλα, σύρματα, κόκκαλα και άλλα ξένα αντικείμενα. Τα εκτοξευόμενα αντικείμενα μπορεί να προκαλέσουν προσωπικό τραυματισμό.
4. Πριν χρησιμοποιήσετε τη μηχανή γκαζόν, να ελέγχετε πάντα οπτικά ότι η λάμα και η διάταξη λαμών δεν είναι φθαρμένες ή κατεστραμμένες. Τα φθαρμένα ή κατεστραμμένα εξαρτήματα αυξάνουν τον κίνδυνο τραυματισμού.
5. Να ελέγχετε συχνά το συγκρατήρα γκαζόν για φθορά ή υποβάθμιση. Ένας φθαρμένος ή κατεστραμμένος συγκρατήρας γρασιδιού μπορεί να αυξήσει τον κίνδυνο προσωπικού τραυματισμού.
6. Διατηρείτε τα προστατευτικά στη θέση τους. Τα προστατευτικά πρέπει να βρίσκονται σε λειτουργική κατάσταση και να έχουν προσαρτηθεί σωστά. Ένα προστατευτικό που είναι χαλαρό, κατεστραμμένο ή δεν λειτουργεί σωστά μπορεί να έχει ως αποτέλεσμα προσωπικό τραυματισμό.
7. Να διατηρείτε καθαρές όλες τις εισόδους του αέρα ψύξης. Οι φραγμένοι εισοδοί αέρα και τα θραύσματα μπορεί να έχουν ως αποτέλεσμα την υπερθέρμανση ή τον κίνδυνο φωτιάς.

8. Κατά τη λειτουργία της μηχανής γκαζόν, να φοράτε πάντα αντιολισθητικά και προστατευτικά υποδήματα. Μην χειρίζεστε τη μηχανή γκαζόν ζυπόλυτοι ή με ανοικτά σαντάλια. Αυτό μειώνει την πιθανότητα τραυματισμού στα πόδια λόγω της επαφής με την κινούμενη λάμα.
9. Ενώ λειτουργείτε τη μηχανή γκαζόν, να φοράτε πάντα μακρύ παντελόνι. Το εκτεθειμένο δέρμα αυξάνει την πιθανότητα τραυματισμού από αντικείμενα που πετάγονται.
10. Μην λειτουργείτε τη μηχανή γκαζόν σε βρεγμένο γκαζόν. Να περπατάτε, να μην τρέχετε ποτέ. Έτσι μειώνεται ο κίνδυνος για ολίσθηση και πτώση, τα οποία μπορούν να έχουν ως αποτέλεσμα προσωπικό τραυματισμό.
11. Μη χειρίζεστε τη μηχανή γκαζόν σε υπερβολικά μεγάλες κλίσεις. Έτσι μειώνεται ο κίνδυνος για απώλεια ελέγχου, ολίσθηση και πτώση, τα οποία μπορούν να έχουν ως αποτέλεσμα προσωπικό τραυματισμό.
12. Όταν εργάζεστε υπό κλίση, να είστε πάντα σίγουροι για το πάτημά σας, να εργάζεστε πάντα κατά πλάτος της πρόσωσης της κλίσης, ποτέ προς τα πάνω ή κάτω, και να προσέχετε ιδιαίτερα όταν αλλάζετε κατεύθυνση. Έτσι μειώνεται ο κίνδυνος για απώλεια ελέγχου, ολίσθηση και πτώση, τα οποία μπορούν να έχουν ως αποτέλεσμα προσωπικό τραυματισμό.
13. Να είστε ιδιαίτερα προσεκτικοί όταν κινείστε προς τα πίσω ή τραβάτε τη μηχανή γκαζόν προς το μέρος σας. Να είσατε πάντα προσεκτικοί με τον περιβάλλοντα χώρο. Έτσι μειώνεται ο κίνδυνος να σκοντάψετε κατά τη διάρκεια της λειτουργίας.
14. Μην αγγίζετε τις λάμες και τα άλλα επικίνδυνα κινούμενα εξαρτήματα ενώ βρίσκονται ακόμη σε κίνηση. Έτσι μειώνεται ο κίνδυνος τραυματισμού από τα κινούμενα εξαρτήματα.
15. Όταν καθαρίζετε μπλοκαρισμένο υλικό ή καθαρίζετε τη μηχανή γκαζόν, να βεβαιώνετε ότι όλοι οι διακόπτες λειτουργίας είναι σβηστοί και η κασέτα μπαταριών έχει αποσυνδεθεί. Η απρόσμενη λειτουργία της μηχανής γκαζόν μπορεί να έχει ως αποτέλεσμα σοβαρό προσωπικό τραυματισμό.

ΦΥΛΑΞΤΕ ΤΙΣ ΟΔΗΓΙΕΣ ΑΥΤΕΣ.

▲ΠΡΟΕΙΔΟΠΟΙΗΣΗ: ΜΗΝ επιτρέψετε στην άνεση ή στην εξοικειώσή σας με το προϊόν (που αποκτήθηκε από επανειλημμένη χρήση) να αντικαταστήσει την αυστηρή τήρηση των κανόνων ασφαλείας του παρόντος εργαλείου.

Η ΛΑΝΘΑΣΜΕΝΗ ΧΡΗΣΗ ή η αμέλεια να ακολουθήσετε τους κανόνες ασφαλείας που διατυπώνονται στο παρόν εγχειρίδιο οδηγιών μπορεί να προκαλέσει σοβαρό προσωπικό τραυματισμό.

⚠ ΠΡΟΕΙΔΟΠΟΙΗΣΗ: Διαβάστε όλες τις προειδοποιήσεις για την ασφάλεια και όλες τις οδηγίες. Η μη τήρηση των προειδοποιήσεων και οδηγιών μπορεί να καταλήξει σε ηλεκτροπληξία, πυρκαγιά ή/και σοβαρό τραυματισμό.

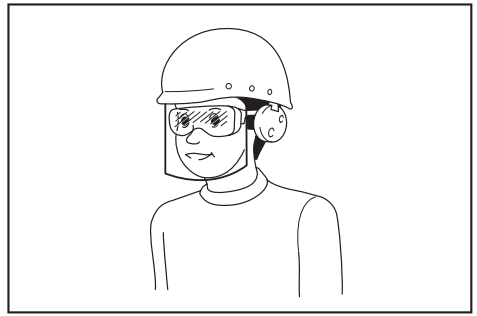
Φυλάξτε όλες τις προειδοποιήσεις και τις οδηγίες για μελλοντική παραπομπή.

Εκπαίδευση

1. Διαβάστε τις οδηγίες προσεκτικά. Εξοικειωθείτε με τα χειριστήρια και τη σωστή χρήση της μηχανής γκαζόν.
2. Μην αφήνετε ποτέ παιδιά ή άτομα που δεν γνωρίζουν αυτές τις οδηγίες να χρησιμοποιούν τη μηχανή γκαζόν. Μπορεί να υπάρχει περιορισμός ηλικίας για το χειριστή βάσει τοπικών κανονισμών.
3. Μη χειρίζεστε ποτέ τη μηχανή γκαζόν όταν άλλα άτομα, ειδικά παιδιά ή κατοικίδια, βρίσκονται σε κοντινή απόσταση.
4. Να θυμάστε ότι ο χειριστής ή ο χρήστης είναι υπεύθυνος για ατυχήματα ή κινδύνους που υφίστανται άλλα άτομα ή η ιδιοκτησία τους.
5. Τα παιδιά θα πρέπει να επιτηρούνται για να εξασφαλιστεί ότι δεν παίζουν με τη μηχανή γκαζόν.
6. Σωματική κατάσταση - Μη χειρίζεστε τη μηχανή γκαζόν υπό την επίδραση ναρκωτικών, αλκοόλ ή άλλων φαρμάκων.

Προετοιμασία

1. Κατά το χειρισμό της μηχανής γκαζόν να φοράτε πάντα κατάλληλα υποδήματα και μακρύ παντελόνι. Μη χειρίζεστε τη μηχανή γκαζόν ξυπόλυτοι ή με ανοικτά σαντάλια. Αποφεύγετε να φοράτε ρούχα ή κοσμήματα που είναι χαλαρά ή έχουν κορδόνια ή σκοινιά που κρέμονται. Μπορεί να πιαστούν στα κινούμενα μέρη.
2. Πριν τη χρήση, πάντα να επιθεωρείτε οπτικά τη μηχανή γκαζόν για προστατευτικά ή καλύμματα με ζημιά, που λείπουν ή έχουν τοποθετηθεί λανθασμένα.
3. Βεβαιωθείτε ότι στην περιοχή δεν υπάρχουν άλλα άτομα πριν ξεκινήσετε να κουρεύετε το γκαζόν. Σβήστε τη μηχανή γκαζόν αν εισέλθει κάποιος στην περιοχή.
4. Να φοράτε πάντα προστατευτικά γυαλιά για να προστατεύετε τα μάτια σας από τραυματισμό όταν χρησιμοποιείτε ηλεκτρικά εργαλεία. Τα προστατευτικά γυαλιά πρέπει να συμμορφώνονται με το πρότυπο ANSI Z87.1 στις ΗΠΑ, το πρότυπο EN 166 στην Ευρώπη ή το πρότυπο AS/NZS 1336 στην Αυστραλία/Νέα Ζηλανδία. Στην Αυστραλία/Νέα Ζηλανδία, απαιτείται από το νόμο να φοράτε και προσωπίδα για την προστασία του προσώπου σας.



- Ο εργοδότης έχει την ευθύνη να επιβάλλει τη χρήση κατάλληλου προστατευτικού εξοπλισμού ασφαλείας από τους χειριστές του εργαλείου και από άλλα άτομα που βρίσκονται στην άμεση περιοχή εργασίας.
5. Πριν από τη λειτουργία, να ελέγχετε προσεκτικά τις λάμες ή τα μπουλόνια λαμών για ραγίσματα ή ζημιά. Να αντικαθιστάτε αμέσως τις ραγισμένες ή κατεστραμμένες λάμες ή μπουλόνια λαμών.
 6. Απομακρύνετε ξένα υλικά όπως πέτρες, καλώδια, μπουκάλια, κόκαλα και μεγάλα ξύλα από την περιοχή εργασίας πριν από το κούρεμα του γκαζόν για τη την αποφυγή προσωπικού τραυματισμού ή πρόκλησης ζημιάς στη μηχανή γκαζόν.
 7. Τα αντικείμενα στα οποία έχει προσκρούσει η λάμα της μηχανής γκαζόν μπορεί να προκαλέσουν σοβαρό τραυματισμό σε ανθρώπους. Πρέπει να εξετάζετε προσεκτικά το γκαζόν και να απομακρύνετε όλα τα αντικείμενα που εμπόδιζαν πριν από το κάθε κούρεμα του γκαζόν.
 8. Προσέχετε για τρύπες, αυλάκια, εξογκώματα, πέτρες ή άλλα κρυφά αντικείμενα. Το ανομοιόμορφο έδαφος μπορεί να προκαλέσει ατύχημα ολίσθησης και πτώσης. Το ψηλό γρασίδι μπορεί να κρύβει εμπόδια.
 9. Να χρησιμοποιείτε ατομικό εξοπλισμό προστασίας. Να φοράτε πάντα προστασία ματιών. Εάν χρησιμοποιείτε το σωστό προστατευτικό εξοπλισμό, όπως προσωπίδα κατά της σκόνης, αντιοιολισθητικά παπούτσια ασφαλείας, κράνος ή προστατευτικό ακοής, ανάλογα με τις συνθήκες, θα μειωθεί ο κίνδυνος πρόκλησης προσωπικών τραυματισμών.

Λειτουργία

1. Μην τεντώνεστε υπερβολικά. Να στέκεστε πάντοτε ισορροπημένα. Να είστε πάντα βέβαιοι ότι έχετε καλό πάτημα σε πλαγιές. Να περπατάτε, να μην τρέχετε ποτέ.
2. Σταματήστε τη μηχανή γκαζόν και σβήστε το μηχανήμα, και βεβαιωθείτε ότι όλα τα κινούμενα μέρη έχουν ακινητοποιηθεί πλήρως:
 - κάθε φορά που απομακρύνετε από τη μηχανή γκαζόν,
 - πριν καθαρίσετε εμπόδια ή ξεφράξετε τη χοάνη,
 - πριν ελέγξετε ή καθαρίσετε τη μηχανή γκαζόν ή πριν εκτελέσετε εργασίες σε αυτή,
 - μετά από την πρόσκρουση σε ξένο αντικείμενο. Επιθεωρήστε τη μηχανή γκαζόν για την ύπαρξη ζημιάς και πραγματοποιήστε τις επιδιορθώσεις πριν την επανεκκίνηση και τη χρήση της,
 - όποτε η μηχανή γκαζόν αρχίσει να δονείται μη φυσιολογικά.

3. Μην χειρίζεστε ποτέ τη μηχανή γκαζόν με ελαττωματικά προστατευτικά ή καλύμματα ή χωρίς τις διατάξεις ασφάλειας, για παράδειγμα, διατάξεις παρεκτροπής ή/και καλάθι γρασιδιού, στη θέση τους.
4. Αποφύγετε τη χρήση της μηχανής γκαζόν σε άσχημες καιρικές συνθήκες, ειδικά όταν υπάρχει κίνδυνος κεραυνών.
5. Να φοράτε πάντα προστατευτικά ματιών και ανθεκτικά παπούτσια όταν χειρίζεστε τη μηχανή γκαζόν.
6. Να χειρίζεστε τη μηχανή γκαζόν μόνο όταν έχει ακόμα φως έξω ή με καλό τεχνητό φωτισμό.
7. Ενεργοποιήστε προσεκτικά τη μηχανή γκαζόν σύμφωνα με τις οδηγίες και με τα πόδια σας μακριά από τις λάμες.
8. Να προσέχετε ώστε να μην τραυματίσετε τα πόδια και τα χέρια σας από τις λάμες της μηχανής γκαζόν.
9. Να βεβαιώνεστε πάντα ότι οι οπές εξαερισμού είναι καθαρές.
10. Να κινήστε κατά πλάτος της πρόσωσης της πλαιγιάς, ποτέ προς τα επάνω ή κάτω. Να είστε ιδιαίτερα προσεκτικοί όταν αλλάζετε κατεύθυνση σε πλαιγιάς. Μην κουρεύετε το γκαζόν σε εξαιρετικά απότομες πλαιγιάς.
11. Να είστε ιδιαίτερα προσεκτικοί όταν κινείστε προς τα πίσω ή τραβάτε τη μηχανή γκαζόν προς το μέρος σας.
12. Οι λάμες πρέπει να είναι ακινητοποιημένες όταν πρέπει να γείρετε τη μηχανή γκαζόν για μεταφορά κατά τη διέλευση επιφανειών εκτός από το γκαζόν και κατά τη μεταφορά της μηχανής γκαζόν από και προς την περιοχή όπου θα χρησιμοποιηθεί.
13. Μην γέρνετε τη μηχανή γκαζόν όταν ενεργοποιείτε το μοτέρ, εκτός αν πρέπει να γέρνετε τη μηχανή γκαζόν για την έναρξη. Σε αυτή την περίπτωση, μην τη γέρνετε περισσότερο από όσο είναι απολύτως απαραίτητο και να σηκώνετε μόνο το τμήμα που βρίσκεται μακριά από το χειριστή. Να εξασφαλίζετε πάντα ότι και τα δύο χέρια βρίσκονται στη λειτουργική θέση πριν επιστρέψετε τη μηχανή γκαζόν στο έδαφος.
14. Μην βάζετε τα χέρια ή τα πόδια σας κοντά ή κάτω από περιστρεφόμενα μέρη. Μειντε μακριά από το άνοιγμα εκκένωσης κάθε στιγμή.
15. Μην μεταφέρετε τη μηχανή γκαζόν ενώ είναι ενεργοποιημένη.
16. Αποφεύγετε το χειρισμό της μηχανής γκαζόν σε βρεγμένο γκαζόν.
17. Να κρατάτε πάντα τη λαβή σταθερά.
18. Μην πιάνετε τις εκτεθειμένες λάμες κοπής ή τα κοπτικά άκρα όταν σηκώνετε ή κρατάτε τη μηχανή γκαζόν.
19. Διατηρείτε τα χέρια και τα πόδια σας μακριά από τις περιστρεφόμενες λάμες. Προσοχή - Οι λάμες συνεχίζουν να περιστρέφονται μετά την απενεργοποίηση της μηχανής γκαζόν.
20. Διακόψτε αμέσως τη λειτουργία αν παρατηρήσετε οτιδήποτε ασυνήθιστο. Απενεργοποιήστε τη μηχανή γκαζόν. Στη συνέχεια, επιθεωρήστε τη μηχανή γκαζόν.
21. Μην επιχειρήσετε ποτέ να κάνετε ρυθμίσεις του ύψους κοπής ενώ η μηχανή γκαζόν βρίσκεται σε λειτουργία, στην περίπτωση που η μηχανή γκαζόν διαθέτει δυνατότητα ρύθμισης ύψους κοπής.
22. Αφήστε τον μοχλό διακόπτη και περιμένετε μέχρι να σταματήσει η περιστροφή της λάμας πριν διασχίσετε ιδιωτικούς δρόμους, πεζοδρόμια, δρόμους και οποιαδήποτε περιοχή που είναι καλυμμένη με χαλίκια. Επίσης σβήστε το μηχανήμα αν απομακρυνθείτε από τη μηχανή γκαζόν, αν σκύψετε για να πιάσετε ή να απομακρύνετε κάτι από μπροστά σας ή για οποιονδήποτε άλλο λόγο που μπορεί να αποσπάσει την προσοχή σας από αυτό που κάνετε.
23. Αν η μηχανή γκαζόν χτυπήσει σε ένα ξένο αντικείμενο, ακολουθήστε τα εξής βήματα:
 - Σβήστε τη μηχανή γκαζόν, αφήστε το μοχλό διακόπτη και περιμένετε μέχρι να σταματήσει πλήρως να περιστρέφεται η λάμα.
 - Αφαιρέστε την κασέτα μπαταριών.
 - Επιθεωρήστε καλά τη μηχανή γκαζόν για τυχόν ζημιά.
 - Αντικαταστήστε τη λάμα αν έχει υποστεί ζημιά με οποιονδήποτε τρόπο. Επισκευάστε κάθε ζημιά πριν την επανέναρξη και συνεχίστε να χρησιμοποιείτε τη μηχανή γκαζόν.
24. Μην ενεργοποιείτε τη μηχανή γκαζόν όταν στέκεστε μπροστά από το άνοιγμα εκκένωσης.
25. Αν η μηχανή γκαζόν αρχίσει να δονείται με ασυνήθιστο τρόπο (ελέγξτε αμέσως)
 - επιθεωρήστε για ζημιά,
 - αντικαταστήστε ή επισκευάστε τα κατεστραμμένα μέρη,
 - ελέγξτε για χαλαρά μέρη και σφίξτε τα ανάλογα.
26. Μην κατευθύνετε ποτέ το υλικό εκκένωσης προς κανένα άτομο. Αποφύγετε την εκκένωση υλικού επάνω σε τοίχο ή εμπόδιο. Το υλικό μπορεί να αναπηδήσει προς τον χειριστή. Σταματήστε τη λάμα όταν περνάτε επιφάνειες με χαλίκι.
27. Μην τραβήξετε τη μηχανή γκαζόν προς τα πίσω εκτός αν είναι απολύτως απαραίτητο. Όταν είστε αναγκασμένοι να μετακινήσετε τη μηχανή γκαζόν προς τα πίσω από φράχτη ή άλλο παρόμοιο εμπόδιο, κοιτάξτε κάτω και προς τα πίσω πριν μετακινήσετε προς τα πίσω αλλά και ενώ μετακινείστε προς τα πίσω.
28. Σβήστε το μοτέρ και περιμένετε να σταματήσει να κινείται εντελώς η λάμα πριν βγάλετε τον συγκρατήρα χορταριού. Προσέχετε επειδή οι λάμες περιστρέφεται ελεύθερα μετά το σβήσιμο.
29. Όταν χρησιμοποιείτε το μηχανήμα σε λασπώδη έδαφος, βρεγμένες κλίσεις ή ολισθηρό μέρος, να προσέχετε το πάτημά σας.
30. Μην βυθίζετε το μηχανήμα σε λακούβα.
31. Προσέξτε τους σωλήνες και τα καλώδια κατά το χειρισμό του μηχανήματος.

Συντήρηση και αποθήκευση

1. Αντικαταστήστε τα φθαρμένα ή κατεστραμμένα μέρη για ασφάλεια. Να χρησιμοποιείτε μόνο γνήσια ανταλλακτικά εξαρτήματα και αξεσουάρ.

2. Επιθεωρήστε και συντηρήστε τη μηχανή γκαζόν τακτικά.
3. Όταν δεν χρησιμοποιείται, αποθηκεύστε τη μηχανή γκαζόν μακριά από παιδιά.
4. Διατηρείτε σφικτά όλα τα παξιμάδια, τα μπουλόνια και τις βίδες για να βεβαιωθείτε ότι ο εξοπλισμός βρίσκεται σε ασφαλή λειτουργική κατάσταση.
5. Να ελέγχετε συχνά το καλάθι γρασιδιού για φθορά ή υποβάθμιση. Κατά την αποθήκευση, να φροντίζετε πάντα ώστε το καλάθι γρασιδιού να είναι άδειο. Να αντικαθιστάτε ένα φθαρμένο καλάθι γρασιδιού με ένα καινούργιο εργοστασιακό ανταλλακτικό, για λόγους ασφαλείας.
6. Να χρησιμοποιείτε μόνο γνήσιες λάμες του κατασκευαστή που καθορίζονται σε αυτό το εγχειρίδιο.
7. Προσέχετε κατά τη διάρκεια ρυθμίσεων στη μηχανή γκαζόν για την αποφυγή παγίδευσης δακτύλων μεταξύ των κινούμενων λαμών και των σταθερών μερών της μηχανής γκαζόν.
8. Ελέγξτε σε τακτικά διαστήματα αν το μπουλόνι στερέωσης λάμας είναι καλά σφηνωμένο.
9. Να αφήνετε πάντα τη μηχανή γκαζόν να κρυώσει πριν την αποθήκευση.
10. Κατά την εκτέλεση εργασιών σέρβις στις λάμες, να γνωρίζετε ότι οι λάμες μπορεί να συνεχίζουν να κινούνται παρότι η τροφοδοσία απενεργοποιήθηκε.
11. Ποτέ μην αφαιρείτε ή παραβιάζετε τις συσκευές ασφαλείας. Να ελέγχετε τακτικά τη σωστή λειτουργία τους. Μην κάνετε ποτέ τίποτα για να παρεμβείτε με την προοριζόμενη λειτουργία μιας συσκευής ασφαλείας ή να μειώσετε την προστασία που παρέχεται από μια συσκευή ασφαλείας.
12. Μην αφήνετε το μηχάνημα χωρίς επιτήρηση σε εξωτερικούς χώρους στη βροχή.
13. Όταν αποθηκεύετε το μηχάνημα, να αποφεύγετε την άμεση ηλιοβολή και τη βροχή, και να το αποθηκεύσετε σε ένα μέρος όπου δεν υπάρχει πολύ ζέση και υγρασία.

Χρήση και φροντίδα μπαταριών

1. Να επαναφορτίζετε τις μπαταρίες μόνο με το φορτιστή που καθορίζεται από τον κατασκευαστή. Ένας φορτιστής που είναι κατάλληλος για μια συγκεκριμένη μπαταρία μπορεί να δημιουργήσει κίνδυνο πυρκαγιάς όταν χρησιμοποιείται με μια άλλη μπαταρία.
2. Να χρησιμοποιείτε ηλεκτρικά εργαλεία μόνο με ειδικά καθορισμένες μπαταρίες. Η χρήση κάθε άλλης μπαταρίας μπορεί να δημιουργήσει κίνδυνο τραυματισμού ή πυρκαγιάς.
3. Όταν δεν χρησιμοποιείται η κασέτα μπαταριών, διατηρήστε τη μακριά από άλλα μεταλλικά αντικείμενα, όπως συνδετήρες, κέρματα, κλειδιά, καρφιά, βίδες ή άλλα μικρά μεταλλικά αντικείμενα, με τα οποία μπορεί να δημιουργηθεί σύνδεση από τον έναν ακροδέκτη στον άλλον. Το βραχυκύκλωμα των ακροδεκτών της μπαταρίας μπορεί να προκαλέσει εγκαύματα ή πυρκαγιά.
4. Υπό συνθήκες κατάχρησης, μπορεί να εξαχθεί υγρό από την μπαταρία. Να αποφεύγετε την επαφή. Εάν συμβεί επαφή κατά λάθος, εκπλύνετε με νερό. Εάν το υγρό έρθει σε επαφή με τα μάτια, αναζητήστε και ιατρική βοήθεια. Το υγρό που εξάγεται από την μπαταρία μπορεί να προκαλέσει ερεθισμό ή εγκαύματα.
5. Μην χρησιμοποιείτε μια κασέτα μπαταριών ή εργαλείο που έχει καταστραφεί ή τροποποιηθεί. Οι κατεστραμμένες ή τροποποιημένες μπαταρίες μπορεί να παρουσιάζουν απρόβλεπτη συμπεριφορά που έχει ως αποτέλεσμα πυρκαγιά, έκρηξη ή κίνδυνο τραυματισμού.
6. Μην εκθέτετε την κασέτα μπαταριών ή το εργαλείο σε πυρκαγιά ή υπερβολικά υψηλή θερμοκρασία. Η έκθεση στην πυρκαγιά ή στη θερμοκρασία άνω των 130 °C μπορεί να προκαλέσει έκρηξη.
7. Ακολουθήστε όλες τις οδηγίες φόρτισης και μην φορτίσετε την κασέτα μπαταριών ή το εργαλείο εκτός του θερμοκρασιακού εύρους που καθορίζεται στις οδηγίες. Η λανθασμένη φόρτιση ή η φόρτιση σε θερμοκρασίες εκτός του καθορισμένου εύρους μπορεί να προκαλέσει ζημιά στην μπαταρία και να αυξήσει τον κίνδυνο πυρκαγιάς.

Ηλεκτρική ασφάλεια και ασφάλεια μπαταρίας

1. Μην απορρίπτετε την μπαταρία(ίες) στη φωτιά. Το καί μπορεί να εκραγεί. Συμβουλευτείτε τους τοπικούς κώδικες για πιθανές ειδικές οδηγίες απόρριψης.
2. Μην απορρίπτετε και μην καταστρέψετε την μπαταρία(ίες). Ο ηλεκτρολύτης που εκλύεται είναι διαβρωτικός και μπορεί να προκαλέσει ζημιά στα μάτια ή στο δέρμα. Σε περίπτωση κατάποσης, μπορεί να είναι τοξικό.
3. Μην φορτίζετε την μπαταρία στη βροχή, αλλά ούτε σε υγρές τοποθεσίες.
4. Μην φορτίζετε τη μπαταρία σε εξωτερικό χώρο.
5. Μην χειρίζεστε τον φορτιστή, συμπεριλαμβανομένου του φινι φορτιστή, και τους ακροδέκτες φορτιστή με βρεγμένα χέρια.
6. Μην αλλάζετε την μπαταρία στη βροχή.
7. Μην βρέχετε τον πόλο της μπαταρίας με υγρό, όπως το νερό, και μη βυθίζετε την μπαταρία σε υγρό. Μην αφήνετε την μπαταρία στη βροχή, και μην φορτίζετε, χρησιμοποιείτε ή αποθηκεύετε την μπαταρία σε υγρό ή βρεγμένο μέρος. Αν ο πόλος βρεχτεί ή εισέλθει υγρό στο εσωτερικό της μπαταρίας, η μπαταρία μπορεί να βραχυκυκλώσει και να υπάρχει κίνδυνος υπερθέρμανσης, πυρκαγιάς ή έκρηξης.
8. Αφού αφαιρέσετε την μπαταρία από το μηχάνημα ή τον φορτιστή, φροντίστε να συνδέσετε το κάλυμμα μπαταριών στην μπαταρία και να την αποθηκεύσετε σε στεγνό μέρος.
9. Μην αλλάζετε την μπαταρία με βρεγμένα χέρια.
10. Να αποφεύγετε τα επικίνδυνα περιβάλλοντα. Μην χρησιμοποιείτε το μηχάνημα σε υγραμένο ή υγρό χώρο ούτε να το εκθέτετε στη βροχή. Η είσοδος νερού στο μηχάνημα μπορεί να αυξήσει τον κίνδυνο πρόκλησης ηλεκτροπληξίας.

11. Αν η κασέτα μπαταριών βραχεί, αποστραγγίστε το νερό από το εσωτερικό και μετά σκουπίστε την με ένα στεγνό πανί. Στεγνώστε την κασέτα μπαταριών εντελώς σε ένα στεγνό μέρος πριν τη χρησιμοποιήσετε.

Σέρβις

1. Να φροντίζετε το σέρβις του ηλεκτρικού εργαλείου σας να γίνεται από αρμόδιο επαγγελματία χρησιμοποιώντας μόνο γνήσια ανταλλακτικά. Έτσι θα είστε σίγουροι για τη διατήρηση της ασφάλειας του ηλεκτρικού εργαλείου.
2. Μην εκτελείτε ποτέ εργασίες σέρβις σε κατεστραμμένες κασέτες μπαταριών. Οι εργασίες σέρβις των κασετών μπαταριών θα πρέπει να εκτελούνται μόνο από τον κατασκευαστή ή από εξουσιοδοτημένους παρόχους σέρβις.

ΦΥΛΑΞΤΕ ΤΙΣ ΟΔΗΓΙΕΣ ΑΥΤΕΣ.

⚠️ ΠΡΟΕΙΔΟΠΟΙΗΣΗ: ΜΗΝ επιτρέψετε στην άνεση ή στην εξοικειωσή σας με το προϊόν (που αποκτήθηκε από επανειλημμένη χρήση) να αντικαταστήσει την αυστηρή τήρηση των κανόνων ασφαλείας του παρόντος εργαλείου.

Η ΛΑΝΘΑΣΜΕΝΗ ΧΡΗΣΗ ή η αμέλεια να ακολουθήσετε τους κανόνες ασφαλείας που διατυπώνονται στο παρόν εγχειρίδιο οδηγιών μπορεί να προκαλέσει σοβαρό προσωπικό τραυματισμό.

Σημαντικές οδηγίες ασφαλείας για κασέτα μπαταριών

1. Πριν χρησιμοποιήσετε την κασέτα μπαταριών, διαβάστε όλες τις οδηγίες και σημειώσεις προφύλαξης (1) στον φορτιστή μπαταριών, (2) στην μπαταρία και (3) στο προϊόν που χρησιμοποιεί την μπαταρία.
2. Μην αποσυναρμολογήσετε ή παραβιάσετε την κασέτα μπαταριών. Μπορεί να έχει ως αποτέλεσμα πυρκαγιά, υπερθέρμανση ή έκρηξη.
3. Εάν ο χρόνος λειτουργίας έχει γίνει υπερβολικά βραχύς, σταματήστε τη λειτουργία αμέσως. Αλλιώς, μπορεί να έχει ως αποτέλεσμα κίνδυνο υπερθέρμανσης, πιθανά εγκαύματα ή ακόμη και έκρηξη.
4. Εάν ηλεκτρολύτης μπει στα μάτια σας, ξεπλύνετε τα με καθαρό νερό και ζητήστε ιατρική φροντίδα αμέσως. Αλλιώς, μπορεί να έχει ως αποτέλεσμα απώλεια της όρασης σας.
5. Μην βραχυκυκλώνετε την κασέτα μπαταριών:
 - (1) Μην αγγίζετε τους πόλους με οτιδήποτε αγωγίμο υλικό.
 - (2) Αποφεύγετε να αποθηκεύετε την κασέτα μπαταριών μέσα σε ένα δοχείο μαζί με άλλα μεταλλικά αντικείμενα όπως καρφιά, νομίσματα, κλπ.
 - (3) Μην εκθέτετε την κασέτα μπαταριών στο νερό ή στη βροχή.Ένα βραχυκύκλωμα μπαταρίας μπορεί να προκαλέσει μεγάλη ροή ρεύματος, υπερθέρμανση, πιθανά εγκαύματα ακόμη και σοβαρή βλάβη.
6. Μην αποθηκεύετε και μην χρησιμοποιείτε το εργαλείο και την κασέτα μπαταριών σε τοποθεσίες όπου η θερμοκρασία μπορεί να φτάσει ή να ξεπεράσει τους 50 °C.

7. Μην καίτε την κασέτα μπαταριών ακόμη και εάν έχει σοβαρή ζημιά ή είναι εντελώς φθαρμένη. Η κασέτα μπαταριών μπορεί να εκραγεί στη φωτιά.
8. Μην καρφώσετε, κόψετε, συνθλίψετε, πετάξετε ή ρίξετε κάτω την κασέτα μπαταριών, ούτε να χτυπήσετε ένα σκληρό αντικείμενο επάνω στην κασέτα μπαταριών. Τέτοια συμπεριφορά μπορεί να έχει ως αποτέλεσμα πυρκαγιά, υπερθέρμανση ή έκρηξη.
9. Μην χρησιμοποιείτε μπαταρία που έχει υποστεί ζημιά.
10. Οι μπαταρίες ιόντων λιθίου που περιέχονται υπόκεινται στις απαιτήσεις της νομοθεσίας για επικίνδυνα αγαθά. Για εμπορικές μεταφορές, για παράδειγμα από τρίτα μέρη, πρέπει να τηρούνται οι διαμεταφορές, οι ειδικές απαιτήσεις στη συσκευασία και η επισήμανση. Για προετοιμασία του στοιχείου που αποστέλλεται, είναι απαραίτητο να συμβουλευτείτε έναν ειδικό για επικίνδυνα υλικά. Επίσης, τηρήστε τους πιθανούς, πιο αναλυτικούς εθνικούς κανονισμούς. Καλύψτε με αυτοκόλλητη ταινία ή κρύψτε τις ανοικτές επαφές και συσκευάστε την μπαταρία με τρόπο που να μην μπορεί να μετακινείται μέσα στη συσκευασία.
11. Όταν απορρίψετε την κασέτα μπαταριών, αφαιρέστε την από το εργαλείο και διαθέστε την σε ένα ασφαλές μέρος. Τηρήστε τους τοπικούς κανονισμούς που σχετίζονται με τη διάθεση της μπαταρίας.
12. Χρησιμοποιήστε τις μπαταρίες μόνο με τα προϊόντα που καθορίζει η Makita. Αν τοποθετήσετε τις μπαταρίες σε μη συμβατά προϊόντα μπορεί να έχει ως αποτέλεσμα πυρκαγιά, υπερβολική θερμότητα, έκρηξη ή διαρροή ηλεκτρολύτη.
13. Αν δεν χρησιμοποιείτε το εργαλείο για μεγάλο χρονικό διάστημα, πρέπει να βγάλετε την μπαταρία από το εργαλείο.
14. Κατά τη διάρκεια και μετά τη χρήση, η κασέτα μπαταριών μπορεί να θερμανθεί, γεγονός που μπορεί να προκαλέσει εγκαύματα ή εγκαύματα από χαμηλή θερμοκρασία. Προσέχετε το χειρισμό των ζεστών κασετών μπαταριών.
15. Μην αγγίζετε τον ακροδέκτη του εργαλείου αμέσως μετά τη χρήση επειδή μπορεί να έχει ελαφρώς ζεσταθεί αρκετά για να προκαλέσει εγκαύματα.
16. Μην αφήνετε θραύσματα, σκόνη ή βρομιά να κολλήσει στους ακροδέκτες, τις οπές και τις εγκοπές της κασέτας μπαταριών. Μπορεί να προκαλέσει θέρμανση, φωτιά, έκρηξη και δυσλειτουργία του εργαλείου ή της κασέτας μπαταριών, έχοντας ως αποτέλεσμα εγκαύματα ή προσωπικό τραυματισμό.
17. Εκτός αν το εργαλείο υποστηρίζει τη χρήση κοντά σε ηλεκτρικές γραμμές υψηλής τάσης, μην χρησιμοποιείτε την κασέτα μπαταριών κοντά σε ηλεκτρικές γραμμές υψηλής τάσης. Μπορεί να έχει ως αποτέλεσμα δυσλειτουργία ή στάσιμο του εργαλείου ή της κασέτας μπαταριών.
18. ΚρΦυλάξτε την μπαταρία μακριά από παιδιά.

ΦΥΛΑΞΤΕ ΤΙΣ ΟΔΗΓΙΕΣ ΑΥΤΕΣ.

⚠ ΠΡΟΣΟΧΗ: Να χρησιμοποιείτε μόνο γνήσιες μπαταρίες της Makita. Η χρήση μη γνήσιων μπαταριών Makita, ή μπαταριών που έχουν τροποποιηθεί, μπορεί να έχει ως αποτέλεσμα τη ρήξη της μπαταρίας, προκαλώντας πυρκαγιά, προσωπικό τραυματισμό και βλάβη. Επίσης, θα ακυρωθεί η εγγύηση της Makita για το εργαλείο και φορτιστή Makita.

Συμβουλές για τη διατήρηση της μέγιστης ζωής μπαταρίας

1. Φορτίζετε την κασέτα μπαταριών πριν από την πλήρη αποφόρτιση της. Πάντοτε να σταματάτε τη λειτουργία του εργαλείου και να φορτίζετε την κασέτα μπαταριών όταν παρατηρείτε μειωμένη ισχύ εργαλείου.
2. Ποτέ μην επαναφορτίζετε μια πλήρως φορτισμένη κασέτα μπαταριών. Η υπερφόρτιση μειώνει την ωφέλιμη ζωή της μπαταρίας.
3. Να φορτίζετε την κασέτα μπαταριών σε θερμοκρασία δωματίου, δηλαδή στους 10 °C έως 40 °C. Αφήστε μια θερμή κασέτα μπαταριών να κρυώσει πριν την φορτίσετε.
4. Όταν δεν χρησιμοποιείτε την κασέτα μπαταριών, αφαιρέστε την από το εργαλείο ή τον φορτιστή.
5. Να φορτίζετε την κασέτα μπαταριών εάν δεν τη χρησιμοποιείτε για μεγάλη χρονική περίοδο (περισσότερο από έξι μήνες).

ΣΥΝΑΡΜΟΛΟΓΗΣΗ

⚠ ΠΡΟΕΙΔΟΠΟΙΗΣΗ: Να βεβαιώνετε πάντα ότι έχετε βγάλει όλες τις κασέτες μπαταριών πριν πραγματοποιείτε οποιαδήποτε εργασία στο μηχάνημα. Αν δεν βγάλετε όλες τις κασέτες μπαταριών, μπορεί να έχει ως αποτέλεσμα σοβαρό προσωπικό τραυματισμό από τυχαία εκκίνηση.

⚠ ΠΡΟΕΙΔΟΠΟΙΗΣΗ: Μη βάζετε ποτέ μπροστά τη μηχανή γκαζόν αν δεν είναι πλήρως συναρμολογημένη. Η λειτουργία του μηχανήματος σε μερικούς συναρμολογημένη κατάσταση μπορεί να έχει ως αποτέλεσμα σοβαρό προσωπικό τραυματισμό από τυχαία έναρξη.

Τοποθέτηση της λαβής

ΕΙΔΟΠΟΙΗΣΗ: Όταν τοποθετείτε τις λαβές, προσέχετε να μην πιαστεί το καλώδιο μεταξύ των λαβών. Αν το καλώδιο είναι κατεστραμμένο, ο διακόπτης της μηχανής γκαζόν μπορεί να μη λειτουργεί.

1. Ευθυγραμμίστε την οπή στην κάτω λαβή με την οπή στην άνω λαβή, μετά εισαγάγετε το μπουλόνι από την εξωτερική πλευρά και μετά σφίξτε το παξιμάδι αντίχειρα από την εσωτερική πλευρά. Εκτελέστε την ίδια διαδικασία στην άλλη πλευρά.
- ▶ **Εικ.1:** 1. Μπουλόνι 2. Παξιμάδι αντίχειρα 3. Κάτω λαβή 4. Άνω λαβή

2. Γυρίστε το κομβίο 90° ενώ τραβάτε το κομβίο στην κάτω λαβή για να απελευθερώσετε τον πείρο ασφάλισης. Εκτελέστε την ίδια διαδικασία στην άλλη πλευρά. Σηκώστε τη λαβή και, στη συνέχεια, γυρίστε το κομβίο και στις δύο πλευρές κατά 90°. Βεβαιωθείτε ότι τα κομβία είναι στερεωμένα με ασφάλεια.
- ▶ **Εικ.2:** 1. Κομβίο

ΠΑΡΑΤΗΡΗΣΗ: Αν στηρίζετε τη λαβή, διευκολύνεται η απελευθέρωση του πείρου ασφάλισης όταν τραβάτε το κομβίο.

ΠΑΡΑΤΗΡΗΣΗ: Όταν γυρίζετε το κομβίο, προσέχετε να μην πιαστεί το καλώδιο στο κομβίο.

- ▶ **Εικ.3:** 1. Κομβίο

Αφαίρεση του προσαρτήματος εδαφοκάλυψης

1. Ανοίξτε το πίσω κάλυμμα.
- ▶ **Εικ.4:** 1. Πίσω κάλυμμα
2. Ανασηκώστε λίγο το προσαρτήμα εδαφοκάλυψης και, στη συνέχεια, αφαιρέστε το.
- ▶ **Εικ.5:** 1. Προσαρτήμα εδαφοκάλυψης

Συναρμολόγηση του καλαθιού γρασιδιού

1. Σηκώστε το άνω κλιπ του καλαθιού γρασιδιού.
- ▶ **Εικ.6:** 1. Άνω κλιπ
2. Εισαγάγετε τον σκελετό στο καλάθι γρασιδιού μέχρι τέρμα ενώ κρατάτε τη λαβή του σκελετού.
- ▶ **Εικ.7:** 1. Λαβή

ΕΙΔΟΠΟΙΗΣΗ: Μην εισαγάγετε τη λαβή στο καλάθι γρασιδιού. Βεβαιωθείτε να εισαγάγετε τον σκελετό κατά μήκος της ραφής του καλαθιού γρασιδιού.

3. Βεβαιωθείτε ότι δεν δημιουργείται κοιλιά στις γωνίες του καλαθιού γρασιδιού.
- ▶ **Εικ.8**
4. Ανοίξτε το άνω κλιπ και προσδέστε το στον σκελετό.
- ▶ **Εικ.9**
5. Προσδέστε όλα τα άλλα κλιπ όπως απεικονίζεται στην εικόνα. Βεβαιωθείτε ότι όλα τα κλιπ έχουν προσδεθεί με ασφάλεια στον σκελετό.
- ▶ **Εικ.10:** 1. Κλιπ

Τοποθέτηση ή αφαίρεση του καλαθιού γρασιδιού

Για να τοποθετήσετε το καλάθι γρασιδιού, ακολουθήστε τα παρακάτω βήματα.

1. Ανοίξτε το πίσω κάλυμμα.
- ▶ **Εικ.11:** 1. Πίσω κάλυμμα
2. Κρατήστε τη λαβή του καλαθιού γρασιδιού και μετά γαντζώστε το καλάθι γρασιδιού στη ράβδο του κυρίου τμήματος της μηχανής γκαζόν όπως απεικονίζεται στην εικόνα.
- ▶ **Εικ.12:** 1. Καλάθι γρασιδιού 2. Λαβή 3. Ράβδος

Για να αφαιρέσετε το καλάθι γρασιδιού, ανοίξτε το πίσω κάλυμμα και μετά αφαιρέστε το καλάθι γρασιδιού κρατώντας τη λαβή.

Σύνδεση του προσαρτήματος εδαφοκάλυψης

1. Ανοίξτε το πίσω κάλυμμα και μετά αφαιρέστε το καλάθι γρασιδιού.
▶ **Εικ.13:** 1. Πίσω κάλυμμα 2. Καλάθι γρασιδιού
2. Συνδέστε το προάρτημα εδαφοκάλυψης στρώχωντάς το μέχρι τέρμα, με τρόπο ώστε οι προεξοχές στο προάρτημα εδαφοκάλυψης να ταιριάζουν στις οπές του μηχανήματος.
▶ **Εικ.14:** 1. Προάρτημα εδαφοκάλυψης 2. Προεξοχή

Τοποθέτηση ή αφαίρεση της χοάνης εκκένωσης

Για να τοποθετήσετε τη χοάνη εκκένωσης, ακολουθήστε τα παρακάτω βήματα.

1. Ανοίξτε το πίσω κάλυμμα και μετά αφαιρέστε το καλάθι γρασιδιού και το προάρτημα εδαφοκάλυψης.
2. Γαντζώστε τις οπές στη χοάνη εκκένωσης στις προεξοχές στο κύριο τμήμα της μηχανής γκαζόν, όπως απεικονίζεται στην εικόνα.
▶ **Εικ.15:** 1. Χοάνη εκκένωσης 2. Προεξοχή

Για να αφαιρέσετε τη χοάνη εκκένωσης, ανοίξτε το πίσω κάλυμμα και μετά αφαιρέστε τη χοάνη εκκένωσης.

ΠΕΡΙΓΡΑΦΗ ΛΕΙΤΟΥΡΓΙΑΣ

Τοποθέτηση ή αφαίρεση της κασέτας μπαταριών

⚠ ΠΡΟΣΟΧΗ: Να σβήνετε πάντα το μηχάνημα πριν τοποθετήσετε ή αφαιρέσετε την κασέτα μπαταριών.

⚠ ΠΡΟΣΟΧΗ: Κρατήστε το μηχάνημα και την κασέτα μπαταριών σταθερά κατά την τοποθέτηση ή την αφαίρεση της κασέτας μπαταριών. Αν δεν κρατάτε σταθερά το μηχάνημα και την κασέτα μπαταριών, μπορεί να γλιστρήσουν από τα χέρια σας και να προκληθεί ζημιά στο μηχάνημα και την κασέτα μπαταριών και τραυματισμός.

⚠ ΠΡΟΣΟΧΗ: Βεβαιωθείτε να ασφαλίσετε το κάλυμμα μπαταριών πριν από τη χρήση. Διαφορετικά, η λάσπη, η σκόνη ή το νερό μπορεί να προκαλέσουν ζημιά στο προϊόν ή στην κασέτα μπαταριών.

⚠ ΠΡΟΣΟΧΗ: Να τοποθετείτε πάντα την κασέτα μπαταριών πλήρως μέχρι να μην βλέπετε την κόκκινη ένδειξη. Σε αντίθετη περίπτωση, μπορεί να πέσει κατά λάθος από το μηχάνημα και να τραυματίσει εσάς ή κάποιον παρευρισκόμενο.

⚠ ΠΡΟΣΟΧΗ: Μην τοποθετείτε την κασέτα μπαταριών με βία. Αν η κασέτα δεν εισέρχεται με ευκολία, δεν είναι τοποθετημένη σωστά.

⚠ ΠΡΟΣΟΧΗ: Κρατήστε το κάλυμμα μπαταριών σταθερά κατά την τοποθέτηση ή αφαίρεση της κασέτας μπαταριών.

Για να τοποθετήσετε την κασέτα μπαταριών:

1. Τραβήξτε το μοχλό ασφάλισης προς τα πάνω και μετά ανοίξτε το κάλυμμα μπαταριών.
▶ **Εικ.16:** 1. Κάλυμμα μπαταριών 2. Μοχλός ασφάλισης
2. Ευθυγραμμίστε τη γλωττίδα της κασέτας μπαταριών με τη σχισμή στο μηχάνημα, και μετά σύρετε την κασέτα μέχρι να ασφαλίσει στη θέση της με ένα χαρακτηριστικό ήχο.
▶ **Εικ.17:** 1. Κασέτα μπαταριών

3. Κλείστε το κάλυμμα μπαταριών και ωθήστε το μέχρι να ασφαλίσει με το μοχλό ασφάλισης.

Για να αφαιρέσετε την κασέτα μπαταριών:

1. Τραβήξτε το μοχλό ασφάλισης προς τα πάνω και ανοίξτε το κάλυμμα μπαταριών.
2. Τραβήξτε έξω την κασέτα μπαταριών από το μηχάνημα ενώ σύρετε το κουμπί στο μπροστινό μέρος της κασέτας.
3. Κλείστε το κάλυμμα μπαταριών.

Σύστημα προστασίας μηχανήματος / μπαταρίας

Το μηχάνημα είναι εξοπλισμένο με ένα σύστημα προστασίας μηχανήματος / μπαταρίας. Αυτό το σύστημα αποκόπτει αυτόματα την ισχύ προς το μοτέρ για να παραταθεί η διάρκεια ζωής του μηχανήματος και της μπαταρίας. Το μηχάνημα σταματάει αυτόματα κατά τη διάρκεια της λειτουργίας αν το μηχάνημα ή η μπαταρία βρεθούν κάτω από τις παρακάτω συνθήκες:

Προστασία υπερφόρτωσης

Όταν η μπαταρία λειτουργεί με τρόπο που προκαλεί την κατανάλωση ασυνήθιστα υψηλού ηλεκτρικού ρεύματος, το μηχάνημα σταματάει αυτόματα και η λυχνία κύριας λειτουργίας αναβοσβήνει με πράσινο χρώμα. Σε αυτή την κατάσταση, απενεργοποιήστε το μηχάνημα και διακόψτε την εφαρμογή που προκαλεί την υπερφόρτωση του μηχανήματος. Μετά, ενεργοποιήστε το μηχάνημα για επανεκκίνηση.

Προστασία υπερθέρμανσης

Όταν το μηχάνημα υπερθερμανθεί, το μηχάνημα σταματάει αυτόματα και η λυχνία κύριας λειτουργίας ανάβει με κόκκινο χρώμα. Σε αυτή την περίπτωση, αφήστε το μηχάνημα και τις μπαταρίες να κρυώσουν πριν ενεργοποιήσετε ξανά το μηχάνημα.

ΠΑΡΑΤΗΡΗΣΗ: Όταν η μπαταρία υπερθερμανθεί, η λυχνία κύριας λειτουργίας αναβοσβήνει με κόκκινο χρώμα.

Προστασία υπερβολικής αποφόρτισης

Όταν η χωρητικότητα μπαταρίας δεν είναι αρκετή, το μηχάνημα σταματάει αυτόματα και η λυχνία κύριας λειτουργίας αναβοσβήνει με κόκκινο χρώμα. Σε αυτή την περίπτωση, βγάλετε την μπαταρία από το μηχάνημα και φορτίστε τις κασέτες μπαταριών ή αλλάξτε τις κασέτες μπαταριών με πλήρως φορτισμένες.

Προστασία και από άλλες αιτίες

Το σύστημα προστασίας έχει επίσης σχεδιαστεί για άλλες αιτίες που μπορούν να προκαλέσουν ζημιά στο μηχάνημα και επιπρέπει την αυτόματη διακοπή του μηχανήματος. Λάβετε όλα τα ακόλουθα βήματα για να διορθώσετε τις αιτίες, όταν το μηχάνημα τεθεί σε προσωρινή διακοπή ή διακοπή κατά τη διάρκεια της λειτουργίας.

1. Απενεργοποιήστε το μηχάνημα και, στη συνέχεια, ενεργοποιήστε το ξανά για να επανεκκίνηση.
2. Φορτίστε την μπαταρία ή τις μπαταρίες ή αντικαταστήστε τις με επαναφορτιζόμενες μπαταρίες.
3. Αφήστε το μηχάνημα και τις μπαταρίες να ψυχθούν.

Εάν δεν υπάρχει βελτίωση με την επαναφορά του συστήματος προστασίας, επικοινωνήστε με το τοπικό σας κέντρο εξυπηρέτησης της Makita.

ΕΙΔΟΠΟΙΗΣΗ: Αν το μηχάνημα σταματήσει λόγω μιας αιτίας που δεν περιγράφεται ανωτέρω, ανατρέξτε στην ενότητα για την επίλυση προβλημάτων.

Υπόδειξη υπόλοιπης χωρητικότητας μπαταρίας

► **Εικ.18:** 1. Ένδειξη μπαταρίας

Όταν το υπολειπόμενο φορτίο της μπαταρίας είναι χαμηλό, η ένδειξη μπαταρίας αναβοσβήνει στην κατάλληλη πλευρά μπαταρίας. Με περαιτέρω χρήση, το μηχάνημα σταματάει και η ένδειξη μπαταρίας ανάβει. Σε αυτή την κατάσταση, φορτίστε την κασέτα μπαταριών.

ΠΑΡΑΤΗΡΗΣΗ: Εάν είναι τοποθετημένες δύο κασέτες μπαταριών, η μπαταρία που είναι τοποθετημένη στην αριστερή πλευρά θα χρησιμοποιηθεί πρώτα.

ΠΑΡΑΤΗΡΗΣΗ: Εάν είναι τοποθετημένες δύο κασέτες μπαταριών, το μηχάνημα αλλάζει αυτόματα μπαταρία όταν η μπαταρία που χρησιμοποιείται αδειάζει.

Εμφάνιση υπολειπόμενης χωρητικότητας μπαταρίας

Πίστετε το κουμπί ελέγχου στην κασέτα μπαταριών για να υποδείξετε την υπολειπόμενη χωρητικότητα μπαταρίας. Οι ενδεικτικές λυχνίες ανάβουν για λίγα δευτερόλεπτα.

► **Εικ.19:** 1. Ενδεικτικές λυχνίες 2. Κουμπί ελέγχου

Ενδεικτικές λυχνίες			Υπολειπόμενη χωρητικότητα
■ Αναμμένες	□ Σβηστές	▣ Αναβοσβήνουν	
■ ■ ■ ■			75% έως 100%
■ ■ ■ □			50% έως 75%
■ ■ □ □			25% έως 50%
■ □ □ □			0% έως 25%
▣ □ □ □			Φορτίστε την μπαταρία.
■ ■ □ □			Μπορεί να προέκυψε δυσλειτουργία στην μπαταρία.
□ □ ■ ■	↑ ↓		

ΠΑΡΑΤΗΡΗΣΗ: Ανάλογα με τις συνθήκες χρήσης και τη θερμοκρασία περιβάλλοντος, η ένδειξη μπορεί να διαφέρει λίγο από την πραγματική χωρητικότητα.

ΠΑΡΑΤΗΡΗΣΗ: Η πρώτη (τέρμα αριστερά) ενδεικτική λυχνία θα αναβοσβήνει όταν λειτουργεί το σύστημα προστασίας μπαταρίας.

Πίνακας ελέγχου

Ο πίνακας ελέγχου διαθέτει τον διακόπτη κύριας λειτουργίας και το κουμπί αλλαγής τρόπου λειτουργίας.

► **Εικ.20:** 1. Λυχνία ομαλού τρόπου λειτουργίας χωρίς φορτίο 2. Λυχνία τρόπου λειτουργίας μείωσης θορύβου 3. Κουμπί αλλαγής τρόπου λειτουργίας 4. Λυχνία κύριας λειτουργίας 5. Διακόπτης κύριας λειτουργίας

Διακόπτης κύριας λειτουργίας

▲ΠΡΟΕΙΔΟΠΟΙΗΣΗ: Να απενεργοποιείτε πάντα το διακόπτη κύριας λειτουργίας όταν δεν χρησιμοποιείτε το εργαλείο.

Για να ενεργοποιήσετε το μηχάνημα, πατήστε το διακόπτη κύριας λειτουργίας. Η λυχνία κύριας λειτουργίας ανάβει με πράσινο χρώμα. Για να απενεργοποιήσετε το μηχάνημα, πατήστε ξανά το διακόπτη κύριας λειτουργίας.

ΠΑΡΑΤΗΡΗΣΗ: Αν η λυχνία κύριας λειτουργίας ανάψει με κόκκινο χρώμα ή αναβοσβήνει με κόκκινο ή πράσινο χρώμα, ανατρέξτε στις οδηγίες για το σύστημα προστασίας μηχανήματος/μπαταρίας.

ΠΑΡΑΤΗΡΗΣΗ: Αυτό το μηχάνημα χρησιμοποιεί τη λειτουργία αυτόματης απενεργοποίησης. Για να αποφευχθεί η ακούσια εκκίνηση, ο διακόπτης κύριας λειτουργίας κλείνει αυτόματα αν δεν τραβήξετε το μοχλό διακόπτη και το μοχλό κίνησης (αν υπάρχει) για συγκεκριμένη περίοδο μετά την ενεργοποίηση του διακόπτη κύριας λειτουργίας.

Κουμπί αλλαγής τρόπου λειτουργίας

Μπορείτε να αλλάξετε τον τρόπο λειτουργίας αν πατήσετε το κουμπί αλλαγής τρόπου λειτουργίας. Όταν το μηχάνημα είναι ενεργοποιημένο, το μηχάνημα εκκινείται σε κανονικό τρόπο λειτουργίας.

Ανατρέξτε στον παρακάτω πίνακα για κάθε τρόπο λειτουργίας.

Τρόπος λειτουργίας	Λυχνία	Περιγραφή
Κανονικός τρόπος λειτουργίας	Η λυχνία ομαλού τρόπου λειτουργίας χωρίς φορτίο και η λυχνία τρόπου λειτουργίας μείωσης θορύβου είναι σβηστές.	Το μηχάνημα λειτουργεί σε κανονικό τρόπο λειτουργίας.
Ομαλός τρόπος λειτουργίας χωρίς φορτίο	Η λυχνία ομαλού τρόπου λειτουργίας χωρίς φορτίο ανάβει με πράσινο χρώμα.	Μπορείτε να ελαχιστοποιήσετε τον κραδασμό εκκίνησης και να ξεκινήσετε το μηχάνημα ομαλά.
Τρόπος λειτουργίας μείωσης θορύβου	Η λυχνία τρόπου λειτουργίας μείωσης θορύβου ανάβει με πράσινο χρώμα.	Μπορείτε να μειώσετε το θόρυβο κατά τη διάρκεια κούρεματος του γκαζόν.

Δράση διακόπτη

▲ ΠΡΟΕΙΔΟΠΟΙΗΣΗ: Πριν τοποθετήσετε την κασέτα μπαταριών, να ελέγχετε πάντοτε ότι ο μοχλός διακόπτη ενεργοποιείται κανονικά και επιστρέφει στην αρχική θέση όταν ελευθερώνεται. Η λειτουργία του μηχανήματος με διακόπτη που δεν ενεργοποιείται σωστά μπορεί να οδηγήσει σε απώλεια ελέγχου και σοβαρό τραυματισμό.

ΠΑΡΑΤΗΡΗΣΗ: Η μηχανή γκαζόν δεν ενεργοποιείται αν δεν πατήσετε το κουμπί διακόπτη ακόμα και αν έχετε τραβήξει το μοχλό διακόπτη.

ΠΑΡΑΤΗΡΗΣΗ: Η μηχανή γκαζόν δεν ξεκινάει λόγω της υπερφόρτωσης που συμβαίνει όταν προσπαθείτε να κουρέψετε πολύ μακρύ ή πυκνό γκαζόν με τη μία. Στην περίπτωση αυτή αυξήστε το ύψος κουρέματος.

Το μηχανάμα αυτό είναι εξοπλισμένο με κουμπί διακόπτη. Αν παρατηρήσετε οτιδήποτε ασυνήθιστο με το κουμπί διακόπτη, διακόψτε αμέσως τη λειτουργία και φροντίστε να ελεγχθεί από το πλησιέστερο εξουσιοδοτημένο κέντρο εξυπηρέτησης της Makita.

1. Τοποθετήστε τις κασέτες μπαταριών και μετά κλείστε το κάλυμμα μπαταριών.
2. Πατήστε το διακόπτη κύριας λειτουργίας.

ΠΑΡΑΤΗΡΗΣΗ: Η λυχνία κύριας λειτουργίας αναβοσβήνει με πράσινο χρώμα εάν πατήσετε τον διακόπτη κύριας λειτουργίας ενώ τραβάτε τον μοχλό διακόπτη. Αφήστε τον μοχλό διακόπτη πριν πατήσετε τον διακόπτη κύριας λειτουργίας.

3. Τραβήξτε τον μοχλό διακόπτη προς το μέρος σας κρατώντας πατημένο το κουμπί διακόπτη. Αφήστε το κουμπί διακόπτη όταν πάρει μπροστά το μοτέρ.
► **Εικ.21:** 1. Κουμπί διακόπτη 2. Μοχλός διακόπτη

4. Ενώ κρατάτε το μοχλό διακόπτη, ωθήστε το μοχλό κίνησης προς τα εμπρός και κρατήστε τον για να δώσετε κίνηση στους πίσω τροχούς.
► **Εικ.22:** 1. Μοχλός κίνησης

ΠΑΡΑΤΗΡΗΣΗ: Μπορείτε να δώσετε κίνηση στους πίσω τροχούς, ωθώντας το μοχλό κίνησης προς τα εμπρός και κρατώντας τον χωρίς να τραβάτε το μοχλό διακόπτη.

5. Για να σταματήσετε το μηχανάμα, αφήστε το μοχλό κίνησης και το μοχλό διακόπτη.

Ρύθμιση του ύψους κουρέματος

▲ ΠΡΟΕΙΔΟΠΟΙΗΣΗ: Μη βάζετε ποτέ το χέρι ή το πόδι σας κάτω από τη μονάδα της μηχανής γκαζόν όταν ρυθμίζετε το ύψος κουρέματος.

▲ ΠΡΟΕΙΔΟΠΟΙΗΣΗ: Να βεβαιώνετε πάντα ότι ο μοχλός προσαρμόζεται σωστά στην εγκοπή πριν από τη λειτουργία.

Το ύψος κουρέματος μπορεί να ρυθμιστεί στο εύρος από 20 mm έως 100 mm.

Σβήστε το μηχανάμα και μετά τραβήξτε τον μοχλό ρύθμισης ύψους κουρέματος προς την εξωτερική πλευρά του κυρίου τμήματος της μηχανής γκαζόν και μετακινήστε τη στο ύψος κουρέματος που επιθυμείτε.

- **Εικ.23:** 1. Μοχλός ρύθμισης ύψους κουρέματος

Για τη σχέση μεταξύ του αριθμού στο κύριο τμήμα της μηχανής γκαζόν και του προσεγγιστικού ύψους κουρέματος, ανατρέξτε στον παρακάτω πίνακα.

Αριθμός	Ύψος κουρέματος
1	20 mm
2	26 mm
3	32 mm
4	39 mm
5	47 mm
6	55 mm
7	63 mm
8	74 mm
9	86 mm
10	100 mm

Κρατήστε την κάτω λαβή με το ένα χέρι και μετά μετακινήστε τον μοχλό ρύθμισης ύψους κουρέματος με το άλλο χέρι.

- **Εικ.24:** 1. Μοχλός ρύθμισης ύψους κουρέματος 2. Κάτω λαβή

ΠΑΡΑΤΗΡΗΣΗ: Οι τιμές του ύψους κουρέματος πρέπει να χρησιμοποιούνται μόνο ως οδηγός. Ανάλογα με τις συνθήκες χρήσης του γκαζόν ή του εδάφους, το πραγματικό ύψος γκαζόν μπορεί να διαφέρει λίγο από το ρυθμισμένο ύψος.

ΠΑΡΑΤΗΡΗΣΗ: Κάντε ένα δοκιμαστικό κούρεμα του γκαζόν σε ένα λιγότερο εμφανές μέρος για να πετύχετε το επιθυμητό ύψος.

Ένδειξη στάθμης γρασιδιού

Η ένδειξη στάθμης γρασιδιού δείχνει τον όγκο του κουρεμένου γρασιδιού. Όταν το καλάθι γρασιδιού δεν είναι γεμάτο, η ένδειξη αιωρείται όσο λειτουργούν οι λάμες.

- **Εικ.25:** 1. Ένδειξη στάθμης γρασιδιού

Όταν το καλάθι γρασιδιού είναι σχεδόν γεμάτο, η ένδειξη δεν αιωρείται όσο λειτουργούν οι λάμες. Σε αυτή την περίπτωση, διακόψτε αμέσως τη λειτουργία και αδειάστε το καλάθι.

- **Εικ.26:** 1. Ένδειξη στάθμης γρασιδιού

ΠΑΡΑΤΗΡΗΣΗ: Αυτή η ένδειξη είναι ένας πρόχειρος οδηγός. Ανάλογα με τις συνθήκες στο εσωτερικό του καλάθιού, αυτή η ένδειξη μπορεί να μη λειτουργεί σωστά.

Ρύθμιση του ύψους λαβής

Το ύψος λαβής μπορεί να ρυθμιστεί σε δύο επίπεδα.

1. Κρατήστε την κάτω λαβή και, στη συνέχεια, γυρίστε το κομβίο 90° ενώ τραβάτε το κομβίο στην κάτω λαβή για να ελευθερώσετε τον πείρο ασφάλισης. Εκτελέστε την ίδια διαδικασία στην άλλη πλευρά.

- **Εικ.27:** 1. Κάτω λαβή 2. Κομβίο

ΠΑΡΑΤΗΡΗΣΗ: Αν στηρίζετε τη λαβή, διευκολύνεται η απελευθέρωση του πείρου ασφάλισης όταν τραβάτε το κομβίο.

2. Ρυθμίστε το ύψος της λαβής και, στη συνέχεια, γυρίστε το κομβίο και στις δύο πλευρές κατά 90°. Βεβαιωθείτε ότι τα κομβία είναι στερεωμένα με ασφάλεια.

- **Εικ.28:** 1. Κομβίο

Ρύθμιση της ταχύτητας πορείας

► Εικ.29: 1. Μοχλός ταχύτητας

Η ταχύτητα πορείας μπορεί να ρυθμιστεί με το μοχλό ταχύτητας. Για να μειώσετε την ταχύτητα, τραβήξτε το μοχλό προς το μέρος σας και, για να αυξήσετε την ταχύτητα, περιστρέψτε το μοχλό προς τα εμπρός.

Χρήση του προσαρτήματος εδαφοκάλυψης

Το προσάρτημα εδαφοκάλυψης σας επιτρέπει να επιστρέψετε το κομμένο γκαζόν στο έδαφος χωρίς να μαζέψετε το κομμένο γκαζόν μέσα στο καλάθι γρασιδιού. Όταν θέτετε το μηχάνημα σε λειτουργία με προσάρτημα εδαφοκάλυψης, βεβαιωθείτε να αφαιρέσετε το καλάθι γρασιδιού ή τη χοάνη εκκένωσης.

ΕΙΔΟΠΟΙΗΣΗ: Όταν χρησιμοποιείτε το μηχάνημα με προσάρτημα εδαφοκάλυψης, βεβαιωθείτε ότι το συνολικό μήκος του γρασιδιού μετά την κοπή είναι 30 mm ή μεγαλύτερο, και το μήκος κοπής είναι 15 mm ή μικρότερο.

► Εικ.30: (1) 30 mm ή μεγαλύτερο (2) 15 mm ή λιγότερο

Χρήση της χοάνης εκκένωσης

Η χοάνη εκκένωσης σας επιτρέπει να εκκένωνετε το κομμένο γκαζόν στο έδαφος από τη δεξιά πλευρά του μηχανήματος χωρίς να μαζέψετε το κομμένο γκαζόν μέσα στο καλάθι γρασιδιού. Όταν θέτετε το μηχάνημα σε λειτουργία με χοάνη εκκένωσης, βεβαιωθείτε να αφαιρέσετε το καλάθι γρασιδιού και το προσάρτημα εδαφοκάλυψης.

Χρήση της πίσω εκκένωσης

Η χρήση της πίσω εκκένωσης σας επιτρέπει να εκκένωνετε το κομμένο γκαζόν στο έδαφος από την πίσω πλευρά του μηχανήματος χωρίς να μαζέψετε το κομμένο γκαζόν μέσα στο καλάθι γρασιδιού. Όταν χειρίζεστε το μηχάνημα χρησιμοποιώντας την πίσω εκκένωση, να φροντίζετε να αφαιρείτε το προσάρτημα εδαφοκάλυψης και το καλάθι γρασιδιού ή τη χοάνη εκκένωσης και να κλείνετε το πίσω κάλυμμα.

Ηλεκτρονική λειτουργία

Το μηχάνημα είναι εξοπλισμένο με ηλεκτρονικές λειτουργίες για εύκολη λειτουργία.

- Ομαλή εκκίνηση κατά την κίνηση
Η λειτουργία ομαλής εκκίνησης ελαχιστοποιεί τον κραδασμό κατά την εκκίνηση και καθιστά την εκκίνηση του μηχανήματος ομαλή.
- Ηλεκτρικό φρένο
Το μηχάνημα αυτό είναι εξοπλισμένο με ηλεκτρικό φρένο. Αν το μηχάνημα αποτυγχάνει συνεχώς να σταματήσει γρήγορα τις λάμες της μηχανής γκαζόν όταν αφήνετε το μοχλό διακόπτη, αναθέστε την επίσκευή του μηχανήματος σε εξουσιοδοτημένο κέντρο εξυπηρέτησης της Makita.

ΛΕΙΤΟΥΡΓΙΑ

Κούρεμα γκαζόν

▲ΠΡΟΕΙΔΟΠΟΙΗΣΗ: Πριν κουρέψετε το γκαζόν, καθαρίστε τα ξύλα και τις πέτρες από την περιοχή που θα κουρέψετε. Επιπλέον, καθαρίστε εκ των προτέρων τυχόν αγριόχορτα από την περιοχή που θα κουρέψετε.

▲ΠΡΟΕΙΔΟΠΟΙΗΣΗ: Να φοράτε πάντα προστατευτικά γυαλιά-προσωπίδες ή γυαλιά ασφαλείας με πλαϊνά προστατευτικά όταν χειρίζεστε τη μηχανή γκαζόν.

▲ΠΡΟΣΟΧΗ: Αν το κομμένο γκαζόν ή κάποιο ξένο αντικείμενο κολλήσει μέσα στο κύριο τμήμα της μηχανής γκαζόν, βεβαιωθείτε να αφαιρέσετε τις κασέτες μπαταριών και να φορέσετε γάντια πριν αφαιρέσετε το γρασιδί ή το ξένο αντικείμενο.

ΕΙΔΟΠΟΙΗΣΗ: Χρησιμοποιήστε αυτό το μηχάνημα μόνο για το κούρεμα του γκαζόν. Μην κουρεύετε αγριόχορτα με αυτό το μηχάνημα.

► Εικ.31

Κατά το κούρεμα, να κρατάτε τη λαβή σταθερά με τα δύο χέρια. Η ενδεικτική ταχύτητα κουρέματος είναι περίπου 7 έως 14 μέτρα ανά 10 δευτερόλεπτα.

► Εικ.32

ΠΑΡΑΤΗΡΗΣΗ: Όταν κόβετε μακρύ γκαζόν ή πυκνό γκαζόν, αν υπάρχει ανομοιομορφία στο μήκος του γρασιδιού ή κακό τελείωμα μετά το κούρεμα ή αν προκύψει μείωση της ταχύτητας μοτέρ κατά το κούρεμα, μειώστε την ταχύτητα κουρέματος πιο χαμηλά από αυτή που προτείνεται σε αυτό το εγχειρίδιο ή αυξήστε το ύψος κουρέματος.

Οι κεντρικές γραμμές των μπροστινών τροχών αποτελούν οδηγούς για το πλάτος κουρέματος. Χρησιμοποιώντας τις κεντρικές γραμμές ως οδηγούς, να κουρεύετε το γκαζόν σε λωρίδες. Επικαλύψτε το μισό ή το ένα τρίτο της προηγούμενης λωρίδας για να πετύχετε ομοιόμορφο κούρεμα του γκαζόν.

► Εικ.33: 1. Πλάτος κουρέματος 2. Περιοχή επικάλυψης 3. Κεντρική γραμμή

Να αλλάζετε την κατεύθυνση κουρέματος κάθε φορά για να εμποδίσετε την ανάπτυξη των σπόρων γρασιδιού μόνο προς μία κατεύθυνση.

► Εικ.34

Να ελέγχετε περιοδικά το καλάθι γρασιδιού για κούρεμένο γρασιδί. Αδειάστε το καλάθι γρασιδιού πριν γεμίσει. Πριν από κάθε περιοδικό έλεγχο, βεβαιωθείτε να διακοπείτε τη λειτουργία του μηχανήματος και να το σβήνετε.

ΕΙΔΟΠΟΙΗΣΗ: Η χρήση της μηχανής γκαζόν με το καλάθι γρασιδιού γεμάτο αποτρέπει την ομαλή περιστροφή της λάμας και θέτει επιπλέον φορτίο στο μοτέρ, το οποίο μπορεί να προκαλέσει βλάβη.

Κούρεμα μακριού γκαζόν

Μην προσπαθείτε να κουρέψετε μακρύ γκαζόν με τη μία. Αντ' αυτού, κουρέψτε το γκαζόν σε στάδια. Αφήστε μία ή δύο μέρες ανάμεσα στα κουρέματα, μέχρι το γκαζόν να είναι ομοιόμορφα κοντό.

► **Εικ.35**

ΠΑΡΑΤΗΡΗΣΗ: Αν κουρέψετε μακρύ γκαζόν σε κοντό μήκος με τη μία, μπορεί να προκληθεί καταστροφή του γκαζόν. Το κομμένο γκαζόν μπορεί επίσης να φράξει το εσωτερικό της μονάδας της μηχανής γκαζόν.

ΠΑΡΑΤΗΡΗΣΗ: Αν υπάρχει ανομοιομορφία στο μήκος του γρασιδιού ή κακό τελείωμα μετά το κούρεμα ή αν προκύψει μείωση της ταχύτητας μοτέρ κατά το κούρεμα, μειώστε την ταχύτητα κουρέματος ή αυξήστε το ύψος κουρέματος.

Αδειασμα του καλαθιού γρασιδιού

▲ ΠΡΟΕΙΔΟΠΟΙΗΣΗ: Για τη μείωση του κινδύνου πρόκλησης ατυχήματος, να ελέγχετε τακτικά το καλάθι γρασιδιού για τυχόν ζημιά ή μειωμένη αντοχή. Αντικαταστήστε το καλάθι γρασιδιού, αν απαιτείται.

1. Αφήστε τον μοχλό διακόπτη και τον μοχλό κίνησης.
2. Απενεργοποιήστε το μηχάνημα.
3. Ανοίξτε το πίσω κάλυμμα και βγάλτε το καλάθι γρασιδιού ενώ κρατάτε τη λαβή.
► **Εικ.36:** 1. Πίσω κάλυμμα 2. Λαβή 3. Καλάθι γρασιδιού
4. Αδειάστε το καλάθι γρασιδιού.

ΣΥΝΤΗΡΗΣΗ

▲ ΠΡΟΕΙΔΟΠΟΙΗΣΗ: Να βεβαιώνεστε πάντα ότι έχετε βγάλει όλες τις κασέτες μπαταριών από το μηχάνημα πριν από την αποθήκευση ή τη μεταφορά του μηχανήματος καθώς και πριν επιχειρήσετε να εκτελέσετε εργασίες επιθεώρησης ή συντήρησης.

▲ ΠΡΟΕΙΔΟΠΟΙΗΣΗ: Να φοράτε γάντια όταν εκτελείτε εργασίες επιθεώρησης ή συντήρησης.

▲ ΠΡΟΕΙΔΟΠΟΙΗΣΗ: Να φοράτε πάντα προστατευτικά γυαλιά-προσωπίδες ή γυαλιά ασφαλείας με πλαϊνά προστατευτικά όταν εκτελείτε εργασίες επιθεώρησης ή συντήρησης.

ΕΙΔΟΠΟΙΗΣΗ: Μην χρησιμοποιείτε ποτέ βενζίνη, πετρελαϊκό αιθέρα, διαλυτικό, αλκοόλη ή παρόμοιες ουσίες. Μπορεί να προκληθεί αποχρωματισμός, παραμόρφωση ή ρωγμές.

Για τη διατήρηση της ΑΣΦΑΛΕΙΑΣ και ΑΞΙΟΠΙΣΤΙΑΣ του προϊόντος, οι επισκευές και οποιαδήποτε άλλη εργασία συντήρησης ή ρύθμισης πρέπει να εκτελούνται από εξουσιοδοτημένα ή εργοστασιακά κέντρα εξυπηρέτησης της Makita, χρησιμοποιώντας πάντοτε ανταλλακτικά της Makita.

Συντήρηση

1. Αφαιρέστε όλες τις κασέτες μπαταριών και μετά κλείστε το κάλυμμα μπαταριών.
2. Τοποθετήστε τη μηχανή γκαζόν στο πλάι. Καθαρίστε τα μικρά κομμάτια χορταριού που έχουν συσσωρευτεί στο κάτω μέρος της βάσης της μηχανής γκαζόν.
3. Ριζέτε νερό προς το κάτω μέρος του μηχανήματος όπου είναι συνδεδεμένη η λάμα.

ΕΙΔΟΠΟΙΗΣΗ: Μην πλένετε το μηχάνημα με νερό υψηλής πίεσης.

4. Ελέγξτε αν είναι σφικτά όλα τα παξιμάδια, μπουλόνια, βίδες κ.λπ.
5. Επιθεωρήστε τα κινούμενα μέρη για ζημιά, σπάσιμο και φθορά. Τα μέρη που έχουν υποστεί ζημιά ή που λείπουν πρέπει να επισκευαστούν ή να αντικατασταθούν.
6. Αποθηκεύστε τη μηχανή γκαζόν σε ένα ασφαλές μέρος μακριά από παιδιά.

ΕΙΔΟΠΟΙΗΣΗ: Μην χύνετε νερό στην περιοχή που απεικονίζεται στην εικόνα. Αν χυθεί νερό στη μονάδα μοτέρ, μπορεί να προκληθεί δυσλειτουργία του μηχανήματος.

► **Εικ.37:** 1. Περιοχή όπου δεν θα πρέπει να χυθεί νερό

ΕΙΔΟΠΟΙΗΣΗ: Μην ρίχνετε νερό στο μηχάνημα ενώ το μηχάνημα βρίσκεται σε όρθια θέση όπως απεικονίζεται στην εικόνα. Αν το μηχάνημα βρίσκεται στην όρθια θέση, μπορεί να χυθεί νερό στη μονάδα μοτέρ και να προκληθεί δυσλειτουργία του μηχανήματος.

► **Εικ.38**

Μεταφορά της μηχανής γκαζόν

▲ ΠΡΟΣΟΧΗ: Πριν μεταφέρετε τη μηχανή γκαζόν, βεβαιωθείτε ότι όλες οι κασέτες μπαταριών έχουν αφαιρεθεί.

Κατά τη μεταφορά της μηχανής γκαζόν, δύο άτομα θα πρέπει να κρατούν την πίσω λαβή και το κάτω τμήμα κρατήματος στο μπροστινό μέρος του μηχανήματος, όπως απεικονίζεται στην εικόνα.

► **Εικ.39:** 1. Κάτω τμήμα κρατήματος 2. Πίσω λαβή

Αποθήκευση

▲ ΠΡΟΣΟΧΗ: Όταν θέτετε το μηχανήμα στην όρθια θέση, τοποθετήστε το μηχανήμα σε μια επίπεδη και σταθερή επιφάνεια. Αν τοποθετήσετε το μηχανήμα σε ασταθή επιφάνεια, το μηχανήμα μπορεί να πέσει και να προκληθεί τραυματισμός.

Αποθηκεύστε τη μηχανή γκαζόν σε εσωτερικό, δροσερό και στεγνό, κλειδωμένο χώρο. Μην αποθηκεύετε τη μηχανή γκαζόν και το φορτιστή σε μέρη όπου η θερμοκρασία μπορεί να φτάσει ή να ξεπεράσει τους 40 °C.

1. Αφαιρέστε όλες τις κασέτες μπαταριών.
2. Γυρίστε το κομβίο 90° ενώ τραβάτε το κομβίο στην κάτω λαβή για να απελευθερώσετε τον πείρο ασφαλίσης. Εκτελέστε την ίδια διαδικασία στην άλλη πλευρά και, στη συνέχεια, διπλώστε τη λαβή.
▶ **Εικ.40:** 1. Κομβίο

ΠΑΡΑΤΗΡΗΣΗ: Αν στηρίζετε τη λαβή, διευκολύνεται η απελευθέρωση του πείρου ασφαλίσης όταν τραβάτε το κομβίο.

3. Γυρίστε το κομβίο και στις δύο πλευρές κατά 90°. Βεβαιωθείτε ότι τα κομβία είναι στερεωμένα με ασφάλεια.
▶ **Εικ.41:** 1. Κομβίο

ΕΙΔΟΠΟΙΗΣΗ: Προσέχετε να μην πιαστούν τα καλώδια όταν διπλώνετε τη λαβή.

4. Χαλαρώστε τα παξιμάδια αντίχειρα και στις δύο πλευρές και, στη συνέχεια, διπλώστε την άνω λαβή όπως απεικονίζεται στην εικόνα.
▶ **Εικ.42:** 1. Παξιμάδι αντίχειρα 2. Άνω λαβή
5. Τοποθετήστε το μηχανήμα στην όρθια θέση.

ΠΑΡΑΤΗΡΗΣΗ: Όταν τοποθετείτε τη μηχανή γκαζόν στην όρθια θέση, μην κρατάτε μόνο τη λαβή αλλά να κρατάτε το σώμα της μηχανής γκαζόν και τη λαβή.

6. Αποθηκεύστε το καλάθι γρασιδιού όπως απεικονίζεται στην εικόνα.
▶ **Εικ.43:** 1. Καλάθι γρασιδιού
▶ **Εικ.44:** 1. Καλάθι γρασιδιού

Αφαίρεση ή τοποθέτηση της λάμας της μηχανής γκαζόν

▲ ΠΡΟΕΙΔΟΠΟΙΗΣΗ: Η λάμα κινείται ελεύθερα για μερικά δευτερόλεπτα αφού αφήσετε το διακόπτη. Μην ξεκινήσετε καμία λειτουργία αν η λάμα δεν σταματήσει εντελώς.

▲ ΠΡΟΕΙΔΟΠΟΙΗΣΗ: Να αφαιρείτε πάντα όλες τις κασέτες μπαταριών όταν αφαιρείτε ή τοποθετείτε τη λάμα. Αν δεν αφαιρέσετε όλες τις κασέτες μπαταριών μπορεί να προκληθεί σοβαρός τραυματισμός.

▲ ΠΡΟΕΙΔΟΠΟΙΗΣΗ: Να φοράτε πάντα γάντια κατά το χειρισμό της λάμας.

ΕΙΔΟΠΟΙΗΣΗ: Όταν αφαιρείτε ή τοποθετείτε τη λάμα της μηχανής γκαζόν, να χρησιμοποιείτε το σωληνωτό κλειδί που περιλαμβάνεται στη συσκευασία της μηχανής.

Αφαίρεση της λάμας της μηχανής γκαζόν

1. Τοποθετήστε τη μηχανή γκαζόν στο πλάι ώστε ο μοχλός ρύθμισης ύψους κουρέματος να τοποθετηθεί στην άνω πλευρά.
2. Για να ασφαλίσετε τη λάμα, εισαγάγετε τον πείρο στην οπή στο κύριο τμήμα της μηχανής γκαζόν μέχρι τέρμα.
3. Περιστρέψτε το μπουλόνι αριστερόστροφα με το σωληνωτό κλειδί 17.
▶ **Εικ.45:** 1. Λάμα της μηχανής γκαζόν 2. Πείρος 3. Σωληνωτό κλειδί
4. Αφαιρέστε το μπουλόνι και μετά τη λάμα της μηχανής γκαζόν.
▶ **Εικ.46:** 1. Στήριξη λάμας 2. Λάμα της μηχανής γκαζόν 3. Μπουλόνι 4. Προεξοχή

ΕΙΔΟΠΟΙΗΣΗ: Κατά την τοποθέτηση της λάμας της μηχανής γκαζόν, βεβαιωθείτε ότι οι προεξοχές στην στήριξη λάμας εφαρμόζουν στις οπές της λάμας της μηχανής γκαζόν.

Τοποθέτηση της λάμας της μηχανής γκαζόν

▲ ΠΡΟΕΙΔΟΠΟΙΗΣΗ: Τοποθετήστε τη λάμα της μηχανής γκαζόν προσεκτικά. Έχει άνω/κάτω πρόσωση.

▲ ΠΡΟΕΙΔΟΠΟΙΗΣΗ: Σφίξτε καλά το μπουλόνι δεξιόστροφα για να ασφαλίσετε τη λάμα.

▲ ΠΡΟΕΙΔΟΠΟΙΗΣΗ: Βεβαιωθείτε ότι η λάμα της μηχανής γκαζόν και όλα τα μέρη στερέωσης είναι σωστά τοποθετημένα και καλά σφιγμένα.

▲ ΠΡΟΕΙΔΟΠΟΙΗΣΗ: Όταν αλλάζετε τις λάμες, πάντα να ακολουθείτε τις οδηγίες που παρέχονται στο παρόν εγχειρίδιο.

ΕΙΔΟΠΟΙΗΣΗ: Μετά την τοποθέτηση των λαμών της μηχανής γκαζόν, αφαιρέστε τον πείρο από το κύριο τμήμα της μηχανής γκαζόν.

ΕΙΔΟΠΟΙΗΣΗ: Όταν σφίγγετε το μπουλόνι για να τοποθετήσετε τη λάμα της μηχανής γκαζόν, ασκήστε 19 - 29 N·m ως ροπή σύσφιξης (οι τιμές προορίζονται μόνο ως αναφορά).

Για να τοποθετήσετε τις λάμες της μηχανής γκαζόν, ακολουθήστε τη διαδικασία αφαίρεσης με αντίστροφη σειρά.

ΑΝΤΙΜΕΤΩΠΙΣΗ ΠΡΟΒΛΗΜΑΤΩΝ

Πριν ζητήσετε επισκευές, εκτελέστε αρχικά τη δική σας επιθεώρηση. Αν εντοπίσετε πρόβλημα που δεν επεξηγείται στο εγχειρίδιο, μην επιχειρήσετε να απουυναρμολογήσετε το μηχάνημα. Αντ' αυτού, ζητήστε βοήθεια από εξουσιοδοτημένα κέντρα εξυπηρέτησης της Makita και πάντοτε να χρησιμοποιείτε γνήσια ανταλλακτικά της Makita.

Κατάσταση προβλήματος	Πιθανή αιτία (δυσλειτουργία)	Αποκατάσταση
Η μηχανή γκαζόν δεν ενεργοποιείται.	Δεν είναι τοποθετημένη η κασέτα μπαταριών.	Τοποθετήστε φορτισμένη κασέτα μπαταριών.
	Πρόβλημα μπαταριών (μικρή τάση)	Επαναφορτίστε την κασέτα μπαταριών. Αν η επαναφόρτιση δεν είναι αποτελεσματική, αντικαταστήστε την κασέτα μπαταριών.
Το μοτέρ σταματά να λειτουργεί μετά από μικρή χρήση.	Το επίπεδο φόρτισης μπαταρίας είναι χαμηλό.	Επαναφορτίστε την κασέτα μπαταριών. Αν η επαναφόρτιση δεν είναι αποτελεσματική, αντικαταστήστε την κασέτα μπαταριών.
	Το ύψος κουρέματος έχει ρυθμιστεί πολύ χαμηλά.	Αυξήστε το ύψος κουρέματος.
	Έχει φράξει κομμένο γκαζόν μέσα στη μηχανή γκαζόν.	Βγάλτε το φραγμένο γκαζόν από τη μηχανή γκαζόν.
Το μοτέρ δεν φτάνει τις μέγιστες ΣΑΛ.	Η κασέτα μπαταριών δεν είναι σωστά τοποθετημένη.	Τοποθετήστε την κασέτα μπαταριών όπως περιγράφεται σε αυτό το εγχειρίδιο.
	Η ισχύς της μπαταρίας πέφτει.	Επαναφορτίστε την κασέτα μπαταριών. Αν η επαναφόρτιση δεν είναι αποτελεσματική, αντικαταστήστε την κασέτα μπαταριών.
	Το σύστημα μετάδοσης κίνησης δεν λειτουργεί σωστά.	Απευθυνθείτε στο τοπικό εξουσιοδοτημένο κέντρο εξυπηρέτησης για επισκευή.
Η λάμα της μηχανής γκαζόν δεν περιστρέφεται: ⇒ σταματήστε αμέσως τη μηχανή γκαζόν!	Έχει φράξει ένα ξένο αντικείμενο, όπως ένα κλαδί, κοντά στη λάμα.	Αφαιρέστε το ξένο αντικείμενο.
	Το σύστημα μετάδοσης κίνησης δεν λειτουργεί σωστά.	Απευθυνθείτε στο τοπικό εξουσιοδοτημένο κέντρο εξυπηρέτησης για επισκευή.
Ασυνήθιστοι κραδασμοί: ⇒ σταματήστε αμέσως τη μηχανή γκαζόν!	Η λάμα δεν είναι ισορροπημένη ή έχει φθαρεί υπερβολικά ή ανομοιόμορφα.	Αντικαταστήστε τη λάμα.

ΠΡΟΑΙΡΕΤΙΚΑ ΕΞΑΡΤΗΜΑΤΑ

⚠ ΠΡΟΣΟΧΗ: Αυτά τα εξαρτήματα ή προσαρτήματα συνιστώνται για χρήση με το μηχάνημά σας Makita που καθορίζεται στο παρόν εγχειρίδιο. Η χρήση άλλων εξαρτημάτων ή προσαρτημάτων μπορεί να παρουσιάζει κίνδυνο για τραυματισμό ατόμων. Χρησιμοποιήστε εξαρτήματα ή προσαρτήματα μόνο για τον καθορισμένο σκοπό.

Εάν χρειάζεστε οποιαδήποτε βοήθεια για περισσότερες πληροφορίες σε σχέση με αυτά τα εξαρτήματα, απευθυνθείτε στο τοπικό σας κέντρο εξυπηρέτησης Makita.

- Λάμα της μηχανής γκαζόν
- Γνήσια μπαταρία και φορτιστής της Makita

ΠΑΡΑΤΗΡΗΣΗ: Μερικά στοιχεία της λίστας μπορεί να συμπεριλαμβάνονται στη συσκευασία προϊόντος ως στάνταρ εξαρτήματα. Μπορεί να διαφέρουν ανάλογα με τη χώρα.

TEKNİK ÖZELLİKLER

Model:		LM001G	LM002G
Biçme genişliği (bıçak çapı)		480 mm	534 mm
Yüksüz hız	Normal mod	3.200 min ⁻¹	2.800 min ⁻¹
	Yumuşak yüksüz mod	2.500 - 3.200 min ⁻¹	2.300 - 2.800 min ⁻¹
	Gürültü azaltma modu	2.500 min ⁻¹	2.300 min ⁻¹
Yedek çim biçme makinesi bıçağı parça numarası	Düz çim biçme makinesi bıçağı	191V97-3	191V96-5
	Düz çim biçme makinesi bıçağı *1	-	191W87-2
	Malçlama bıçağı	191Y64-6	191Y65-4
Boyutlar (U x G x Y)	çalışma sırasında	U: 1.670 mm ila 1.745 mm G: 550 mm Y: 965 mm ila 1.075 mm	U: 1.740 mm ila 1.810 mm G: 595 mm Y: 970 mm ila 1.080 mm
	saklama sırasında (çim sepletsiz)	585 mm x 550 mm x 900 mm	580 mm x 595 mm x 930 mm
Seyahat hızı		1,5 - 5,0 km/h	
Anma gerilimi		D.C. 36 V - 40 V maks.	
Net ağırlık		28,0 - 33,0 kg	29,3 - 34,5 kg
Koruma sınıfı		IPX4	

*1. Çimleri daha verimli toplamak için çim biçme makinesi bıçağı.

- Sürekli yapılan araştırma ve geliştirmelerden dolayı, burada belirtilen özellikler önceden bildirilmeksizin değiştirilebilir.
- Özellikler ülkeden ülkeye değişebilir.
- Ağırlık, ekli aksesuara/aksesuarlara ve batarya kartuşuna bağlı olarak farklılık gösterebilir. EPTA-Prosedürü 01/2014'e göre en hafif ve en ağır kombinasyonlar tabloda verilmiştir.

Geçerli batarya kartuşu ve şarj aleti

Batarya kartuşu	BL4020 / BL4025 / BL4040* / BL4040F* / BL4050F* / BL4080F* * : Önerilen bataryaya
Şarj aleti	DC40RA / DC40RB / DC40RC / DC40WA

- Yukarıda listelenen batarya kartuşlarının ve şarj aletlerinin bazıları yaşadığınız bölgeye bağlı olarak mevcut olmayabilir.

UYARI: Sadece yukarıda listelenen batarya kartuşlarını ve şarj aletlerini kullanın. Başka batarya kartuşlarının ve şarj aletlerinin kullanılması yaralanma ve/veya yangına neden olabilir.

UYARI: Batarya adaptörü veya taşınabilir güç ünitesi gibi kablolu güç kaynaklarını bu makine ile kullanmayın. Bu tür güç kaynaklarının kablosu çalışmayı engelleyebilir ve yaralanmaya neden olabilir.

Semboller

Ekipmanı için kullanılabilecek semboller aşağıda gösterilmiştir. Kullanmadan önce anlamlarını anladığınızdan emin olun.



Çok özenli ve dikkatli kullanın.



Eİ kitabını okuyun.



Tehlike; sıçrayan nesnelere korununuz.



Alet ile etrafındaki kişiler arasında en az 15 m mesafe olmalıdır.



Ellerinizi ve ayaklarınızı asla çim biçme makinesinin altındaki çim biçme makinesi bıçağına yaklaştırmayın. Motor durdurulduktan sonra çim biçme makinesi bıçakları dönmeye devam eder.



Uyarı; Bakım yapmadan önce bataryayı ayırın.



Elektrik tehlikesi. Su ile temas elektrik çarpmasına neden olabilir.



Su dökmeyin.



Sadece AB ülkeleri için
Ekipmanda tehlikeli bileşenler bulunduğundan dolayı atık elektrikli ve elektronik ekipmanlar, aküler ve bataryalar çevre ve insan sağlığı üzerinde olumsuz etkiye yol açabilir.
Elektrikli ve elektronik cihazları veya bataryaları evsel atıklarla birlikte atmayın!
Atık elektrikli ve elektronik ekipmanlar ile akümülatörler ve bataryalar hakkındaki Avrupa Direktifi ve söz konusu direktifin ulusal yasalara uyarlanması gereğince atık elektrikli ekipmanlar, bataryalar ve akümülatörler ayrı olarak depolanmalı ve çevre koruma hakkındaki mevzuata uygun olarak faaliyet gösteren ayrı bir kentsel atık toplama noktasına teslim edilmelidir.
Bu husus, ekipmanın üzerine yerleştirilmiş üzerinde çarpı işareti bulunan tekerlekli çöp kovası simgesi ile belirtilmiştir.



AB Dış Mekan Gürültü Direktifi uyarınca garanti edilen ses gücü seviyesi.



Avustralya NSW Gürültü Kontrol Mevzuatı uyarınca ses gücü seviyesi

Kullanım amacı

Bu makine çim biçmek için tasarlanmıştır.

Gürültü

Tipik A-ağırlıklı gürültü düzeyi (EN62841-4-3 standardına göre belirlenen):

Model LM001G

Ölçülen ses gücü seviyesi (L_{WA}): 91 dB (A)
Garanti edilen ses gücü seviyesi (L_{WA}): 94 dB (A)
Ses basıncı seviyesi (L_{pA}): 81 dB (A)
Ses basıncı seviyesi belirsizliği (K): 3 dB (A)

Model LM002G

Ölçülen ses gücü seviyesi (L_{WA}): 91 dB (A)
Garanti edilen ses gücü seviyesi (L_{WA}): 94 dB (A)
Ses basıncı seviyesi (L_{pA}): 81 dB (A)
Ses basıncı seviyesi belirsizliği (K): 3 dB (A)

NOT: Beyan edilen gürültü emisyonu değer(ler)i bir standart test yöntemine uygun şekilde ölçülmüştür ve bir aleti bir başkasıyla karşılaştırmak için kullanılabilir.

NOT: Beyan edilen gürültü emisyonu değer(ler)i bir ön maruz kalma değerlendirmesi olarak da kullanılabilir.

UYARI: Kulak koruyucuları takın.

UYARI: Elektrikli aletin gerçek kullanımı sırasındaki gürültü emisyonu, aletin kullanım biçimlerine, özellikle işlenen iş parçasının türüne bağlı olarak beyan edilen değer(ler)den farklı olabilir.

UYARI: Gerçek kullanım koşullarındaki tahmini maruziyeti baz alan, operatörü koruyacak güvenlik önlemlerini mutlaka belirleyin (çalışma döngüsü içerisinde aletin kapalı olduğu ve aktif durumda olmasının yanı sıra boşta çalıştığı zamanlar gibi, bütün zaman dilimleri göz önünde bulundurarak).

Titreşim

Titreşim toplam değeri (üç eksenli vektör toplamı) (EN62841-4-3 standardına göre hesaplanan):

Model LM001G

Titreşim emisyonu (a_h): 2,5 m/s² den az
Belirsizlik (K) : 1,5 m/s²

Model LM002G

Titreşim emisyonu (a_h): 2,5 m/s² den az
Belirsizlik (K) : 1,5 m/s²

NOT: Beyan edilen titreşim toplam değer(ler)i bir standart test yöntemine uygun şekilde ölçülmüştür ve bir aleti bir başkasıyla karşılaştırmak için kullanılabilir.

NOT: Beyan edilen titreşim toplam değer(ler)i bir ön maruz kalma değerlendirmesi olarak da kullanılabilir.

UYARI: Elektrikli aletin gerçek kullanımı sırasındaki titreşim emisyonu, aletin kullanım biçimlerine, özellikle işlenen iş parçasının türüne bağlı olarak beyan edilen değer(ler)den farklı olabilir.

UYARI: Gerçek kullanım koşullarındaki tahmini maruziyeti baz alan, operatörü koruyacak güvenlik önlemlerini mutlaka belirleyin (çalışma döngüsü içerisinde aletin kapalı olduğu ve aktif durumda olmasının yanı sıra boşta çalıştığı zamanlar gibi, bütün zaman dilimleri göz önünde bulundurarak).

Uygunluk Beyanları

Sadece Avrupa ülkeleri için

Uygunluk beyanları bu kullanma kılavuzuna Ek A olarak eklenmiştir.

GÜVENLİK UYARILARI

Genel elektrikli alet güvenliği uyarıları

UYARI Bu elektrikli aletle birlikte verilen tüm güvenlik uyarılarını, talimatları, resimli açıklamaları ve teknik özellikleri okuyun. Aşağıda listelenen talimatların herhangi birine uyulmaması elektrik çarpması, yanığın ve/veya ciddi yaralanma ile sonuçlanabilir.

Tüm uyarıları ve talimatları iletide baş vurmak için saklayın.

Uyarılardaki "elektrikli alet" terimi ile ya prizden çalışan (kordonlu) elektrikli aletiniz ya da kendi aküsü ile çalışan (kordonsuz) elektrikli aletiniz kastedilmektedir.

Akülü Çim Biçme Makinesi Güvenlik Uyarıları

- Özellikle yıldırım düşmesi riski olan kötü hava koşullarında çim biçme makinesini kullanmayın. Bu şekilde yıldırım çarpması riskini azaltabilirsiniz.
- Çim biçme makinesinin kullanılacağı yeri yabancı hayvanlar açısından baştan aşağı kontrol edin. Çalışma sırasında yabancı hayvanlar çim biçme makinesi tarafından yaralanabilir.

ÖNEMLİ GÜVENLİK TALİMATLARI

UYARI: Tüm güvenlik uyarılarını ve tüm talimatları okuyun. Uyarılara ve talimatlara uyulmaması elektrik şoku, yangın ve/veya ciddi yaralanmalar ile sonuçlanabilir.

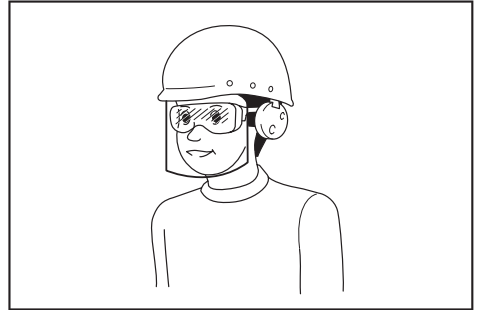
Tüm uyarıları ve talimatları iletide başvurmak için saklayın.

Eğitim

1. Talimatları dikkatlice okuyun. Çim biçme makinesinin kontrollerine ve düzgün kullanımına aşinalık kazanın.
2. Bu talimatlar konusunda bilgisi olmayan çocukların ve büyüklerin çim biçme makinesini kullanmasına asla izin vermeyin. Yerel düzenlemeler kullanıcı yaşına sınırlandırma getirebilir.
3. Çim biçme makinesini asla çevresinde insanlar, özellikle de çocuklar veya evcil hayvanlar varken kullanmayın.
4. Diğer insanlara ya da mallarına gelecek zararlardan ve kazalardan operatör ya da kullanıcının sorumlu olduğunu unutmayın.
5. Çocuklar çim biçme makinesiyle oynamadıklarından emin olmak için gözlemlenmelidir.
6. Fiziksel durum - Uyuşturucu, alkol ya da herhangi bir ilacın etkisindeyken çim biçme makinesini kullanmayın.

Hazırlık

1. Çim biçme makinesini kullanırken daima uygun bir ayakkabı ve uzun pantolon giyin. Çim biçme makinesini çıplak ayakla ya da açık sandaletlerle kullanmayın. Bol ya da askılı, bağcıklı kıyafetler veya takılar takmaktan kaçının. Hareket eden parçalara takılabilir.
2. Kullanmadan önce çim biçme makinesinde hasar, eksik veya hatalı yerleştirilmiş koruma veya siper olup olmadığını gözle mutlaka kontrol edin.
3. Biçme işlemine başlamadan önce alanda kimse bulunmadığından emin olun. Alana birisi girerse çim biçme makinesini durdurun.
4. Elektrikli aletleri kullanırken gözlerinizi korumak için daima koruyucu gözlük kullanın. Gözlüklerin ABD'de ANSI Z87.1 ile, Avrupa'da EN 166 ile ya da Avustralya/Yeni Zelanda'da AS/NZS 1336 ile uyumlu olması gereklidir. Avustralya/Yeni Zelanda'da, yüzünüzü korumanız için yüz koruyucu maske kullanılması da yasal olarak gereklidir.



Alet operatörlerinin ve çalışma alanının yakınında çalışan diğer kişilerin uygun koruyucu güvenlik ekipmanlarını kullanmasının sağlanması, işverenin yükümlülüğündedir.

3. Çim biçme makinesinin kullanılacağı yeri baştan aşağı kontrol edin ve tüm taş, çubuk, tel, kemik ve diğer yabancı maddeleri kaldırın. Fırlayan cisimler yaranlamaya neden olabilir.
4. Çim biçme makinesini kullanmadan önce bıçak ve bıçak takımının aşınmadığını veya hasarlı olmadığını görmek için mutlaka gözle kontrol edin. Aşınmış veya hasarlı parçaları yaranlama riskini artırır.
5. Çim tutucuyu aşınma veya yıpranmalara karşı sık sık kontrol edin. Aşınmış veya hasarlı çim tutucu yaranlama riskini artırabilir.
6. Siperleri takılı tutun. Siperler çalışır durumda ve düzgün monte edilmiş olmalıdır. Gevşek, hasarlı veya düzgün çalışmayan bir siper yaranlamaya neden olabilir.
7. Tüm soğutma hava girişlerini döküntülerden temiz tutun. Tıkanmış hava girişleri ve döküntüler aşırı ısınmaya veya yangın riskine neden olabilir.
8. Çim biçme makinesini kullanırken daima kaymaz ve koruyucu ayakkabı giyin. Çim biçme makinesini çıplak ayakla ya da açık sandaletlerle kullanmayın. Bu, ayakların hareket eden bıçağa temas sonucu yaranlama ihtimalini azaltır.
9. Çim biçme makinesini kullanırken her zaman uzun pantolon giyin. Açıkta kalan cilt, fırlayan cisimler nedeniyle yaranlama ihtimalini artırır.
10. Çim biçme makinesini ıslak çimde kullanmayın. Yürüyerek kullanın, asla koşmayın. Bu, yaranlama ile sonuçlanabilecek kayma ve düşme riskini azaltır.
11. Çim biçme makinesini aşırı dik yokuşlarda kullanmayın. Bu, yaranlama ile sonuçlanabilecek kontrol kaybı, kayma ve düşme riskini azaltır.
12. Yokuşlarda çalışırken daima yere sağlam basın, her zaman yokuş cephesinde yalanmasına çalışın, asla yokuş aşağı veya yukarı çalışmayın ve yön değiştirirken çok dikkatli olun. Bu, yaranlama ile sonuçlanabilecek kontrol kaybı, kayma ve düşme riskini azaltır.
13. Geri geri giderken ya da çim biçme makinesini kendinize doğru çekerken çok dikkatli olun. Her zaman etrafınıza dikkat edin. Bu çalışma sırasında takılma riskini azaltır.
14. Hala hareket halindeyken bıçaklara ve diğer tehlikeli hareketli parçalara dokunmayın. Bu hareketli parçalar nedeniyle yaranlama riskini azaltır.
15. Sıkışan maddeleri çıkarırken veya çim biçme makinesini temizlerken tüm güç anahtarlarının kapalı ve batarya takımının ayrılmış olduğundan emin olun. Çim biçme makinesinin beklenmedik çalışması ciddi yaranlamaya neden olabilir.

BU TALİMATLARI SAKLAYIN.

UYARI: Ürünü kullanırken (defalarca kullanınca kazanılan) rahatlık ve tanıdıklık duygusunun ilgili ürünün güvenlik kurallarına sıkı sıkıya bağlı kalmanın yerine geçmesine İZİN VERMEYİN.

YANLIŞ KULLANIM veya bu kullanma kılavuzunda belirtilen emniyet kurallarına uymama ciddi yaranlamaya neden olabilir.

5. Kullanmadan önce bıçaklarda veya bıçak cıvataralarında çatlak ya da hasar olup olmadığını kontrol edin. Çatlak ya da hasarlı bıçakları veya bıçak cıvatalarını hemen değiştirin.
6. Kişisel yaralanmaları veya çim biçme makinesine zarar gelmesini önlemek için taş, tel, şişe, kemik, kalın dallar gibi yabancı maddeleri biçme işlemine başlamadan önce alandan kaldırın.
7. Çim biçme makinesi bıçağının çarptığı nesnelere etraftaki kişilerin ciddi şekilde yaralanmasına sebep olabilir. Her biçme işleminden önce çim kontrol edilmeli ve üzerindeki tüm nesnelere kaldırılmalıdır.
8. Çukur, teker izi, tümsek, kaya veya başka saklı nesnelere dikkat edin. Engabeli arazi kayma ve düşme kazasına neden olabilir. Yüksek çim engelleri gizleyebilir.
9. Kişisel koruyucu ekipman kullanın. Daima göz koruması kullanın. Uygun koşullarda toz maskeleri, altı kaymayan emniyetli ayakkabılar, sert başlıklar ya da kulak korumaları gibi koruyucu donanım kullanılması, yaralanmaları önler.
10. Eğimli bölgelerde çimleri enlemesine biçin, asla yukarı veya aşağı doğru biçmeyin. Eğimli bölgelerde yön değiştirirken çok dikkat edin. Dik eğimli bölgelerdeki çimleri aşırı derecede biçmeyin.
11. Geri geri giderken ya da çim biçme makinesini kendinize doğru çekerken çok dikkatli olun.
12. Çim dışındaki yüzeylerden geçerken çim biçme makinesinin eğilmesi gerekiyorsa ve makineyi kullanılmak üzere alana ya da kullanılan alandan dışarı taşırken bıçağı/bıçakları durdurun.
13. Başlatma için çim biçme makinesinin eğilmesi gereken durumlar haricinde, motoru çalıştıran makineyi eğmeyin. Eğmenin gerekli olduğu durumlarda gereken miktardan fazla eğmeyin ve sadece kullanıcıdan uzakta olan kısmı kaldırın. Çim biçme makinesini yere koymadan önce her iki elinizin çalışma konusunda olduğundan mutlaka emin olun.
14. Ellerinizi veya ayaklarınızı dönen parçaların yakınına ya da altına koymayın. Boşaltma ağzından daima uzak durun.
15. Çim biçme makinesi çalışırken bir yerden bir yere nakletmeyin.
16. Çim biçme makinesini ıslak çimlerde kullanmaktan kaçının.
17. Tutamağı daima sıkıca tutun.
18. Çim biçme makinesini kaldırırken veya tutarken açıkta kalan keskin bıçakları ya da keskin kenarları tutmayın.
19. Ellerinizi ve ayaklarınızı dönen bıçaklardan uzak tutun. Dikkat - Çim biçme makinesi kapatıldıktan sonra bıçaklar bir müddet dönmeye devam eder.
20. Anormal bir durum fark ederseniz kullanımı derhal durdurun. Çim biçme makinesini kapatın. Ardından çim biçme makinesini kontrol edin.
21. Çim biçme makinesinin yükseklik ayarlamaya özelliği varsa çim biçme makinesini çalışırken asla kesim yüksekliği ayarı yapmaya çalışmayın.
22. Garaj yollarından, kaldırımlardan, yollardan ve çalılık kaplı alanlardan geçmeden önce anahtar kolunu serbest bırakın ve bıçak dönüşünün durmasını bekleyin. Çim biçme makinesini bıraktığınızda, yolunuza çıkan bir şeyi almak ya da kaldırmak için durduğunuzda ya da dikkatinizi kaçırarak herhangi bir olay olduğunda da makineyi kapatın.
23. Çim biçme makinesi yabancı bir cisme çarparsa şu adımları izleyin:
- Çim biçme makinesini durdurun, anahtar kolunu serbest bırakın ve bıçak tamamen durana kadar bekleyin.
- Batarya kartuşunu çıkarın.
- Çim biçme makinesinde hasar olup olmadığını dikkatlice kontrol edin.
- Herhangi bir şekilde zarar görmüşse bıçağı değiştirin. Yeniden başlatmadan ve çim biçme makinesini kullanmaya devam etmeden önce herhangi bir hasar varsa onarın.
24. Boşaltma ağzının önünde dururken çim biçme makinesini başlatmayın.

Kullanım

1. Fazla ileriye uzanmaya çalışmayın. Dengeyi her zaman koruyun. Eğimli yerlerde adımlarınıza daima dikkat edin. Yürüyerek kullanın, asla koşmayın.
2. Şunları yapmadan önce çim biçme makinesini durdurun ve makineyi kapatın ve hareket eden tüm parçaların tamamen durduğundan emin olun:
- çim biçme makinesini kullanmayı bıraktığınızda,
- tıkanmaları temizlemeden ya da sepeti boşaltmadan önce,
- kontrol etmeden, temizlemeden veya çim biçme makinesini üzerinde çalışmadan önce;
- yabancı bir cisme çarptığınızda. Aşağıdaki durumlarda çim biçme makinesinde hasar olup olmadığını kontrol edin ve makineyi yeniden başlatmadan ve çalıştırmadan önce gerekli onarımları yaptırın,
- çim biçme makinesi olağan dışı bir şekilde titremeye başladığında.
3. Çim biçme makinesini hasarlı koruma veya siperle ya da deflektör ve/veya çim sepeti gibi güvenlik aygıtları yerine takılı olmadan kullanmayın.
4. Çim biçme makinesini kötü hava koşullarında, özellikle yıldırım riski varken kullanmaktan sakının.
5. Çim biçme makinesini kullanırken daima koruyucu gözlük takın ve dayanıklı ayakkabılar giyin.
6. Çim biçme makinesini sadece gün ışığında ya da iyi aydınlatma sağlayan yapay ışıkta kullanın.
7. Çim biçme makinesini talimatlara uygun olarak çalıştırın ve ayaklarınızı bıçaklardan uzak tutun.
8. Çim biçme makinesi bıçaklarının ayaklarınızı ve ellerinizi yaralamasına karşı dikkatli olun.
9. Havalandırma deliklerinin toruz birikintilerine karşı temiz tutulduğundan daima emin olun.

25. **Çim biçme makinesi anormal şekilde titremeye başlarsa (hemen kontrol edin)**
 - hasarı tespit edin,
 - hasarlı parçaları değiştirin veya onarın,
 - parçaların gevşek olup olmadığını kontrol edin, gevşek olanları sıkın.
26. **Boşaltılan materyali hiçbir zaman hiç kimseye doğrultmayın. Materyali bir duvar veya engele doğru boşaltmaktan kaçının.** Materyal operatöre doğru geri sekebilir. Çakıllı yüzeylerden geçerken bıçağı durdurun.
27. **Mutlaka gerekmedikçe çim biçme makinesini geri geri çekmeyin.** Çim biçme makinesini bir çit veya başka benzeri engelden geri çekmek zorunda kalırsanız geri geri çim biçme öncesinde ve sırasında aşağıya ve arkaya bakın.
28. **Çim tutucuyu çıkarmadan önce motoru kapatın ve bıçağın tamamen durmasını bekleyin.** Kapatıldıktan sonra bıçakların bir müddet boşta hareket ettiğine dikkat edin.
29. **Makineyi çamurlu zeminde, ıslak yamaçlarda veya kaygan yerlerde kullanırken dengenize dikkat edin.**
30. **Makineyi su birikintisine sokmayın.**
31. **Makineyi kullanırken borulara ve kablolara dikkat edin.**

Bakım ve saklama

1. **Güvenlik için, aşınmış veya hasar görmüş parçaları değiştirin. Sadece orijinal yedek parça ve aksesuar kullanın.**
2. **Çim biçme makinesini düzenli olarak kontrol edin ve bakımını yapın.**
3. **Kullanımda değilken çim biçme makinesini çocukların erişemeyeceği bir yerde saklayın.**
4. **Güvenli bir çalışma için tüm somun, civata ve vidaların sıkı olduğundan emin olun.**
5. **Çim sepetini aşınma ve yıpranmalara karşı sık sık kontrol edin. Saklarken çim sepetinin boş olduğundan daima emin olun. Güvenlik için, yıpranmış çim sepetini yeni bir orijinal çim sepetiyle değiştirin.**
6. **Sadece bu kılavuzda belirtilen üreticinin orijinal bıçaklarını kullanın.**
7. **Çim biçme makinesini ayarlarken parmaklarınızı hareketli bıçaklar ile çim biçme makinesinin sabit parçaları arasına sıkıştırmamaya dikkat edin.**
8. **Uygun şekilde sıkılandığından emin olmak için bıçak montaj civatasını belirli aralıklarla kontrol edin.**
9. **Çim biçme makinesini depolamadan önce soğuduğundan daima emin olun.**
10. **Bıçaklarla ilgili işlem yaparken, güç kaynağı kapalı olsa da bıçakların hareket edebileceğini unutmayın.**
11. **Güvenlik aygıtlarını asla çıkarmayın veya kurcalamayın. Düzgün çalıştıklarını düzenli olarak kontrol edin. Bir güvenlik aygıtının amaçlanan işlevine müdahale edecek veya güvenlik aygıtının sağladığı korumayı azaltacak hiçbir şey yapmayın.**
12. **Makineyi dışarıda yağmur altında gözetimsiz bırakmayın.**
13. **Makineyi depolarken doğrudan güneş ışığı ve yağmurdan sakının, ısınmayacak veya nemlenmeyecek bir yerde depolayın.**

Bataryalı aletin kullanımı ve bakımı

1. **Sadece üretici tarafından belirtilen şarj aleti ile şarj edin.** Bir batarya kutusu için uygun olan şarj cihazı başka bir batarya kutusu ile kullanıldığında yangın riski oluşturabilir.
2. **Elektrikli aletleri sadece özel olarak belirtilen batarya kutuları ile kullanın.** Başka batarya kutularının kullanımı yaralanma ve yangın riski oluşturabilir.
3. **Batarya kutusu kullanılmadıkça; iki terminal arasında bağlantı kurulmasına sebep olabilecek ataç, bozuk para, anahtar, çivi, vida gibi metal nesnelere ya da küçük metal objelere uzak tutun.** Batarya terminallerine kısa devre yaptırmak yanıklara ya da yangına yol açabilir.
4. **Kötü koşullarda bataryadan sıvı sızabilir; bu sıvıya temas etmeyin. Eğer istemeden bir temas olursa suyla yıkayın. Sıvı göze temas ederse, suyla yıkadıktan sonra tıbbi yardım alın.** Bataryadan çıkan sıvı tahrişe ya da yanıklara neden olabilir.
5. **Batarya kutusu ya da alet hasar görmüşse ya da üzerinde değişiklik yapılmışsa batarya kutusunu kullanmayın.** Hasar görmüş ya da üzerinde değişiklik yapılmış batarya kutuları yangın, patlama ya da yaralanma riski ile sonuçlanan beklenmedik davranışlar sergileyebilir.
6. **Batarya kutusunu veya aleti ateşe ya da aşırı sıcaklıklara maruz bırakmayın.** Ateşe ya da 130 °C'nin üzerindeki sıcaklıklara maruz bırakmak patlamaya neden olabilir.
7. **Tüm şarj talimatlarına uyun ve batarya kutusunu ya da aleti yönergelerde belirtilen sıcaklık aralığının dışındaki sıcaklıklarda şarj etmeyin.** Uygun olmayan bir şekilde ya da belirtilen sıcaklık aralığının dışında şarj etmek bataryaya zarar verebilir ve yangın riskini artırabilir.

Elektrik ve batarya güvenliği

1. **Bataryayı/bataryaları ateşe atmayın.** Batarya hücresi patlayabilir. Bertaraf etmeye ilişkin özel talimatlar için yerel yönetmelikleri kontrol edin.
2. **Batarya/bataryaları açmayın ya da batarya(lar) üzerinde değişiklik yapmayın.** Ortaya çıkan elektrolit aşındırıcıdır ve gözlere ya da cilde zarar verebilir. Yutulduğu takdirde zehirli olabilir.
3. **Bataryayı yağmurda veya ıslak yerlerde şarj etmeyin.**
4. **Bataryayı açık alanda şarj etmeyin.**
5. **Şarj aleti fişi ve şarj aleti terminalleri dahil şarj aletine ıslak ellerle dokunmayın.**
6. **Bataryayı yağmurda değiştirmeyin.**
7. **Batarya bağlantı uçlarını su gibi sıvılarla ıslatmayın ya da bataryayı sıvılarla sokmayın.** Bataryayı yağmurda bırakmayın veya bataryayı nemli ya da ıslak yerlerde şarj etmeyin, kullanmayın veya depolamayın. Bağlantı uçları ıslanır veya bataryanın içine sıvı girerse batarya kısa devre olabilir ve aşırı ısınma, yangın veya patlama riski ortaya çıkar.
8. **Bataryayı makine veya şarj aletinden çıkardıktan sonra mutlaka bataryaya batarya kapağını takın ve kuru bir yerde depolayın.**
9. **Bataryayı ıslak ellerle değiştirmeyin.**

10. Tehlikeli ortamlardan kaçının. Makineyi nemli ya da ıslak yerlerde kullanmayın ve yağmura maruz bırakmayın. Makinenin içine su girmesi elektrik çarpması riskini arttıracaktır.
11. Batarya kartuşu ıslanırsa içinden suyu boşaltın ve ardından kuru bir bezle silin. Kullanmadan önce batarya kartuşunu kuru bir yerde tamamen kurulaştırın.

Servis

1. Elektrikli aletinize nitelikli bir onarım elemanı tarafından orijinal parçaları kullanılarak servis verilmesini sağlayın. Bu, elektrikli aletin güvenli kalmasını temin eder.
2. Hasarlı batarya kutularını asla tamir etmeye çalışmayın. Batarya kutularının tamiri sadece üretici veya yetkili servis sağlayıcıları tarafından yapılmalıdır.

BU TALİMATLARI SAKLAYIN.

⚠UYARI: Ürünü kullanırken (defalarca kullanınca kazanılan) rahatlık ve tanıdıklık duygusunun ilgili ürünün güvenlik kurallarına sıkı sıkıya bağlı kalmanın yerine geçmesine İZİN VERMEYİN.

YANLIŞ KULLANIM veya bu kullanma kılavuzunda belirtilen emniyet kurallarına uymama ciddi yaralanmaya neden olabilir.

Batarya kartuşu hakkında önemli güvenlik talimatları

1. Batarya kartuşunu kullanmadan önce, tüm talimatları ve (1) batarya kartuşu, (2) batarya ve (3) ürün üzerindeki tüm uyarı işaretlerini okuyun.
2. Batarya kartuşunu parçalarına ayırmayın veya kurcalamayın. Yangın, aşırı ısı veya patlamaya neden olabilir.
3. Çalışma süresi aşırı derecede kısalmışsa kullanmayı derhal bırakın. Aşırı ısınma, yanma riski hatta patlamaya neden olabilir.
4. Gözünüze elektrolit kaçarsa, gözlerinizi temiz suyla durulayın ve hemen tıbbi yardım alın. Görme kaybına yol açabilir.
5. Batarya kartuşuna kısa devre yaptırmayın:
 - (1) Terminallere herhangi bir iletken madde değdirmeyin.
 - (2) Batarya kartuşunu çiviler, madeni paralar, vb. gibi başka metal nesnelere aynı kaba koymaktan kaçının.
 - (3) Batarya kartuşunu yağmura ya da suya maruz bırakmayın.

Kısa devre, büyük bir akım akışına, aşırı ısınmaya, olası yanıklara hatta bataryanın bozulmasına yol açabilir.

6. Aleti ve batarya kartuşunu sıcaklığın 50 °C ya da daha yükseğe ulaştığı yerlerde saklamayın ve kullanmayın.
7. Aşırı derecede hasar görmüş ya da tamamen kullanılamaz durumda olsa bile batarya kartuşunu yakmayın. Batarya kartuşu ateşe atılırsa patlayabilir.

8. Batarya kartuşunu çivilemeyin, kesmeyin, ezmeyin, fırlatmayın, düşürmeyin ya da batarya kartuşuna sert bir nesne ile vurmayın. Bu eylemler yangın, aşırı ısı veya patlamaya neden olabilir.
9. Hasarlı bataryayı kullanmayın.
10. Aletin içerdiği lityum-iyon bataryalar Tehlikeli Eşyalar Yönetmeliğinin gereksinimlerine tabidir.

Ticari nakliye işlemleri için, örneğin üçüncü taraflar, nakliye acenteleri tarafından yapılan nakliyelerde, paketleme ve etiketleme gereksinimlerine uyulmalıdır.

Nakliyesi yapılacak ürünün hazırlanması için, tehlikeli maddeler konusunda uzman bir kişiye danışın. Lütfen muhtemelen daha ayrıntılı olan ulusal yönetmeliklere de uyun.

Açık kontakları bantlayın ya da maskeleyin ve bataryayı paketin içinde hareket etmeyecek şekilde paketleyin.

11. Batarya kartuşunu bertaraf ederken aletten çıkarın ve güvenli bir yerde bertaraf edin. Bataryanın bertaraf edilmesi ile ilgili yerel düzenlemelere uyunuz.
12. Bataryaları sadece Makita tarafından belirtilen ürünlerle kullanın. Bataryaların uyumsuz ürünlere takılması; yangın, aşırı ısınma, patlama ya da elektrolit sızıntısına neden olabilir.
13. Alet uzun süre kullanılmayacaksa batarya aletten çıkarılmalıdır.
14. Kullanma sırasında ve sonrasında batarya kartuşu ısınarak yanıklara veya düşük sıcaklık yanıklarına yol açabilir. Sıcak batarya kartuşları ile işlem yaparken dikkat edin.
15. Yanıklara neden olabilecek kadar sıcak olabileceğinden kullandıktan hemen sonra aletin terminaline dokunmayın.
16. Batarya kartuşunun terminallerine, deliklerine ve kanallarına micir, toz veya toprak girmesine izin vermeyin. Aletin veya batarya kartuşunun ısınmasına, alev almasına, patlamasına ve arızalanmasına neden olarak yanıklara veya yaralanmaya yol açabilir.
17. Alet yüksek gerilim elektrik güç hatlarında kullanımı desteklemediği sürece batarya kartuşunu yüksek gerilim elektrik güç hatlarının yakınında kullanmayın. Aletin veya batarya kartuşunun arızalanmasına veya bozulmasına neden olabilir.
18. Bataryayı çocuklardan uzak tutun.

BU TALİMATLARI MUHAFAZA EDİNİZ.

⚠DİKKAT: Sadece orijinal Makita bataryalarını kullanın. Orijinal olmayan Makita bataryaları ya da üzerine değişiklik yapılmış bataryaların kullanımı bataryanın patlamasına ve sonuç olarak yangın, kişisel yaralanma ve hasara neden olabilir. Ayrıca Makita aleti ve şarj aletinin Makita tarafından sunulan garantisini geçersiz olur.

Maksimum batarya ömrü için ipuçları

1. Batarya kartuşunu tamamen boşalmadan önce şarj edin. Aletin gücünün zayıflamaya başladığını fark ettiğinizde aleti durdurun ve batarya kartuşunu şarj edin.
2. Tam dolu bir batarya kartuşunu asla yeniden şarj etmeyin. Aşırı şarj etme bataryanın hizmet ömrünü kısaltır.
3. Batarya kartuşunu 10 °C - 40 °C oda sıcaklığında şarj edin. Sıcak bir batarya kartuşunu şarj etmeden önce soğumasını bekleyin.
4. Batarya kartuşunu kullanılmıyorken aletten veya şarj aletinden çıkarın.
5. Uzun bir süre (altı aydan daha fazla) kullanmadığınız durumlarda batarya kartuşunu şarj edin.

MONTAJ

⚠UYARI: Makine üzerinde herhangi bir işlem yapmadan önce tüm batarya kartuşlarını çıkardığınızdan mutlaka emin olun. Tüm batarya kartuşlarının çıkarılmaması istemsiz olarak aletin başlatılması sonucu ciddi yaralanmalara neden olabilir.

⚠UYARI: Tamamen montajlanmadan önce çim biçme makinesini asla çalıştırmayın. Kısmen birleştirilmiş haldeyken makine ile çalışmak, makinenin istemsiz olarak başlatılması sonucu ciddi yaralanmalara neden olabilir.

Tutamağın takılması

ÖNEMLİ NOT: Tutamakları takarken kabloyu tutamakların arasına sıkıştırmamaya dikkat edin. Kablo hasar görürse, çim biçme makinesinin anahtarı çalışmayabilir.

1. Alt tutamaktaki deliği üst tutamaktaki delikle hizalayın, ardından civatayı dışarıdan sokun ve ardından tırtıllı somunu içeriden sıkın. Aynı işlemi diğer tarafta uygulayın.
► **Şek.1:** 1. Cıvata 2. Tırtıllı somun 3. Alt tutamak 4. Üst tutamak

2. Kilitleme pimini serbest bırakmak için alt tutamak üzerindeki topuzu çekerek topuzu 90° çevirin. Aynı işlemi diğer tarafta uygulayın. Tutamağı kaldırın ve ardından her iki taraftaki topuzu 90° çevirin. Topuzların sıkıca sabitlendiğinden emin olun.
► **Şek.2:** 1. Topuz

NOT: Tutamağı desteklemek, topuzu çekerken kilitleme pimini serbest bırakmayı kolaylaştırır.

NOT: Topuzu çevirirken kabloyu topuzun içine taktırmamaya dikkat edin.

- **Şek.3:** 1. Topuz

Malçlama tapasının çıkarılması

1. Arka kapağı açın.
► **Şek.4:** 1. Arka kapak
2. Malçlama tapasını hafifçe yukarı kaldırın ve ardından çıkarın.
► **Şek.5:** 1. Malçlama tapası

Çim sepetinin monte edilmesi

1. Çim sepetinin üst klipsini kaldırın.
► **Şek.6:** 1. Üst klips
2. Çerçevenin tutamağını tutarak çerçeveyi çim sepetine sonuna kadar sokun.
► **Şek.7:** 1. Tutamak

ÖNEMLİ NOT: Tutamağı çim sepetine sokmayın. Çerçeveyi çim sepetinin dikışı boyunca soktuğunuzdan emin olun.

3. Çim sepetinin köşelerinde sarkma olmadığından emin olun.
► **Şek.8**
4. Üst klipsi açın ve çerçeveye takın.
► **Şek.9**
5. Diğer tüm klipsleri şekilde gösterildiği gibi takın. Tüm klipslerin çerçeveye sıkıca takıldığından emin olun.
► **Şek.10:** 1. Klips

Çim sepetinin takılması veya çıkarılması

Çim sepetini takmak için aşağıdaki adımları izleyin.

1. Arka kapağı açın.
► **Şek.11:** 1. Arka kapak
2. Çim sepetinin tutamağını tutun ve ardından çim sepetini şekilde gösterildiği gibi çim biçme makinesi gövdesinin rotuna asın.
► **Şek.12:** 1. Çim sepeti 2. Tutamak 3. Rot

Çim sepetini çıkarmak için arka kapağı açın ve ardından çim sepetini tutamağı tutarak çıkarın.

Malçlama tapasının takılması

1. Arka kapağı açın, ve ardından çim sepetini çıkarın.
► **Şek.13:** 1. Arka kapak 2. Çim sepeti
2. Malçlama tapasının üzerindeki çıkıntılar makine üzerindeki deliklere geçecek şekilde malçlama tapasını, sonuna kadar ittirerek takın.
► **Şek.14:** 1. Malçlama tapası 2. Çıkıntı

Boşaltma kanalının takılması veya çıkarılması

Boşaltma kanalını takmak için aşağıdaki adımları izleyin.

1. Arka kapağı açın ve ardından çim sepetini ve malçlama tapasını çıkarın.
2. Boşaltma kanalının üzerindeki delikleri şekilde gösterildiği gibi çim biçme makinesi gövdesinin üzerindeki çıkıntılara geçirin.
► **Şek.15:** 1. Boşaltma kanalı 2. Çıkıntı

Boşaltma kanalını çıkarmak için arka kapağı açın ve ardından boşaltma kanalını çıkarın.

İŞLEVSEL NİTELİKLER

Batarya kartuşunun takılması ve çıkarılması

⚠️ DİKKAT: Batarya kartuşunu takip çıkarmadan önce makineyi mutlaka kapatın.

⚠️ DİKKAT: Batarya kartuşunu takarken veya çıkarırken makine ve batarya kartuşunu sıkıca tutun. Makinenin ve batarya kartuşunun sıkıca tutulmaması bunların düşürülmesine sebep olabilir; makine ve batarya kartuşunun zarar görmesine ya da ciddi yaralanmalara yol açabilir.

⚠️ DİKKAT: Kullanmadan önce batarya kapağını kilitlediğinizden emin olunuz. Aksi takdirde; çamur, kir veya su ürüne ya da batarya kartuşuna zarar verebilir.

⚠️ DİKKAT: Batarya kartuşunu her zaman kırmızı gösterge görünmeyecek şekilde tam olarak yerine oturtun. Aksi takdirde, makineden kayıp düşebilir ve operatörün veya çevredeki kişilerin yaralanmasına neden olabilir.

⚠️ DİKKAT: Batarya kartuşunu zorlayarak takmaya çalışmayın. Kartuş kolayca kaymıyorsa doğru yerleştirilmemiş demektir.

⚠️ DİKKAT: Batarya kartuşunu takarken veya çıkarırken batarya kapağını sıkıca tutun.

Batarya kartuşunu takmak için;

1. Kilitleme kolunu yukarı çekin ve ardından batarya kapağını açın.
► **Şek.16:** 1. Batarya kapağı 2. Kilitleme kolu
2. Batarya kartuşunun üzerindeki dili makinenin üzerindeki yuvayla hizalayın ve ardından kartuşu hafif bir tık sesi duyulup yerine kilitlenene kadar kaydırın.
► **Şek.17:** 1. Batarya kartuşu

3. Batarya kapağını kapatın ve kilitleme kolu ile iterek kilitlenene kadar itin.

Batarya kartuşunu çıkarmak için;

1. Kilitleme kolunu yukarı çekin ve batarya kapağını açın.
2. Kartuşun ön tarafındaki düğmeyi kaydırarak batarya kartuşunu makineden çekip çıkarın.
3. Batarya kapağını kapatın.

Makine / batarya koruma sistemi

Makine bir makine/batarya koruma sistemi ile donatılmıştır. Bu sistem makine ve batarya ömrünü uzatmak için motorun gücünü otomatik olarak keser. Makine veya batarya için aşağıdaki durumlardan biri söz konusu olduğunda makinenin işleyişi otomatik olarak durur:

Aşırı yük koruması

Batarya, anormal derecede yüksek akım çekmesine neden olacak şekilde kullanıldığında, makine otomatik olarak durur ve ana güç lambası yeşil yanıp söner. Bu durumda makineyi kapatın ve makinenin aşırı yüklenmesine neden olan uygulamayı kesin. Ardından makineyi açarak yeniden çalıştırın.

Aşırı ısınma koruması

Makine aşırı ısındığında makine otomatik olarak durur ve ana güç lambası kırmızı yanar. Bu durumda, yeniden çalıştırmadan önce makine ve bataryaların soğumasını bekleyin.

NOT: Batarya aşırı ısındığında ana güç lambası kırmızı yanıp söner.

Aşırı deşarj koruması

Batarya kapasitesi yeterli değilse makine otomatik olarak durur ve ana güç lambası kırmızı yanıp söner. Bu durumda, bataryayı makineden çıkarın ve batarya kartuşlarını şarj edin veya batarya kartuşlarını tam şarjlı olanlarla değiştirin.

Diğer nedenlere karşı korumalar

Koruma sistemi, makineye zarar verebilecek diğer nedenler için de tasarlanmıştır ve makinenin otomatik olarak durmasını sağlar. Makine çalışırken geçici duraklama veya durma yaparsa nedenleri ortadan kaldırmak için aşağıdaki tüm adımları uygulayın.

1. Makineyi kapatın ve ardından tekrar açarak yeniden çalıştırın.
2. Bataryaları şarj edin veya şarjlı bataryalarla değiştirin.
3. Makinenin ve bataryaların soğumasını bekleyin.

Koruma sistemi eski haline getirilerek ilerleme kaydedilemezse yerel Makita Servis Merkezinize başvurun.

ÖNEMLİ NOT: Makine yukarıda açıklanmayan bir nedenle durursa sorun giderme kısmına bakın.

Kalan batarya kapasitesinin gösterilmesi

- **Şek.18:** 1. Batarya göstergesi

Kalan batarya kapasitesi düşük olduğunda, söz konusu batarya tarafındaki batarya göstergesi yanıp söner. Kullanılmaya devam edildiğinde, makine durur ve batarya göstergesi yanar. Bu durumda, batarya kartuşunu şarj edin.

NOT: İki batarya kartuşu takılıysa önce sol tarafa takılı olan batarya kullanılır.

NOT: İki batarya kartuşu takılıysa kullanımda olan batarya boşaldığında makine otomatik olarak batarya değiştirir.

Kalan batarya kapasitesinin gösterilmesi

Kalan batarya kapasitesini göstermesi için batarya kartuşu üzerindeki kontrol düğmesine basın. Gösterge lambaları birkaç saniye yanar.

► **Şek.19:** 1. Gösterge lambaları 2. Kontrol düğmesi

Gösterge lambaları			Kalan kapasite
Yanıyor	Kapalı	Yanıp söniyor	
■	□	▬	
■ ■ ■ ■			%75 ila %100
■ ■ ■ □			%50 ila %75
■ ■ □ □			%25 ila %50
■ □ □ □			%0 ila %25
▬ □ □ □			Bataryayı şarj edin.
■ ■ □ □	↑ ↓	□ □ ■ ■	Batarya arızalanmış olabilir.

NOT: Kullanım koşullarına ve ortam sıcaklığına bağlı olarak, gösterilen değer gerçek kapasiteden biraz farklılık gösterebilir.

NOT: İlk (en soldaki) gösterge lambası, batarya koruma sistemi çalıştığı anda yanıp söner.

Kumanda paneli

Kumanda panelinde ana güç düğmesi ve mod değiştirme düğmesi bulunur.

► **Şek.20:** 1. Yumuşak yüksüz mod lambası 2. Gürültü azaltma modu lambası 3. Mod değiştirme düğmesi 4. Ana güç lambası 5. Ana güç düğmesi

Ana güç düğmesi

UYARI: Kullanımda değilken ana güç anahtarını daima kapatın.

Makineyi açmak için, ana güç düğmesine basın. Ana güç lambası yeşil yanar. Makineyi kapatmak için, ana güç düğmesine yeniden basın.

NOT: Ana güç lambası kırmızı yanar veya kırmızı ya da yeşil yanıp sönerse makine/batarya koruma sistemi için talimatlara bakın.

NOT: Bu makine otomatik güç kapama fonksiyonu kullanır. Yanlışlıkla çalışmaları engellemek için ana güç düğmesi açıldıktan sonra belirli bir süre boyunca anahtar kolu veya sürme kolu (varsa) çekilmezse ana güç düğmesi otomatik olarak kapanır.

Mod değiştirme düğmesi

Mod değiştirme düğmesine basarak çalışma modunu değiştirebilirsiniz. Makine açıldığında makine normal moda başlar.

Her mod için aşağıdaki tabloya bakın.

Mod	Lamba	Açıklama
Normal mod	Hem yumuşak yüksüz mod lambası hem de gürültü azaltma modu lambası kapalıdır.	Makine normal moda çalışır.
Yumuşak yüksüz mod	Yumuşak yüksüz mod lambası yeşil yanar.	Başlangıç şokunu en aza indirebilir ve makineyi rahatça başlatabilirsiniz.
Gürültü azaltma modu	Gürültü azaltma modu lambası yeşil yanar.	Çim biçme sırasındaki gürültüyü azaltabilirsiniz.

Anahtar işlemi

UYARI: Batarya kartuşunu takmadan önce, anahtar kolunun düzgün çalıştığından ve bırakıldığında orijinal pozisyona döndüğünden emin olun. Makinenin, anahtar düzgün çalışmıyorken kullanılması kontrolün kaybedilmesine ve ciddi yaralanmalara neden olabilir.

NOT: Çim biçme makinesi, anahtar kolu çekilse de anahtar düğmesine basmadan çalışmaz.

NOT: Çok uzun ya da sık çimleri tek seferde biçmeye kalkışırsanız çim biçme makinesi aşırı yüklenmeden dolayı çalışmayabilir. Bu durumda, biçme yüksekliğini artırın.

Bu makine anahtar düğmesi ile donatılmıştır. Anahtar düğmesiyle ilgili anormal bir şey fark ederseniz, derhal kullanımı durdurun ve size en yakın Makita Yetkili Servis Merkezine kontrol ettirin.

1. Batarya kartuşlarını takın ve ardından batarya kapağını kapatın.
2. Ana güç düğmesine basın.

NOT: Anahtar kolunu çekerken ana güç düğmesine basarsanız ana güç lambası yeşil yanıp söner. Ana güç düğmesine basmadan önce anahtar kolunu bırakın.

3. Anahtar düğmesini basılı tutarken anahtar kolunu kendinize doğru çekin. Motor çalışmaya başladığında anahtar düğmesini bırakın.

► **Şek.21:** 1. Anahtar düğmesi 2. Anahtar kolu

4. Anahtar kolunu tutarken arka tekerlekleri sürmek için sürme kolunu ileri doğru ittirip tutun.

► **Şek.22:** 1. Sürme kolu

NOT: Sürme kolunu ileri doğru ittirip tutarak, anahtar kolunu çekmeden arka tekerlekleri sürebilirsiniz.

5. Makineyi durdurmak için sürme kolunu ve anahtar kolunu serbest bırakın.

Biçme yüksekliğinin ayarlanması

UYARI: Biçme yüksekliğini ayarlarken ellerinizi ve ayaklarınızı asla çim biçme makinesinin gövdesinin altına koymayın.

UYARI: Kullanmadan önce kolun oluğa tam olarak oturduğundan daima emin olun.

Biçme yüksekliği 20 mm ile 100 mm arasında ayarlanabilir.

Makineyi kapatın ve ardından biçme yüksekliği ayarlama kolunu çim biçme makinesi gövdesinin dışına doğru çekerek istediğiniz biçme yüksekliğine getirin.

► **Şek.23:** 1. Biçme yüksekliği ayarlama kolu

Aşağıdaki tabloda çim biçme makinesinin gövdesindeki rakam ile yaklaşık biçme yüksekliği arasındaki ilişki gösterilmiştir.

Rakam	Biçme yüksekliği
1	20 mm
2	26 mm
3	32 mm
4	39 mm
5	47 mm
6	55 mm
7	63 mm
8	74 mm
9	86 mm
10	100 mm

Alt tutamağı bir elinizle tutun ve ardından biçme yüksekliği ayarlama kolunu diğer elinizle hareket ettirin.

► **Şek.24:** 1. Biçme yüksekliği ayarlama kolu 2. Alt tutamak

NOT: Biçme yüksekliği rakamları bir kılavuz olarak kullanılmalıdır. Çimin ya da zeminin durumuna bağlı olarak, gerçek çim yüksekliği ayarlanan yükseklikten çok az farklılık gösterebilir.

NOT: İsteddiğiniz yüksekliği elde etmek için az görünen bir yerdeki çimleri biçerek deneyin.

Çim seviyesi göstergesi

Çim seviyesi göstergesi biçilen çimin miktarını gösterir. Çim sepeti dolu olmadığında bıçaklar çalışırken göstergede gezinir.

► **Şek.25:** 1. Çim seviyesi göstergesi

Çim sepeti neredeyse dolduğunda bıçaklar çalışırken göstergede gezinmez. Bu durumda, çalışmayı hemen durdurun ve sepeti boşaltın.

► **Şek.26:** 1. Çim seviyesi göstergesi

NOT: Bu göstergede yaklaşık bir fikir verecek şekilde kullanılmalıdır. Sepetin içindekilerin durumuna bağlı olarak göstergede düzgün çalışmayabilir.

Tutamak yüksekliğinin ayarlanması

Tutamak yüksekliği iki seviyede ayarlanabilir.

1. Alt tutamağı tutun ve ardından kilitleme pimini serbest bırakmak için alt tutamak üzerindeki topuzu çekerek topuzu 90° çevirin. Aynı işlemi diğer tarafta uygulayın.

► **Şek.27:** 1. Alt tutamak 2. Topuz

NOT: Tutamağı desteklemek, topuzu çekerken kilitleme pimini serbest bırakmayı kolaylaştırır.

2. Tutamak yüksekliğini ayarlayın ve ardından her iki taraftaki topuzu 90° çevirin. Topuzların sıkıca sabitlendiğinden emin olun.

► **Şek.28:** 1. Topuz

Seyahat hızının ayarlanması

► **Şek.29:** 1. Hız kolu

Seyahat hızı, hız kolu ile ayarlanabilir. Hızı düşürmek için kolu kendinize doğru çekin, hızı artırmak için kolu ileri doğru çevirin.

Malçlama tapasının kullanılması

Malçlama tapası, kesilen çimi çim sepetinde toplama dan toprağa bırakmanızı sağlar. Makineyi malçlama tapası ile kullanırken çim sepetini veya boşaltma kanalını mutlaka çıkarın.

ÖNEMLİ NOT: Makineyi malçlama tapası ile kullanırken biçmeden sonra çimin toplam uzunluğunun 30 mm veya daha fazla ve biçme uzunluğunun 15 mm veya daha az olduğundan emin olun.

► **Şek.30:** (1) 30 mm veya daha fazla (2) 15 mm veya daha az

Boşaltma kanalının kullanılması

Boşaltma kanalı, kesilen çimi çim sepetinde toplama dan makinenin sağ tarafından toprağa boşaltmanızı sağlar. Makineyi boşaltma kanalı ile kullanırken çim sepetini ve malçlama tapasını mutlaka çıkarın.

Arkadan boşaltmanın kullanılması

Arkadan boşaltmanın kullanılması, kesilen çimi çim sepetinde toplama dan makinenin arka tarafından toprağa boşaltmanızı sağlar.

Makineyi arkadan boşaltma ile kullanırken mutlaka malçlama tapasını ve çim sepetini veya boşaltma kanalını çıkarın ve arka kapağı kapatın.

Elektronik fonksiyonu

Makine, kolay kullanım için elektronik fonksiyonlarla donatılmıştır.

- Sürekeren yumuşak başlama
Yumuşak başlama fonksiyonu başlangıç şoklarını en alt düzeye indirir ve makinenin daha rahat başlamasını sağlar.
- Elektrikli fren
Bu makine bir elektrikli fren ile donatılmıştır. Makine, anahtar kol bırakıldıktan sonra sürekli olarak çim biçme makinesi bıçaklarını çabucak durduramıyorsa makineye Makita Yetkili Servis Merkezinde bakım yaptırın.

KULLANIM

Çim biçme

⚠UYARI: Çim biçmeye başlamadan önce biçme alanındaki kalın dalları ve taşları kaldırın. Ayrıca yabancı otları da biçme alanından önceden temizleyin.

⚠UYARI: Çim biçme makinesini kullanırken daima yanları korumalı güvenlik gözlükleri takın.

⚠DİKKAT: Kesilen çim veya yabancı madde çim biçme makinesi gövdesinin içinde sıkışırsa çim veya yabancı maddeleri çıkarmadan önce mutlaka batarya kartuşlarını çıkarın ve eldiven giyin.

ÖNEMLİ NOT: Bu makineyi sadece çim biçmek için kullanın. Bu makine ile ot biçmeyin.

► Şek.31

Biçme sırasında, tutamakları her iki elinizle sıkıca tutun. Çim biçme hızı prensip olarak 10 saniyede yaklaşık 7 ila 14 metredir.

► Şek.32

NOT: Uzun çim veya yoğun çim biçerken biçme sonrasında çim uzunluğunda eşitsizlik veya kötü yüzey bulunursa ya da biçme sırasında motor hızının düştüğü tespit edilirse biçme hızını, bu kılavuzda önerilen hızdan daha aşağı düşürün veya biçme yüksekliğini artırın.

Ön tekerleklerin merkez çizgileri, biçme genişliği için referanstır. Merkez çizgileri referans olarak kullanarak şeritler halinde biçin. Çimi eşit biçmek için önceki şeridin genişliğinin ikide bir ile üçte bir oranında bir kısmının üstünden tekrar geçecek şekilde biçin.

► **Şek.33:** 1. Biçme genişliği 2. Örtüşen kısım 3. Merkez çizgisi

Çim deseninin tek yönde oluşmasını engellemek için biçme yönünü her seferinde değiştirin.

► Şek.34

Çim sepetindeki biçilen çimi periyodik olarak kontrol edin. Dolmadan önce çim sepetini boşaltın. Her periyodik kontrol öncesinde makineyi mutlaka durdurun ve kapatın.

ÖNEMLİ NOT: Çim biçme makinesini çim sepeti dolu olarak kullanmak bıçakların düzgün bir şekilde dönmesini engeller ve motora aşırı yük bindirir, bu da arızaya sebep olabilir.

Uzun çimlerin biçilmesi

Uzun çimlerin tümünü tek seferde biçmeye çalışmayın. Bunun yerine, çimi adımlar halinde biçin. Çim eşit bir biçimde kısılana kadar biçme işlemleri arasında bir veya iki gün bırakın.

► Şek.35

NOT: Uzun çimlerin tümünün tek seferde kısaltılması çimin ölmesine neden olabilir. Kesilen çimler çim biçme makinesinin gövdesinin içinde tıkanıklığa sebep olabilir.

NOT: Biçme sonrasında çim uzunluğunda eşitsizlik veya kötü yüzey bulunursa ya da biçme sırasında motor hızının düştüğü tespit edilirse biçme hızını düşürün veya biçme yüksekliğini artırın.

Çim sepetinin boşaltılması

⚠UYARI: Kaza riskini azaltmak için, çim sepetinde herhangi bir hasar ya da gücünde herhangi bir zayıflama olup olmadığını düzenli olarak kontrol edin. Gerekirse, çim sepetini değiştirin.

1. Anahtar kolunu ve sürme kolunu bırakın.
2. Makineyi kapatın.
3. Arka kapağı açın ve çim sepetini tutamağı tutarak çıkarın.
► **Şek.36:** 1. Arka kapak 2. Tutamak 3. Çim sepeti
4. Çim sepetini boşaltın.

BAKIM

⚠UYARI: Makineyi saklamadan veya taşımadan ya da kontrol veya bakım yapmadan önce tüm batarya kartuşlarının makineden çıkarıldığından daima emin olun.

⚠UYARI: Kontrol veya bakım işlemi yapmadan önce eldiven giyin.

⚠UYARI: Kontrol veya bakım yaparken daima yanları korumalı güvenlik gözlükleri takın.

ÖNEMLİ NOT: Benzin, tiner, alkol ve benzeri maddeleri kesinlikle kullanmayın. Renk değişimi, deformasyon veya çatlaklar oluşabilir.

Aleti EMNİYETLİ ve ÇALIŞMAYA HAZIR durumda tutmak için onarımlar, başka her türlü bakım ve ayarlamalar daima Makita yedek parçaları kullanılarak Makita yetkili servis merkezleri veya Fabrikasının Servis Merkezleri tarafından yapılmalıdır.

Bakım

1. Tüm batarya kartuşlarını çıkarın ve ardından batarya kapağını kapatın.
2. Çim biçme makinesini yan yatırın. Çim biçme makinesinin gövdesinin alt tarafında biriken çim parçalarını temizleyin.
3. Suyu, biçme takılı olduğu makinenin alt tarafına doğru dökün.

ÖNEMLİ NOT: Makineyi yüksek basınçlı su ile yıkamayın.

4. Tüm somunların, civataların, vidaların vb. sıklılığını kontrol edin.
5. Hareketli parçaları, hasar, kırılma ve aşınmalara karşı kontrol edin. Hasarlı ya da eksik parçalar tamir edilmeli ya da değiştirilmelidir.
6. Çim biçme makinesini çocukların ulaşamayacağı güvenli bir yerde depolayın.

ÖNEMLİ NOT: Şekilde gösterilen kısma su dökmeyin. Motor ünitesine su dökülmesi makinenin arızalanmasına neden olabilir.

► **Şek.37:** 1. Su dökülmemesi gereken kısım

ÖNEMLİ NOT: Şekilde gösterildiği gibi makine dik konumdayken makinenin üzerine su dökmeyin. Makine dik konumda ise su motor ünitesine dökülebilir ve makinenin arızalanmasına neden olabilir.

► **Şek.38**

Çim biçme makinesinin taşınması

⚠DİKKAT: Çim biçme makinesini taşımadan önce tüm batarya kartuşlarının çıkarılmış olduğundan emin olun.

Çim biçme makinesini taşıırken arka kavrama kolunu ve makinenin ön tarafındaki alt tutma parçasını şekilde gösterildiği gibi iki kişi ile tutun.

► **Şek.39:** 1. Alt tutma parçası 2. Arka kavrama kolu

Depolama

⚠DİKKAT: Makineyi dik konumda koyarken makineyi düz ve sabit bir yüzeye yerleştirin. Makine sabit olmayan bir yüzeye yerleştirilirse makine düşebilir ve yaralanmaya neden olabilir.

Çim biçme makinesini serin, kuru ve kilimli bir yerde saklayın. Çim biçme makinesini ve şarj aletini sıcaklığın 40 °C'ye ulaştığı ya da bu dereceyi geçtiği ortamlarda saklamayın.

1. Tüm batarya kartuşlarını çıkarın.
2. Kilitleme pimini serbest bırakmak için alt tutamak üzerindeki topuzu çekerek topuzu 90° çevirin. Aynı işlemi diğer tarafta uygulayın ve ardından tutamağı katlayın.

► **Şek.40:** 1. Topuz

NOT: Tutamağı desteklemek, topuzu çekerken kilitleme pimini serbest bırakmayı kolaylaştırır.

3. Her iki taraftaki topuzu 90° çevirin. Topuzların sıkıca sabitlendiğinden emin olun.

► **Şek.41:** 1. Topuz

ÖNEMLİ NOT: Tutamağı katlarken kabloları sıkıştırmamaya dikkat edin.

4. Her iki taraftaki tırtıllı somunları gevşetin ve ardından şekilde gösterildiği gibi üst tutamağı katlayın.

► **Şek.42:** 1. Tırtıllı somun 2. Üst tutamak

5. Makineyi dik konumda yerleştirin.

NOT: Çim biçme makinesini dik konumda yerleştirirken sadece tutamaktan değil, çim biçme makinesinin gövdesinden ve tutamaktan tutun.

6. Çim sepetini şekilde gösterildiği gibi depolayın.

► **Şek.43:** 1. Çim sepeti

► **Şek.44:** 1. Çim sepeti

Çim biçme makinesi bıçağının takılması veya çıkarılması

⚠UYARI: Anahtar bırakıldıktan sonra bıçak birkaç saniye dönmeye devam edebilir. Bıçak tamamen durana kadar hiçbir işlem yapmaya başlamayın.

⚠UYARI: Bıçağı takarken veya çıkarırken tüm batarya kartuşlarını daima çıkarın. Tüm batarya kartuşlarının çıkarılmaması ciddi yaralanmalara sebep olabilir.

⚠UYARI: Bıçak üzerinde bir işlem yaparken daima eldiven kullanın.

ÖNEMLİ NOT: Çim biçme makinesini bıçağını çıkarıp takarken makine ambalajında verilen lokma anahtarını kullanın.

Çim biçme makinesini bıçağının çıkarılması

1. Çim biçme makinesini biçme yüksekliği ayarlama kolu üst tarafa gelecek şekilde yan yatırın.
2. Bıçağı kilitlemek için, pimi çim biçme makinesinin gövdesi üzerindeki deliğe sonuna kadar sokun.
3. Cıvatayı 17 numara lokma anahtarıyla saatin aksi yönünde çevirin.

► **Şek.45:** 1. Çim biçme makinesini bıçağı 2. Pim 3. Lokma anahtarı

4. Cıvatayı ve ardından bıçağı çıkarın.

► **Şek.46:** 1. Bıçak desteği 2. Çim biçme makinesini bıçağı 3. Cıvata 4. Çıkıntı

ÖNEMLİ NOT: Çim biçme makinesini bıçağını takarken bıçak desteğinin üzerindeki çıkıntıların çim biçme makinesini bıçağındaki deliklere oturduğundan emin olun.

Çim biçme makinesini bıçağının takılması

⚠UYARI: Çim biçme makinesini bıçağını dikkatlice takın. Bıçak bir üst/alt yüzeye sahiptir.

⚠UYARI: Bıçağı sabitlemek için cıvatayı saat yönünde iyice sıkılayın.

⚠UYARI: Çim biçme makinesini bıçağının ve tüm sabitleme parçalarının doğru şekilde takıldığından ve iyice sıkıldığından emin olun.

⚠UYARI: Bıçakları değiştirdiğinizde, daima bu kılavuzda sunulan talimatları izleyin.

ÖNEMLİ NOT: Çim biçme makinesini bıçaklarını taktıktan sonra pimi çim biçme makinesinin gövdesinden çıkarın.

ÖNEMLİ NOT: Çim biçme makinesini bıçağını takmak için cıvatayı sıkarken sıkma torku olarak 19 - 29 N·m uygulayın (değerler yalnızca referans amaçlıdır).

Çim biçme makinesini bıçaklarını takmak için, çıkarma prosedürünü tersinden izleyin.

SORUN GİDERME

Onarım için servise gitmeden önce kontrolleri yapın. Kılavuzda açıklanmayan bir problemle karşılaşırsanız makineyi parçalarına ayırmaya çalışmayın. Bunun yerine, Makita Yetkili Servis Merkezlerine başvurun ve daima orijinal Makita yedek parçaları kullanın.

Anormal durum	Olası nedeni (arıza)	Çözümü
Çim biçme makinesi başlatılmıyor.	Batarya kartuşu takılı değil.	Şarjlı batarya kartuşunu takın.
	Batarya sorunu (voltaj yetersiz)	Batarya kartuşunu şarj edin. Şarj etmek işe yaramıyorsa, batarya kartuşunu değiştirin.
Kısa bir süre kullanımdan sonra motor duruyor.	Bataryanın şarj seviyesi düşük.	Batarya kartuşunu şarj edin. Şarj etmek işe yaramıyorsa, batarya kartuşunu değiştirin.
	Kesim yüksekliği çok düşük ayarlanmış.	Kesim yüksekliğini artırın.
	Kesilen çim çim biçme makinesine tıkanmış.	Tıkanan çimi çim biçme makinesinden çıkarın.
Motor maksimum dev/dak oranına ulaşmıyor.	Batarya kartuşu düzgün takılmamış.	Batarya kartuşunu bu kılavuzda açıklandığı gibi takın.
	Batarya gücü düşüyor.	Batarya kartuşunu şarj edin. Şarj etmek işe yaramıyorsa, batarya kartuşunu değiştirin.
	Sürüş sistemi doğru işlemiyor.	Yerel yetkili servis merkezinden yardım isteyin.
Çim biçme makinesi bıçağı dönmüyor: ⇒ Çim biçme makinesini hemen durdurun!	Bıçağın kenarına yabancı bir cisim, örn. bir dal parçası takılmış.	Yabancı cismi çıkarın.
	Sürüş sistemi doğru işlemiyor.	Yerel yetkili servis merkezinden yardım isteyin.
Anormal vibrasyon: ⇒ Çim biçme makinesini hemen durdurun!	Bıçak dengesiz, aşırı derecede ya da bir tarafı daha fazla olacak şekilde aşınmış.	Bıçağı değiştirin.

İSTEĞE BAĞLI AKSESUARLAR

⚠ DİKKAT: Bu aksesuarlar ve ek parçalar bu el kitabında belirtilen Makita makineniz ile kullanılmak için tavsiye edilmektedir. Herhangi başka bir aksesuar ya da ek parça kullanılması insanlar için bir yaralanma riski getirebilir. Aksesuarları ya da ek parçaları yalnızca belirtilmiş olan kullanım amaçlarına uygun olarak kullanın.

Bu aksesuarlarla ilgili daha fazla bilgiye ihtiyaç duyarsanız bulunduğunuz yerdeki yetkili Makita servisine başvurun.

- Çim biçme makinesi bıçağı
- Orijinal Makita batarya ve şarj aleti

NOT: Listedeki bazı kalemler ürünün ambalajında standart aksesuar olarak yer alabilir. Bunlar ülkeden ülkeye farklılık gösterebilir.

Makita Europe N.V.

Jan-Baptist Vinkstraat 2, 3070 Kortenberg, Belgium

Makita Corporation

3-11-8, Sumiyoshi-cho, Anjo, Aichi 446-8502 Japan

www.makita.com



885993A997
EN, FR, DE, IT, NL,
ES, PT, EL, TR
20231116