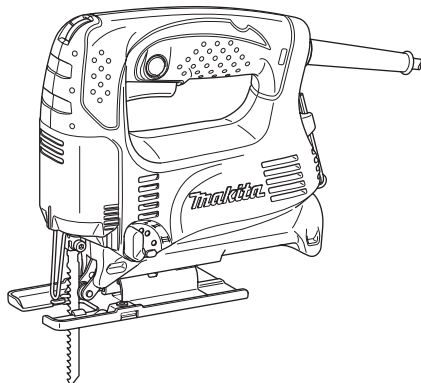




EN	Jig Saw	INSTRUCTION MANUAL	5
RU	Лобзик	РУКОВОДСТВО ПО ЭКСПЛУАТАЦИИ	12
KK	Қыл ара	ПАЙДАЛАНУ ЖӨНІНДЕГІ НҰСҚАУЛЫҚ	21

4326
4327
4328
4329



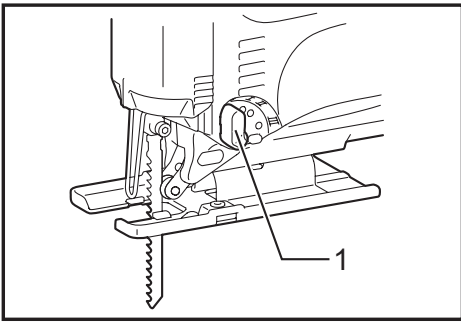


Fig.1

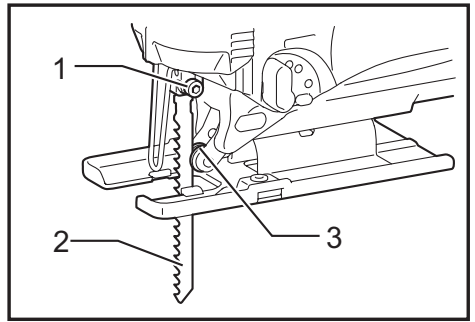


Fig.5

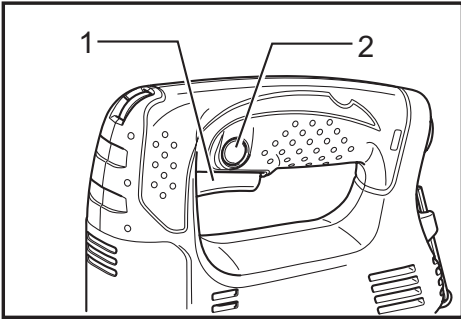


Fig.2

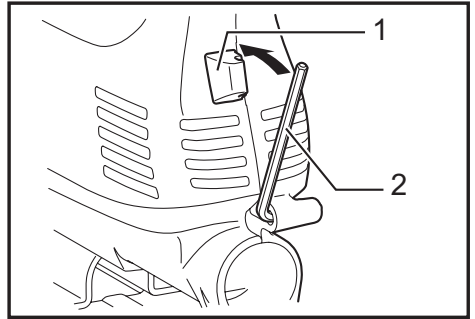


Fig.6

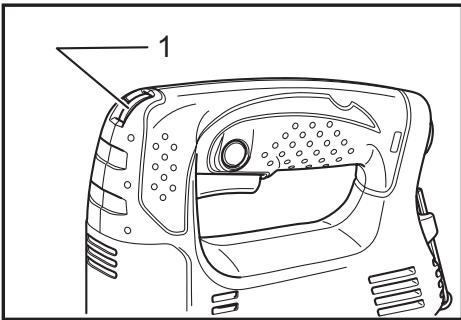


Fig.3

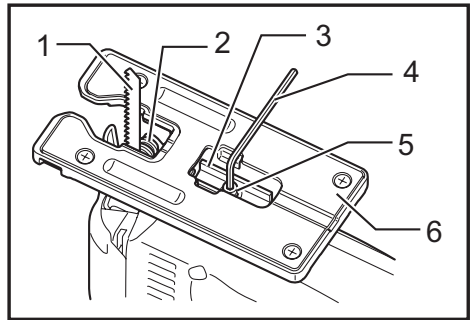


Fig.7

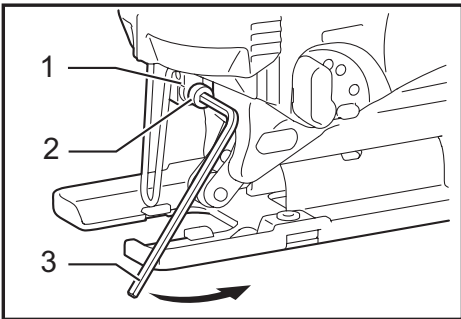


Fig.4

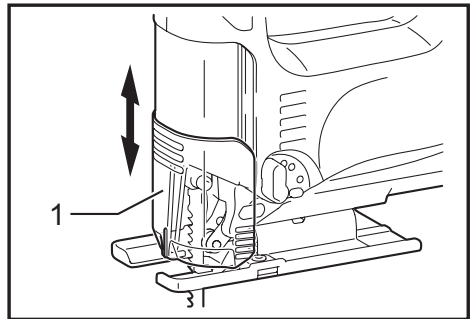


Fig.8

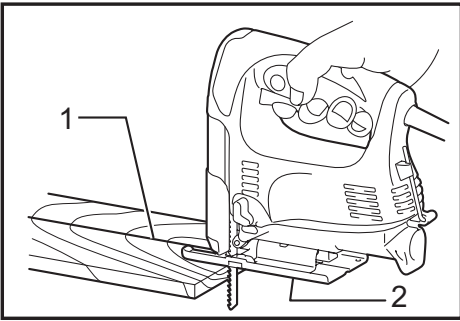


Fig.9

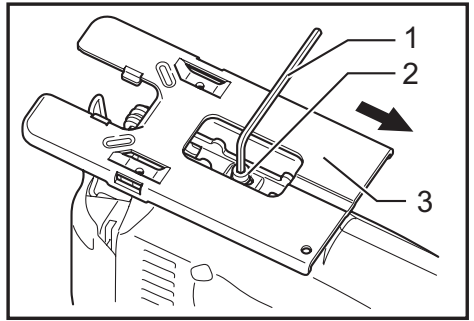


Fig.13

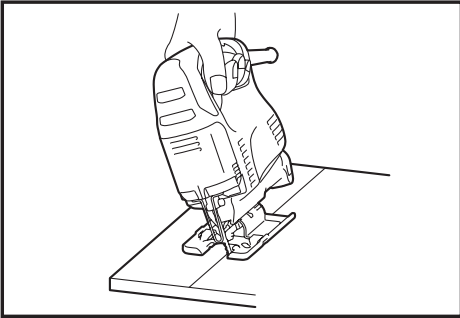


Fig.10

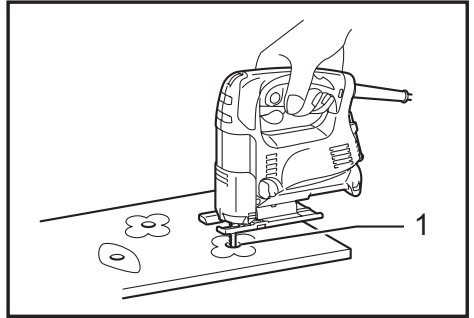


Fig.14

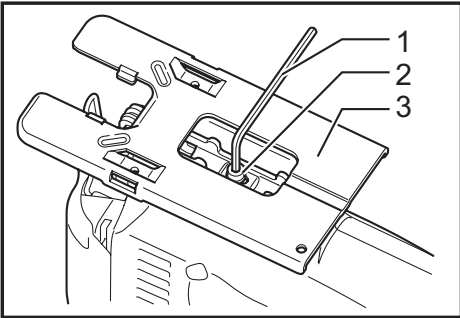


Fig.11

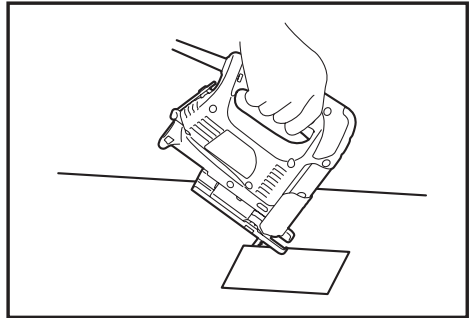


Fig.15

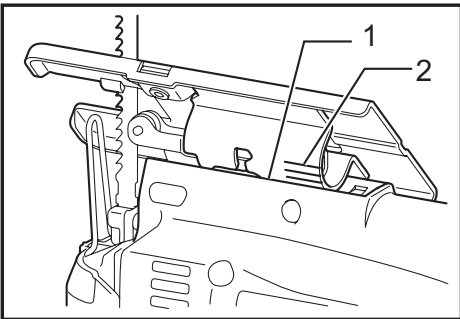


Fig.12

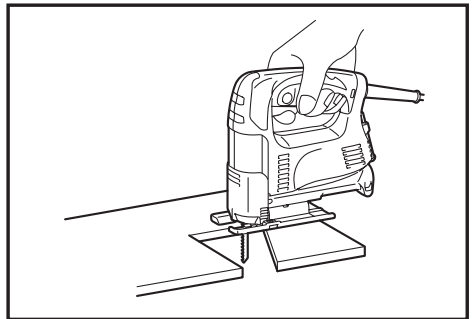


Fig.16

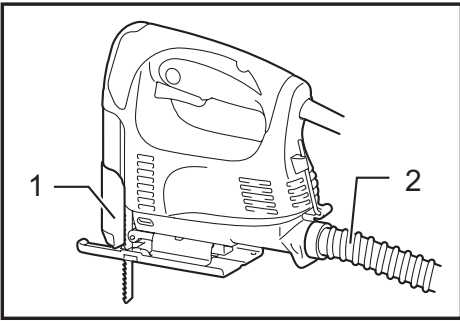


Fig.17

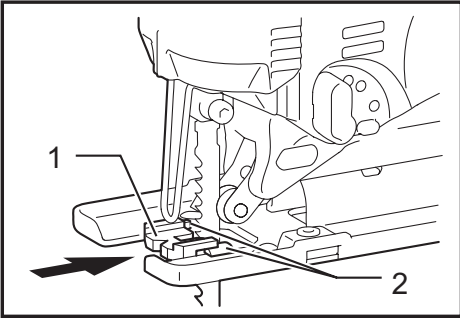


Fig.26

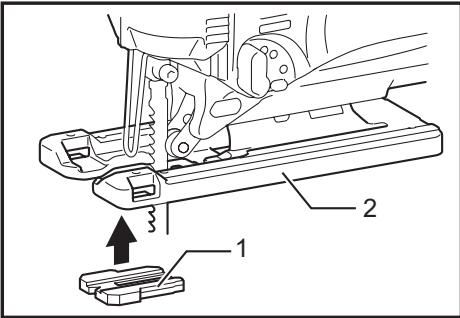


Fig.27

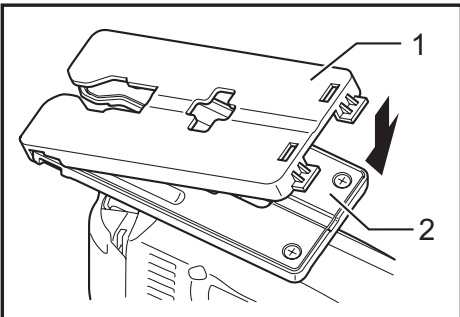


Fig.28

SPECIFICATIONS

Model	4326	4327	4328	4329	
Length of stroke	18 mm	18 mm	18 mm	18 mm	
Blade type	B type				
Max. cutting capacities	Wood	65 mm	65 mm	65 mm	65 mm
	Mild steel	6 mm	6 mm	6 mm	6 mm
Strokes per minute (min ⁻¹)	3,100	500 - 3,100	500 - 3,100	500 - 3,100	
Overall length	217 mm (Steel base type)	217 mm (Steel base type)	217 mm	223 mm	
	223 mm (Aluminum base type)	223 mm (Aluminum base type)			
Net weight	1.9 kg	1.9 kg	1.8 kg	1.9 kg	
Safety class	II	II	II	II	

- Due to our continuing program of research and development, the specifications herein are subject to change without notice.
- Specifications may differ from country to country.
- Weight according to EPTA-Procedure 01/2014

Symbols

The following show the symbols used for the equipment. Be sure that you understand their meaning before use.



Read instruction manual.



DOUBLE INSULATION



Only for EU countries
Do not dispose of electric equipment together with household waste material! In observance of the European Directive, on Waste Electric and Electronic Equipment and its implementation in accordance with national law, electric equipment that have reached the end of their life must be collected separately and returned to an environmentally compatible recycling facility.

Intended use

The tool is intended for the sawing of wood, plastic and metal materials. As a result of the extensive accessory and saw blade program, the tool can be used for many purposes and is very well suited for curved or circular cuts.

Power supply

The tool should be connected only to a power supply of the same voltage as indicated on the nameplate, and can only be operated on single-phase AC supply. They are double-insulated and can, therefore, also be used from sockets without earth wire.

Noise

The typical A-weighted noise level determined according to EN62841-2-11:

Model 4326,4327

Sound pressure level (L_{pA}): 86 dB (A)
Sound power level (L_{WA}): 97 dB (A)
Uncertainty (K): 3 dB (A)

Model 4328,4329

Sound pressure level (L_{pA}): 83 dB (A)
Sound power level (L_{WA}): 94 dB (A)
Uncertainty (K): 3 dB (A)

NOTE: The declared noise emission value(s) has been measured in accordance with a standard test method and may be used for comparing one tool with another.

NOTE: The declared noise emission value(s) may also be used in a preliminary assessment of exposure.

WARNING: Wear ear protection.

WARNING: The noise emission during actual use of the power tool can differ from the declared value(s) depending on the ways in which the tool is used especially what kind of workpiece is processed.

WARNING: Be sure to identify safety measures to protect the operator that are based on an estimation of exposure in the actual conditions of use (taking account of all parts of the operating cycle such as the times when the tool is switched off and when it is running idle in addition to the trigger time).

Vibration

The vibration total value (tri-axial vector sum) determined according to EN62841-2-11:

Model 4326,4327

Work mode : cutting boards
Vibration emission ($a_{h,B}$): 5.5 m/s²
Uncertainty (K): 1.5 m/s²

Work mode : cutting sheet metal
Vibration emission ($a_{h,M}$): 5.5 m/s²
Uncertainty (K): 1.5 m/s²

Model 4328,4329

Work mode : cutting boards
Vibration emission ($a_{h,B}$): 7.0 m/s²
Uncertainty (K): 1.5 m/s²

Work mode : cutting sheet metal
Vibration emission ($a_{h,M}$) : 5.0 m/s²
Uncertainty (K) : 1.5 m/s²

NOTE: The declared vibration total value(s) has been measured in accordance with a standard test method and may be used for comparing one tool with another.

NOTE: The declared vibration total value(s) may also be used in a preliminary assessment of exposure.

⚠WARNING: The vibration emission during actual use of the power tool can differ from the declared value(s) depending on the ways in which the tool is used especially what kind of workpiece is processed.

⚠WARNING: Be sure to identify safety measures to protect the operator that are based on an estimation of exposure in the actual conditions of use (taking account of all parts of the operating cycle such as the times when the tool is switched off and when it is running idle in addition to the trigger time).

EC Declaration of Conformity

For European countries only

The EC declaration of conformity is included as Annex A to this instruction manual.

General power tool safety warnings

⚠WARNING: Read all safety warnings, instructions, illustrations and specifications provided with this power tool. Failure to follow all instructions listed below may result in electric shock, fire and/or serious injury.

Save all warnings and instructions for future reference.

The term "power tool" in the warnings refers to your mains-operated (corded) power tool or battery-operated (cordless) power tool.

Work area safety

1. **Keep work area clean and well lit.** Cluttered or dark areas invite accidents.
2. **Do not operate power tools in explosive atmospheres, such as in the presence of flammable liquids, gases or dust.** Power tools create sparks which may ignite the dust or fumes.
3. **Keep children and bystanders away while operating a power tool.** Distractions can cause you to lose control.

Electrical Safety

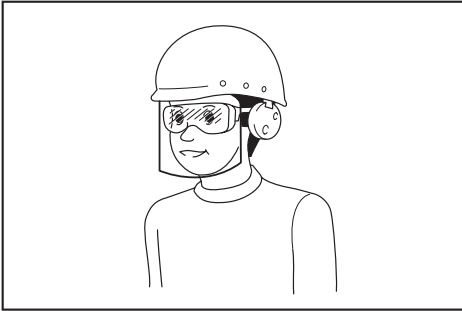
1. **Power tool plugs must match the outlet. Never modify the plug in any way. Do not use any adapter plugs with earthed (grounded) power tools.** Unmodified plugs and matching outlets will reduce risk of electric shock.
2. **Avoid body contact with earthed or grounded surfaces, such as pipes, radiators, ranges and refrigerators.** There is an increased risk of electric shock if your body is earthed or grounded.
3. **Do not expose power tools to rain or wet conditions.** Water entering a power tool will increase the risk of electric shock.

4. **Do not abuse the cord. Never use the cord for carrying, pulling or unplugging the power tool. Keep cord away from heat, oil, sharp edges or moving parts.** Damaged or entangled cords increase the risk of electric shock.
5. **When operating a power tool outdoors, use an extension cord suitable for outdoor use.** Use of a cord suitable for outdoor use reduces the risk of electric shock.
6. **If operating a power tool in a damp location is unavoidable, use a residual current device (RCD) protected supply.** Use of an RCD reduces the risk of electric shock.
7. **Use of power supply via an RCD with a rated residual current of 30 mA or less is always recommended.**
8. **Power tools can produce electromagnetic fields (EMF) that are not harmful to the user.** However, users of pacemakers and other similar medical devices should contact the maker of their device and/or doctor for advice before operating this power tool.
9. **Do not touch the power plug with wet hands.**
10. **If the cord is damaged, have it replaced by the manufacturer or his agent in order to avoid a safety hazard.**

Personal Safety

1. **Stay alert, watch what you are doing and use common sense when operating a power tool. Do not use a power tool while you are tired or under the influence of drugs, alcohol or medication.** A moment of inattention while operating power tools may result in serious personal injury.
2. **Use personal protective equipment. Always wear eye protection.** Protective equipment such as a dust mask, non-skid safety shoes, hard hat or hearing protection used for appropriate conditions will reduce personal injuries.
3. **Prevent unintentional starting. Ensure the switch is in the off-position before connecting to power source and/or battery pack, picking up or carrying the tool.** Carrying power tools with your finger on the switch or energising power tools that have the switch on invites accidents.
4. **Remove any adjusting key or wrench before turning the power tool on.** A wrench or a key left attached to a rotating part of the power tool may result in personal injury.
5. **Do not overreach. Keep proper footing and balance at all times.** This enables better control of the power tool in unexpected situations.
6. **Dress properly. Do not wear loose clothing or jewellery. Keep your hair and clothing away from moving parts.** Loose clothes, jewellery or long hair can be caught in moving parts.
7. **If devices are provided for the connection of dust extraction and collection facilities, ensure these are connected and properly used.** Use of dust collection can reduce dust-related hazards.
8. **Do not let familiarity gained from frequent use of tools allow you to become complacent and ignore tool safety principles.** A careless action can cause severe injury within a fraction of a second.

9. **Always wear protective goggles to protect your eyes from injury when using power tools. The goggles must comply with ANSI Z87.1 in the USA, EN 166 in Europe, or AS/NZS 1336 in Australia/New Zealand. In Australia/New Zealand, it is legally required to wear a face shield to protect your face, too.**



It is an employer's responsibility to enforce the use of appropriate safety protective equipments by the tool operators and by other persons in the immediate working area.

Power tool use and care

- Do not force the power tool. Use the correct power tool for your application.** The correct power tool will do the job better and safer at the rate for which it was designed.
 - Do not use the power tool if the switch does not turn it on and off.** Any power tool that cannot be controlled with the switch is dangerous and must be repaired.
 - Disconnect the plug from the power source and/or remove the battery pack, if detachable, from the power tool before making any adjustments, changing accessories, or storing power tools.** Such preventive safety measures reduce the risk of starting the power tool accidentally.
 - Store idle power tools out of the reach of children and do not allow persons unfamiliar with the power tool or these instructions to operate the power tool.** Power tools are dangerous in the hands of untrained users.
 - Maintain power tools and accessories. Check for misalignment or binding of moving parts, breakage of parts and any other condition that may affect the power tool's operation. If damaged, have the power tool repaired before use.** Many accidents are caused by poorly maintained power tools.
 - Keep cutting tools sharp and clean.** Properly maintained cutting tools with sharp cutting edges are less likely to bind and are easier to control.
 - Use the power tool, accessories and tool bits etc. in accordance with these instructions, taking into account the working conditions and the work to be performed.** Use of the power tool for operations different from those intended could result in a hazardous situation.
 - Keep handles and grasping surfaces dry, clean and free from oil and grease.** Slippery handles and grasping surfaces do not allow for safe handling and control of the tool in unexpected situations.
9. **When using the tool, do not wear cloth work gloves which may be entangled.** The entanglement of cloth work gloves in the moving parts may result in personal injury.

Service

- Have your power tool serviced by a qualified repair person using only identical replacement parts.** This will ensure that the safety of the power tool is maintained.
- Follow instruction for lubricating and changing accessories.**

Jig saw safety warnings

- Hold the power tool by insulated gripping surfaces, when performing an operation where the cutting accessory may contact hidden wiring or its own cord.** Cutting accessory contacting a "live" wire may make exposed metal parts of the power tool "live" and could give the operator an electric shock.
- Use clamps or another practical way to secure and support the workpiece to a stable platform.** Holding the workpiece by hand or against your body leaves it unstable and may lead to loss of control.
- Always use safety glasses or goggles.** Ordinary eye or sun glasses are NOT safety glasses.
- Avoid cutting nails. Inspect workpiece for any nails and remove them before operation.**
- Do not cut oversize workpiece.**
- Check for the proper clearance beyond the workpiece before cutting so that the blade will not strike the floor, workbench, etc.**
- Hold the tool firmly.**
- Make sure the blade is not contacting the workpiece before the switch is turned on.**
- Keep hands away from moving parts.**
- Do not leave the tool running. Operate the tool only when hand-held.**
- Always switch off and wait for the blade to come to a complete stop before removing the blade from the workpiece.**
- Do not touch the blade or the workpiece immediately after operation; they may be extremely hot and could burn your skin.**
- Do not operate the tool at no-load unnecessarily.**
- Some material contains chemicals which may be toxic. Take caution to prevent dust inhalation and skin contact. Follow material supplier safety data.**
- Always use the correct dust mask/respirator for the material and application you are working with.**

SAVE THESE INSTRUCTIONS.

⚠WARNING: DO NOT let comfort or familiarity with product (gained from repeated use) replace strict adherence to safety rules for the subject product. MISUSE or failure to follow the safety rules stated in this instruction manual may cause serious personal injury.

FUNCTIONAL DESCRIPTION

⚠ CAUTION:

- Always be sure that the tool is switched off and unplugged before adjusting or checking function on the tool.

Selecting the cutting action (For models 4328/4329)

► Fig.1: 1. Cutting action changing lever

This tool can be operated with an orbital or a straight line (up and down) cutting action. The orbital cutting action thrusts the blade forward on the cutting stroke and greatly increases cutting speed. To change the cutting action, just turn the cutting action changing lever to the desired cutting action position. Refer to the table to select the appropriate cutting action.

Position	Cutting action	Applications
0	Straight line cutting action	For cutting mild steel, stainless steel and plastics. For clean cuts in wood and plywood.
I	Small orbit cutting action	For cutting mild steel, aluminum and hard wood.
II	Medium orbit cutting action	For cutting wood and plywood. For fast cutting in aluminum and mild steel.
III	Large orbit cutting action	For fast cutting in wood and plywood.

Switch action

► Fig.2: 1. Switch trigger 2. Lock button

⚠ CAUTION:

- Before plugging in the tool, always check to see that the switch trigger actuates properly and returns to the "OFF" position when released.

To start the tool, simply pull the switch trigger. Release the switch trigger to stop.

For continuous operation, pull the switch trigger and then push in the lock button.

To stop the tool from the locked position, pull the switch trigger fully, then release it.

Speed adjusting dial (For models 4327/4328/4329)

► Fig.3: 1. Speed adjusting dial

The tool speed can be infinitely adjusted between 500 and 3,100 strokes per minute by turning the adjusting dial. Higher speed is obtained when the dial is turned in the direction of number 6; lower speed is obtained when it is turned in the direction of number 1.

Refer to the table to select the proper speed for the workpiece to be cut. However, the appropriate speed may differ with the type or thickness of the workpiece. In general, higher speeds will allow you to cut workpieces faster but the service life of the blade will be reduced.

Workpiece to be cut	Number on adjusting dial
Wood	5 - 6
Mild steel	3 - 6
Stainless steel	3 - 4
Aluminum	3 - 6
Plastics	1 - 4

⚠ CAUTION:

- If the tool is operated continuously at low speeds for a long time, the motor will get overloaded and heated up.
- The speed adjusting dial can be turned only as far as 6 and back to 1. Do not force it past 6 or 1, or the speed adjusting function may no longer work.

ASSEMBLY

⚠ CAUTION:

- Always be sure that the tool is switched off and unplugged before carrying out any work on the tool.

Installing or removing saw blade

► Fig.4: 1. Blade holder 2. Bolt 3. Hex wrench

⚠ CAUTION:

- Always clean out all chips or foreign matter adhering to the blade and/or blade holder. Failure to do so may cause insufficient tightening of the blade, resulting in a serious personal injury.
- Do not touch the blade or the workpiece immediately after operation; they may be extremely hot and could burn your skin.
- Always secure the blade firmly. Insufficient tightening of the blade may cause blade breakage or serious personal injury.
- Use only B type blades. Using blades other than B type blades causes insufficient tightening of the blade, resulting in a serious personal injury.

To install the blade, loosen the bolt counterclockwise on the blade holder with the hex wrench.

With the blade teeth facing forward, insert the blade into the blade holder as far as it will go. Make sure that the back edge of the blade fits into the roller. Then tighten the bolt clockwise to secure the blade.

► Fig.5: 1. Bolt 2. Blade 3. Roller

To remove the blade, follow the installation procedure in reverse.

NOTE:

- Occasionally lubricate the roller.

Hex wrench storage

- **Fig.6:** 1. Hook 2. Hex wrench

When not in use, store the hex wrench as shown in the figure to keep it from being lost.

Adjusting roller (For models 4326/4327)

- **Fig.7:** 1. Blade 2. Roller 3. Retainer 4. Hex wrench 5. Bolt 6. Base

Loosen the bolt on the back of the base with the hex wrench. Move the retainer so that the roller contacts the blade lightly. Then tighten the bolt to secure the base and the retainer.

NOTE:

- Occasionally lubricate the roller.

Dust cover

- **Fig.8:** 1. Dust cover

⚠CAUTION:

- Always wear safety goggles even when operating the tool with the dust cover lowered.

Lower the dust cover to prevent chips from flying. However, when making bevel cuts, raise it all the way.

OPERATION

⚠CAUTION:

- Always hold the base flush with the workpiece. Failure to do so may cause blade breakage, resulting in a serious injury.
- Advance the tool very slowly when cutting curves or scrolling. Forcing the tool may cause a slanted cutting surface and blade breakage.

Turn the tool on without the blade making any contact and wait until the blade attains full speed. Then rest the base flat on the workpiece and gently move the tool forward along the previously marked cutting line.

- **Fig.9:** 1. Cutting line 2. Base

Bevel cutting

- **Fig.10**

⚠CAUTION:

- Always be sure that the tool is switched off and unplugged before tilting the base.
- Raise the dust cover all the way before making bevel cuts.

With the base tilted, you can make bevel cuts at any angle between 0° and 45° (left or right).

Loosen the bolt on the back of the base with the hex wrench. Move the base so that the bolt is positioned in the center of the cross-shaped slot in the base.

- **Fig.11:** 1. Hex wrench 2. Bolt 3. Base

Tilt the base until the desired bevel angle is obtained. The edge of the motor housing indicates the bevel angle by graduations. Then tighten the bolt to secure the base.

- **Fig.12:** 1. Edge 2. Graduation

Front flush cuts

- **Fig.13:** 1. Hex wrench 2. Bolt 3. Base

Loosen the bolt on the back of the base with the hex wrench and slide the base all the way back. Then tighten the bolt to secure the base.

Cutouts

Cutouts can be made with either of two methods A or B.

A) Boring a starting hole

- **Fig.14:** 1. Starting hole

For internal cutouts without a lead-in cut from an edge, pre-drill a starting hole 12 mm or more in diameter. Insert the blade into this hole to start your cut.

B) Plunge cutting

- **Fig.15**

You need not bore a starting hole or make a lead-in cut if you carefully do as follows.

- (1) Tilt the tool up on the front edge of the base with the blade point positioned just above the workpiece surface.
- (2) Apply pressure to the tool so that the front edge of the base will not move when you switch on the tool and gently lower the back end of the tool slowly.
- (3) As the blade pierces the workpiece, slowly lower the base of the tool down onto the workpiece surface.
- (4) Complete the cut in the normal manner.

Finishing edges

- **Fig.16**

To trim edges or make dimensional adjustments, run the blade lightly along the cut edges.

Metal cutting

Always use a suitable coolant (cutting oil) when cutting metal. Failure to do so will cause significant blade wear. The underside of the workpiece can be greased instead of using a coolant.

Dust extraction

- **Fig.17:** 1. Dust cover 2. Hose

Clean cutting operations can be performed by connecting this tool to a Makita vacuum cleaner. Insert the hose of the vacuum cleaner into the hole at the rear of the tool. Lower the dust cover before operation.

NOTE:

- Dust extraction cannot be performed when making bevel cuts.

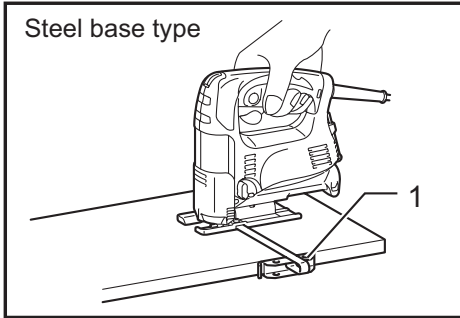
Rip fence (optional accessory)

⚠ CAUTION:

- Always be sure that the tool is switched off and unplugged before installing or removing accessories.

1. Straight cuts

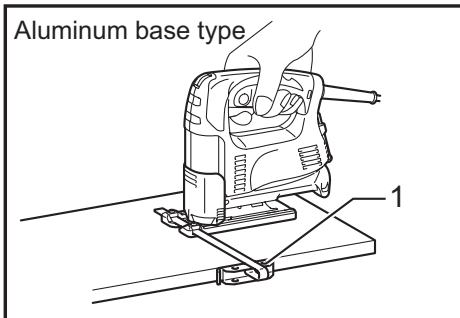
Steel base type



► Fig.18: 1. Rip fence (Guide rule)

When repeatedly cutting widths of 160 mm or less, use of the rip fence will assure fast, clean, straight cuts.

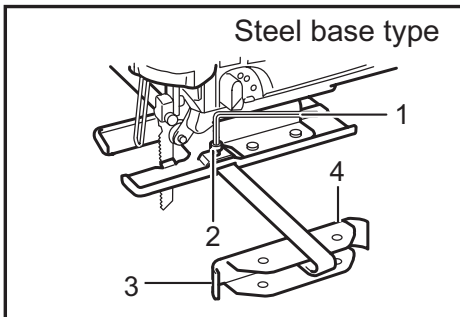
Aluminum base type



► Fig.19: 1. Rip fence (Guide rule)

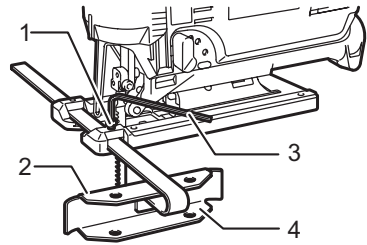
To install, insert the rip fence into the rectangular hole on the side of the base with the fence guide facing down. Slide the rip fence to the desired cutting width position, then tighten the bolt to secure it.

Steel base type



► Fig.20: 1. Hex wrench 2. Bolt 3. Rip fence (Guide rule) 4. Guide facing

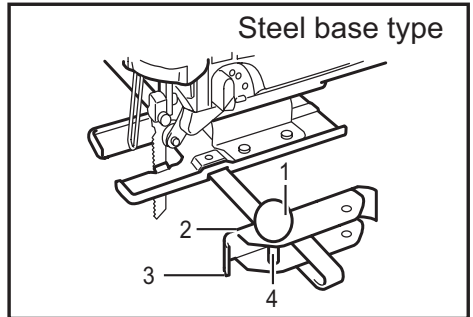
Aluminum base type



► Fig.21: 1. Bolt 2. Fence guide 3. Hex wrench 4. Rip fence (Guide rule)

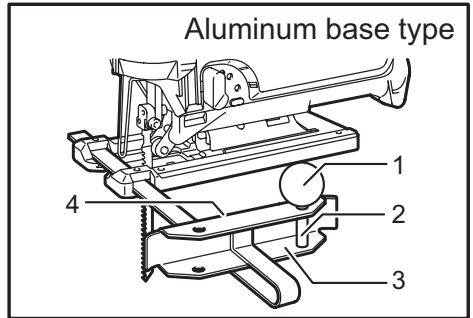
2. Circular cuts

Steel base type



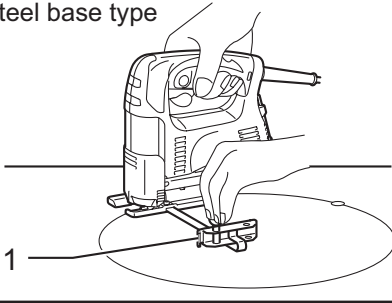
► Fig.22: 1. Threaded knob 2. Guide facing 3. Rip fence (Guide rule) 4. Pin

Aluminum base type



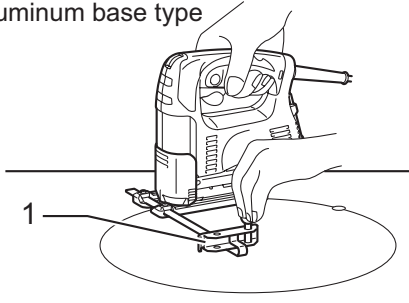
► Fig.23: 1. Threaded knob 2. Pin 3. Rip fence (Guide rule) 4. Fence guide

Steel base type



► Fig.24: 1. Rip fence (Guide rule)

Aluminum base type



► Fig.25: 1. Rip fence (Guide rule)

When cutting circles or arcs of 170 mm or less in radius, install the rip fence as follows. Insert the rip fence into the rectangular hole on the side of the base with the fence guide facing up. Insert the circular guide pin through either of the two holes on the fence guide. Screw the threaded knob onto the pin to secure the pin. Now slide the rip fence to the desired cutting radius, and tighten the bolt to secure it in place. Then move the base all the way forward.

NOTE:

- Always use blades No. B-17, B-18, B-26 or B-27 when cutting circles or arcs.

Anti-splintering device for steel base (optional accessory)

► Fig.26: 1. Anti-splintering device 2. Protrusions

For splinter-free cuts, the anti-splintering device can be used. To install the anti-splintering device, move the base all the way forward and insert it between the two protrusions of the base.

NOTE:

- The anti-splintering device cannot be used when making bevel cuts.

Anti-splintering device for aluminum base (Optional accessory)

► Fig.27: 1. Anti-splintering device 2. Aluminum base

For splinter-free cuts, the anti-splintering device can be used. To install the anti-splintering device, move the tool base all the way forward and fit it from the back of tool base. When you use the cover plate, install the anti-splintering device onto the cover plate.

⚠ CAUTION:

- The anti-splintering device cannot be used when making bevel cuts.

Cover plate for aluminum base (Optional accessory)

► Fig.28: 1. Cover plate 2. Aluminum base

Use the cover plate when cutting decorative veneers, plastics, etc. It protects sensitive or delicate surfaces from damage. Fit it on the back of the tool base.

MAINTENANCE

⚠ CAUTION:

- Always be sure that the tool is switched off and unplugged before attempting to perform inspection or maintenance.
- Never use gasoline, benzine, thinner, alcohol or the like. Discoloration, deformation or cracks may result.

To maintain product SAFETY and RELIABILITY, repairs, carbon brush inspection and replacement, any other maintenance or adjustment should be performed by Makita Authorized Service Centers, always using Makita replacement parts.

OPTIONAL ACCESSORIES

⚠ CAUTION:

- These accessories or attachments are recommended for use with your Makita tool specified in this manual. The use of any other accessories or attachments might present a risk of injury to persons. Only use accessory or attachment for its stated purpose.

If you need any assistance for more details regarding these accessories, ask your local Makita Service Center.

- Jig saw blades
- Hex wrench 3
- Rip fence (guide rule) set
- Anti-splintering device
- Hose (For vacuum cleaner)
- Cover plate (For aluminum base type)

NOTE:

- Some items in the list may be included in the tool package as standard accessories. They may differ from country to country.

ТЕХНИЧЕСКИЕ ХАРАКТЕРИСТИКИ

Модель	4326	4327	4328	4329	
Длина хода	18 мм	18 мм	18 мм	18 мм	
Тип пильного полотна	Тип В				
Макс. Режущие возможности	Дерево	65 мм	65 мм	65 мм	65 мм
	Мягкая сталь	6 мм	6 мм	6 мм	6 мм
Ходов в минуту (мин ⁻¹)	3 100	500 - 3 100	500 - 3 100	500 - 3 100	
Общая длина	217 мм (Со стальным основанием)	217 мм (Со стальным основанием)	217 мм	223 мм	
	223 мм (алюминие- вая база)	223 мм (алюминие- вая база)			
Вес нетто	1,9 кг	1,9 кг	1,8 кг	1,9 кг	
Класс безопасности					

- Благодаря нашей постоянно действующей программе исследований и разработок указанные здесь технические характеристики могут быть изменены без предварительного уведомления.
- Технические характеристики могут различаться в зависимости от страны.
- Масса в соответствии с процедурой EPTA 01/2014

Символы

Ниже приведены символы, используемые для электроинструмента. Перед использованием убедитесь, что вы понимаете их значение.



Прочитайте руководство пользователя.



ДВОЙНАЯ ИЗОЛЯЦИЯ



Только для стран ЕС
Не утилизируйте данный электроинструмент вместе с бытовыми отходами!
В рамках соблюдения Европейской Директивы по утилизации электрического и электронного оборудования и ее применения в соответствии с национальным законодательством, электрооборудование в конце срока своей службы должно утилизироваться отдельно и передаваться для его утилизации на предприятие, соответствующее применяемым правилам охраны окружающей среды.

Назначение

Данный инструмент предназначен для распиливания материалов из древесины, пластмассы и металла. В результате большого количества дополнительных принадлежностей и пильных дисков, инструмент можно использовать для различных целей и он хорошо подходит для изогнутых или круговых вырезов.

Питание

Подключайте данный инструмент только к тому источнику питания, напряжение которого соответствует напряжению, указанному на паспортной табличке. Инструмент предназначен для работы от источника однофазного переменного тока. Он имеет двойную изоляцию и поэтому может подключаться к розеткам без заземления.

Шум

Типичный уровень взвешенного звукового давления (A), измеренный в соответствии с EN62841-2-11:

Модель 4326,4327

Уровень звукового давления (L_{pA}): 86 дБ (A)
Уровень звуковой мощности (L_{WA}): 97 дБ (A)
Погрешность (K): 3 дБ (A)

Модель 4328,4329

Уровень звукового давления (L_{pA}): 83 дБ (A)
Уровень звуковой мощности (L_{WA}): 94 дБ (A)
Погрешность (K): 3 дБ (A)

ПРИМЕЧАНИЕ: Заявленное значение распространения шума измерено в соответствии со стандартной методикой испытаний и может быть использовано для сравнения инструментов.

ПРИМЕЧАНИЕ: Заявленное значение распространения шума можно также использовать для предварительных оценок воздействия.

⚠ОСТОРОЖНО: Используйте средства защиты слуха.

⚠ОСТОРОЖНО: Распространение шума во время фактического использования электроинструмента может отличаться от заявленного значения в зависимости от способа применения инструмента и в особенности от типа обрабатываемой детали.

⚠ОСТОРОЖНО: Обязательно определите меры безопасности для защиты оператора, основанные на оценке воздействия в реальных условиях использования (с учетом всех этапов рабочего цикла, таких как выключение инструмента, работа без нагрузки и включение).

Вибрация

Суммарное значение вибрации (сумма векторов по трем осям) определяется по следующим параметрам EN62841-2-11:

Модель 4326,4327

Рабочий режим: распиливание досок
Распространение вибрации ($a_{h,v}$): 5,5 м/с²
Погрешность (K): 1,5 м/с²

Рабочий режим: резка листового металла
Распространение вибрации ($a_{h,v}$): 5,5 м/с²
Погрешность (K): 1,5 м/с²

Модель 4328,4329

Рабочий режим: распиливание досок
Распространение вибрации ($a_{h,v}$): 7,0 м/с²
Погрешность (K): 1,5 м/с²

Рабочий режим: резка листового металла
Распространение вибрации ($a_{h,v}$): 5,0 м/с²
Погрешность (K): 1,5 м/с²

ПРИМЕЧАНИЕ: Заявленное общее значение распространения вибрации измерено в соответствии со стандартной методикой испытаний и может быть использовано для сравнения инструментов.

ПРИМЕЧАНИЕ: Заявленное общее значение распространения вибрации можно также использовать для предварительных оценок воздействия.

⚠ ОСТОРОЖНО: Распространение вибрации во время фактического использования электроинструмента может отличаться от заявленного значения в зависимости от способа применения инструмента и в особенности от типа обрабатываемой детали.

⚠ ОСТОРОЖНО: Обязательно определите меры безопасности для защиты оператора, основанные на оценке воздействия в реальных условиях использования (с учетом всех этапов рабочего цикла, таких как выключение инструмента, работа без нагрузки и включение).

Декларация о соответствии ЕС

Только для европейских стран

Декларация о соответствии ЕС включена в руководство по эксплуатации (Приложение А).

Общие рекомендации по технике безопасности для электроинструментов

⚠ ОСТОРОЖНО: Ознакомьтесь со всеми представленными инструкциями по технике безопасности, указаниями, иллюстрациями и техническими характеристиками, прилагаемыми к данному электроинструменту. Несоблюдение каких-либо инструкций, указанных ниже, может привести к поражению электрическим током, пожару и/или серьезной травме.

Сохраните брошюру с инструкциями и рекомендациями для дальнейшего использования.

Термин "электроинструмент" в предупреждениях относится ко всему инструменту, работающему от сети (с проводом) или на аккумуляторах (без провода).

Безопасность в месте выполнения работ

1. **Рабочее место должно быть чистым и хорошо освещенным.** Захламление и плохое освещение могут стать причиной несчастных случаев.
2. **Не пользуйтесь электроинструментом во взрывоопасной атмосфере, например в присутствии легко воспламеняющихся жидкостей, газов или пыли.** При работе электроинструмента возникает искры, которые могут привести к воспламенению пыли или газов.
3. **При работе с электроинструментом не допускайте детей или посторонних к месту выполнения работ.** Не отвлекайтесь во время работы, так как это приведет к потере контроля над электроинструментом.

Электробезопасность

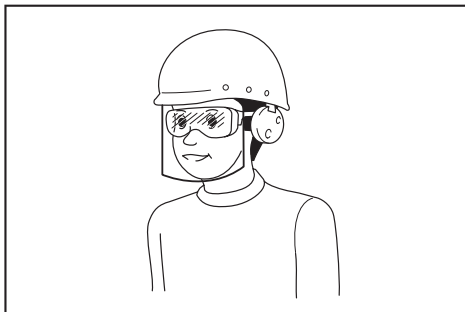
1. **Вилка электроинструмента должна соответствовать сетевой розетке.** Запрещается вносить какие-либо изменения в конструкцию вилки. Для электроинструмента с заземлением запрещается использовать переходники. Розетки и вилки, не подвергавшиеся изменениям, снижают риск поражения электрическим током.
2. **Избегайте контакта участков тела с заземленными поверхностями, такими как трубы, радиаторы, батареи отопления и холодильники.** При контакте тела с заземленными предметами увеличивается риск поражения электрическим током.
3. **Не подвергайте электроинструмент воздействию дождя или влаги.** Попадание воды в электроинструмент повышает риск поражения электрическим током.
4. **Аккуратно обращайтесь со шнуром питания.** Запрещается использовать шнур питания для переноски, перемещения или извлечения вилки из розетки. Располагайте шнур на расстоянии от источников тепла, масла, острых краев и движущихся деталей. Поврежденные или запутанные сетевые шнуры увеличивают риск поражения электрическим током.
5. **При использовании электроинструмента вне помещения используйте удлинитель, подходящий для этих целей.** Использование соответствующего шнура снижает риск поражения электрическим током.
6. **Если электроинструмент приходится эксплуатировать в сыром месте, используйте линию электропитания, которая защищена устройством, срабатывающим от остаточного тока (RCD).** Использование RCD снижает риск поражения электротоком.
7. **Рекомендуется использовать питание через RCD с номинальным остаточным током 30 мА или менее.**
8. **Электроинструмент может создавать электромагнитные поля (EMF), которые не представляют опасности для пользователя.** Однако пользователям с кардиостимуляторами и другими аналогичными медицинскими устройствами следует обратиться к производителю устройства и/или врачу перед началом эксплуатации инструмента.

9. Не прикасайтесь к разъему электропитания мокрыми руками.
10. Во избежание угрозы безопасности, в случае повреждения кабеля его необходимо заменить в мастерской изготовителя.

Личная безопасность

1. При использовании электроинструмента будьте бдительны, следите за тем, что вы делаете, и руководствуйтесь здравым смыслом. Не пользуйтесь электроинструментом, если вы устали, находитесь под воздействием наркотиков, алкоголя или лекарственных препаратов. Даже мгновенная невнимательность при использовании электроинструмента может привести к серьезной травме.
2. Используйте индивидуальные средства защиты. Всегда надевайте защитные очки. Такие средства индивидуальной защиты, как маска от пыли, защитная нескользящая обувь, каска или наушники, используемые в соответствующих условиях, позволяют снизить риск получения травмы.
3. Не допускайте случайного запуска. Прежде чем подсоединять инструмент к источнику питания и/или аккумуляторной батарее, поднимать или переносить инструмент, убедитесь, что переключатель находится в выключенном положении. Переноска электроинструмента с пальцем на выключателе или подача питания на инструмент с включенным выключателем может привести к несчастному случаю.
4. Перед включением электроинструмента снимите с него все регулировочные инструменты и гаечные ключи. Гаечный или регулировочный ключ, оставшийся закрепленным на вращающейся детали, может привести к травме.
5. При эксплуатации устройства не тянитесь. Всегда сохраняйте устойчивое положение и равновесие. Это позволит лучше управлять электроинструментом в непредвиденных ситуациях.
6. Одевайтесь соответствующим образом. Не надевайте свободную одежду или украшения. Ваши волосы и одежда должны всегда находиться на расстоянии от движущихся деталей. Свободная одежда, украшения или длинные волосы могут попасть в движущиеся детали устройства.
7. Если электроинструмент оборудован системой удаления и сбора пыли, убедитесь, что она подключена и используется соответствующим образом. Использование пылесборника снижает вероятность возникновения рисков, связанных с пылью.
8. Не переоценивайте свои возможности и не пренебрегайте правилами техники безопасности, даже если вы часто работаете с инструментом. Небрежное обращение с инструментом может стать причиной серьезной травмы за доли секунды.

9. Во время работы с электроинструментом всегда надевайте защитные очки. Очки должны соответствовать ANSI Z87.1 для США, EN 166 для Европы, или AS/NZS 1336 для Австралии и Новой Зеландии. В Австралии и Новой Зеландии оператор также обязан носить защитную маску.



Ответственность за использование средств защиты операторами и другим персоналом вблизи рабочей зоны возлагается на работодателя.

Эксплуатация и обслуживание электроинструмента

1. Не прилагайте излишних усилий к электроинструменту. Используйте инструмент, соответствующий выполняемой вами работе. Правильно подобранный электроинструмент позволит выполнить работу лучше и безопаснее с производительностью, на которую он рассчитан.
2. Не пользуйтесь электроинструментом с неисправным выключателем. Любой электроинструмент с неисправным выключателем опасен и должен быть отремонтирован.
3. Перед выполнением регулировок, сменой принадлежностей или хранением электроинструмента всегда отключайте его от источника питания и/или от аккумулятора или снимайте аккумулятор, если он является съемным. Такие превентивные меры предосторожности снижают риск случайного включения электроинструмента.
4. Храните электроинструменты в местах, недоступных для детей, и не позволяйте лицам, не знакомым с работой такого инструмента или не прочитавшим данные инструкции, пользоваться им. Электроинструмент опасен в руках неопытных пользователей.
5. Поддерживайте электроинструмент и дополнительные принадлежности в надлежащем состоянии. Убедитесь в соосности, отсутствии деформации движущихся узлов, поломок каких-либо деталей или других дефектов, которые могут повлиять на работу электроинструмента. Если инструмент поврежден, отремонтируйте его перед использованием. Большое число несчастных случаев происходит из-за плохого ухода за электроинструментом.

6. Режущий инструмент всегда должен быть острым и чистым. Соответствующее обращение с режущим инструментом, имеющим острые режущие кромки, делает его менее подверженным деформациям, что позволяет лучше управлять им.
7. Используйте электроинструмент, принадлежность, приспособления и насадки в соответствии с данными инструкциями и в целях, для которых он предназначен, учитывая при этом условия и вид выполняемой работы. Использование электроинструмента не по назначению может привести к возникновению опасной ситуации.
8. Рукоятки инструмента и специальные изолированные поверхности всегда должны быть сухими и чистыми и не содержать следов масла или смазки. Скользкие рукоятки и специальные поверхности препятствуют соблюдению рекомендаций по технике безопасности в экстренных ситуациях.
9. При использовании инструмента не надевайте рабочие перчатки, ткань которых инструмент может затянуть. Затягивание ткани рабочих перчаток в движущиеся части инструмента может привести к травме.
6. Убедитесь в наличии свободного пространства за распиливаемой деталью, чтобы полотно не уперлось в пол, верстак и т. п.
7. Крепко держите инструмент.
8. Перед включением переключателя убедитесь в том, что полотно не касается обрабатываемой детали.
9. Руки должны находиться на расстоянии от движущихся деталей.
10. Не оставляйте работающий инструмент без присмотра. Включайте инструмент только тогда, когда он находится в руках.
11. Перед извлечением полотна из детали всегда выключайте инструмент и ждите остановки движения полотна.
12. Не касайтесь полотна или обрабатываемой детали сразу же после работы; они могут быть очень горячими и обжечь кожу.
13. Без необходимости не эксплуатируйте инструмент без нагрузки.
14. Некоторые материалы могут содержать токсичные химические вещества. Примите соответствующие меры предосторожности, чтобы избежать вдыхания или контакта с кожей таких веществ. Соблюдайте требования, указанные в паспорте безопасности материала.
15. Обязательно используйте соответствующую пылезащитную маску/респиратор для защиты дыхательных путей от пыли разрезаемых материалов.

Сервисное обслуживание

1. Сервисное обслуживание электроинструмента должно проводиться только квалифицированным специалистом по ремонту и только с использованием идентичных запасных частей. Это позволит обеспечить безопасность электроинструмента.
2. Следуйте инструкциям по смазке и замене принадлежностей.

Правила техники безопасности при эксплуатации лобзика

1. Если при выполнении работ существует риск контакта режущего инструмента со скрытой электропроводкой или собственным шнуром питания, держите электроинструмент за специально предназначенные изолированные поверхности. Контакт с проводом под напряжением может стать причиной поражения оператора током.
2. Для фиксации разрезаемой детали на устойчивой поверхности используйте зажимы или другие соответствующие приспособления. Никогда не держите распиливаемые детали в руках и не прижимайте их к телу, так как это не обеспечит устойчивого положения детали и может привести к потере контроля над инструментом.
3. Обязательно надевайте защитные очки или защитную маску для лица. Обычные или солнцезащитные очки НЕ ЯВЛЯЮТСЯ защитными очками.
4. Избегайте попадания режущего инструмента на гвозди. Перед пилением осмотрите деталь и убедитесь в отсутствии гвоздей.
5. Не распиливайте детали, превышающие допустимый размер.

СОХРАНИТЕ ДАННЫЕ ИНСТРУКЦИИ.

▲ОСТОРОЖНО: НЕ ДОПУСКАЙТЕ, чтобы удобство или опыт эксплуатации данного устройства (полученный от многократного использования) доминировали над строгим соблюдением правил техники безопасности при обращении с этим устройством. **НЕПРАВИЛЬНОЕ ИСПОЛЬЗОВАНИЕ** инструмента или несоблюдение правил техники безопасности, указанных в данном руководстве, может привести к тяжелой травме.

ОПИСАНИЕ ФУНКЦИОНИРОВАНИЯ

⚠ВНИМАНИЕ:

- Перед проведением регулировки или проверки работы инструмента всегда проверяйте, что инструмент выключен, а шнур питания вынут из розетки.

Выбор режима резки (для моделей 4328/4329)

► Рис.1: 1. Рычаг переключения резки

Данный инструмент можно использовать для орбитальной или прямолинейной (вверх и вниз) резки. Действие орбитальной резки бросает лезвие вперед по удару резки и значительно увеличивает скорость резки.

Для изменения действия резки, просто поверните рычаг переключения действия в желаемое положение. См. таблицу для выбора соответствующего действия резки.

Положение	Действие резки	Применение
0	Резка по прямой линии	Для резки мягкой, нержавеющей стали и пластмассы.
		Для чистовых резов в дереве и фанере.
I	Резка с небольшим радиусом	Для резки мягкой стали, алюминия и твердого дерева.
II	Резка со средним радиусом	Для резки дерева и фанеры.
		Для быстрой резки алюминия и мягкой стали.
III	Резка с большим радиусом	Для быстрой резки дерева и фанеры.

Действие выключателя

► Рис.2: 1. Курковый выключатель 2. Кнопка блокировки

⚠ВНИМАНИЕ:

- Перед включением инструмента в розетку, всегда проверяйте, что триггерный переключатель работает надлежащим образом и возвращается в положение "ВЫКЛ", если его отпустить.

Для запуска инструмента просто нажмите на триггерный переключатель. Отпустите триггерный переключатель для остановки.

При непрерывной эксплуатации, нажмите на триггерный переключатель, затем нажмите кнопку блокировки.

Для остановки инструмента из заблокированного положения, полностью нажмите триггерный переключатель, затем отпустите его.

Шкала регулировки скорости (для моделей 4327/4328/4329)

► Рис.3: 1. Поворотный регулятор скорости

Скорость инструмента можно бесступенчато регулировать в пределах от 500 до 3 100 ходов в минуту путем поворота диска регулировки. Более высокая скорость достигается, когда диск повернут по направлению к цифре 6; более низкая скорость достигается путем перемещения диска к цифре 1. См. таблицу для выбора надлежащей скорости для разрезаемой обрабатываемой детали. Однако надлежащая скорость может быть разной в зависимости от толщины обрабатываемой детали. В общем плане, более высокие скорости позволяют резать обрабатываемые детали быстрее, но срок службы лезвий сократится.

Обрабатываемая деталь для резки	Число на регулировочном диске
Дерево	5 - 6
Мягкая сталь	3 - 6
Нержавеющая сталь	3 - 4
Алюминий	3 - 6
Пластмасса	1 - 4

⚠ВНИМАНИЕ:

- Если инструментом пользоваться непрерывно на низкой скорости в течение продолжительного времени, двигатель будет перегружен и нагреется.
- Диск регулировки скорости можно поворачивать только до цифры 6 и обратно до 1. Не пытайтесь повернуть его дальше 6 или 1, так как функция регулировки скорости может выйти из строя.

МОНТАЖ

⚠ВНИМАНИЕ:

- Перед проведением каких-либо работ с инструментом всегда проверяйте, что инструмент выключен, а шнур питания вынут из розетки.

Установка или снятие пильного диска

► Рис.4: 1. Держатель полотна 2. Болт 3. Шестигранный ключ

⚠ВНИМАНИЕ:

- Всегда счищайте все щепки или инородный материал, прилипший к лезвию и/или держателю лезвия. Несоблюдение данного требования может привести к недостаточной затяжке лезвия и серьезной травме.
- Не касайтесь лезвия или обрабатываемой детали сразу же после работы; они могут быть очень горячими и обжечь кожу.
- Всегда крепко закрепляйте лезвие. Недостаточная затяжка лезвия может привести к его поломке или серьезной травме.
- Используйте только полотен типа В. Использование других полотен не обеспечивает надлежащую затяжку, что может стать причиной серьезной травмы.

Для установки лезвия ослабьте болт против часовой стрелки на держателе лезвия с помощью шестигранного ключа.

Направив зубья лезвия вперед, вставьте лезвие в держатель лезвия как можно дальше до конца. Убедитесь, что задняя часть лезвия вставлена в ролик. Затем затяните болт по часовой стрелке для закрепления лезвия.

► **Рис.5:** 1. Болт 2. Полотно 3. Ролик

Для снятия лезвия выполните процедуру установки в обратном порядке.

ПРИМЕЧАНИЕ:

- Иногда смазывайте ролик.

Хранение шестигранного ключа

► **Рис.6:** 1. Крючок 2. Шестигранный ключ

Когда шестигранный ключ не используется, храните его, как показано на рисунке, чтобы не потерять.

Регулировочный ролик (для моделей 4326/4327)

► **Рис.7:** 1. Полотно 2. Ролик 3. Держатель
4. Шестигранный ключ 5. Болт
6. Основание

Открутите болт в задней части основания шестигранным ключом. Уберите держатель, чтобы ролик слегка касался лезвия. Затем затяните болт для крепления основания и держателя.

ПРИМЕЧАНИЕ:

- Иногда смазывайте ролик.

Кожух для пыли

► **Рис.8:** 1. Пылезащитный кожух

ВНИМАНИЕ:

- При работе с инструментом всегда надевайте защитные очки, даже с закрытым кожухом для пыли.

Опустите кожух для пыли для предотвращения разлета щепок. Однако при косых вырезах поднимите его до конца.

ЭКСПЛУАТАЦИЯ

ВНИМАНИЕ:

- Всегда держите основание заподлицо с обрабатываемой деталью. Несоблюдение данного требования может привести к поломке лезвия и серьезной травме.
- Продвигайте инструмент очень медленно при резке кривых или при перемещении по вертикали. Если к инструменту приложит усилие, это может привести к появлению искрошенной поверхности и повреждению лезвия.

Включите инструмент, когда лезвие ничего не касается, и подождите, пока лезвие не достигнет полной скорости. Затем положите основание на обрабатываемую деталь и медленно перемещайте инструмент вперед по заранее нанесенной линии отреза.

► **Рис.9:** 1. Линия отреза 2. Основание

Рез под углом

► **Рис.10**

ВНИМАНИЕ:

- Перед наклоном основания всегда проверьте, что инструмент отключен, а шнур вынут из розетки питания.
- Поднимите кожух для пыли до конца перед работой с косыми вырезами.

При наклонном основании Вы можете делать косые вырезы под любым углом в диапазоне от 0° до 45° (влево или вправо).

Открутите болт в задней части основания шестигранным ключом. Сдвиньте основание так, чтобы болт располагался в центре крестообразного разреза в основании.

► **Рис.11:** 1. Шестигранный ключ 2. Болт
3. Основание

Наклоните основание на желаемый угол скоса. Край корпуса двигателя указывает угол скоса в градуировке. Затем затяните болт для закрепления основания.

► **Рис.12:** 1. Край 2. Градуировка

Прямые разрезы заподлицо

► **Рис.13:** 1. Шестигранный ключ 2. Болт
3. Основание

Открутите болт в задней части основания шестигранным ключом и сдвиньте основание до конца назад. Затем затяните болт для закрепления основания.

Вырезы

Вырезы можно делать с помощью одного из двух методов - либо А, либо В.

А) Сверление начального отверстия

► **Рис.14:** 1. Начальное отверстие

Для внутренних вырезов без начального врезания с края, высверлите предварительно отверстие диаметром 12 мм или более. Вставьте лезвие в это отверстие для начала резки.

В) Врезание

► **Рис.15**

Вам не нужно будет просверливать начальное отверстие или делать врезку, если Вы внимательно следите за следующим.

- (1) Поднимите инструмент за передний край основания, расположив острие лезвия непосредственно над поверхностью обрабатываемой детали.
- (2) Надавите на инструмент, чтобы передний край основания не сдвинулся, когда Вы включите инструмент, и медленно опустите заднюю часть.
- (3) По мере врезания лезвия в обрабатываемую деталь, опускайте основание инструмента на поверхность обрабатываемой детали.
- (4) Завершите вырез обычным образом.

Обработка краев

► Рис.16

Для обработки краев или размерной регулировки, слегка проведите лезвием по вырезанным краям.

Резка металла

Всегда используйте подходящее охлаждающее вещество (масло для резки) при резке металла. Несоблюдение данного требования приведет к значительному износу лезвия. Вместо использования охлаждающего вещества можно смазать обратную поверхность обрабатываемой детали.

Сбор пыли

► Рис.17: 1. Пылезащитный кожух 2. Шланг

При подключении данного инструмента к пылесосу Makita можно добиться чистой резки. Вставьте шланг пылесоса в отверстие в задней части инструмента. Перед работой опустите кожух для пыли.

ПРИМЕЧАНИЕ:

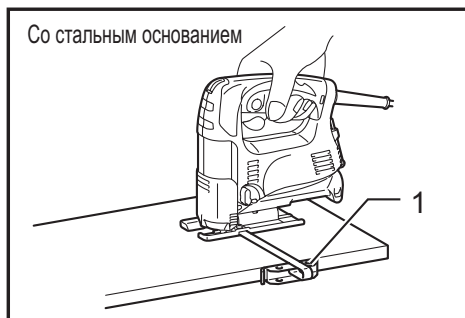
- Пыль нельзя удалять при косых вырезах.

Направляющая планка (дополнительная принадлежность)

▲ ВНИМАНИЕ:

- Перед установкой или снятием принадлежностей, всегда проверяйте, что инструмент выключен, а шнур вынут из розетки электропитания.

1. Прямые разрезы



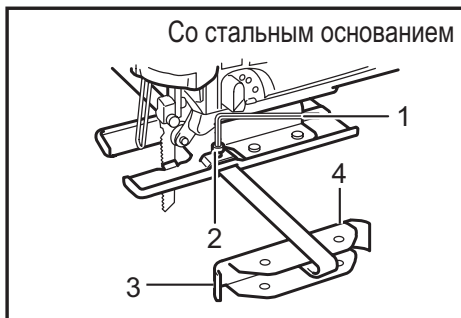
► Рис.18: 1. Направляющая планка (направляющая линейка)

При многократной резке в глубину до 160 мм или менее, использование направляющей планки позволит добиться быстрых, чистых, прямых разрезов.

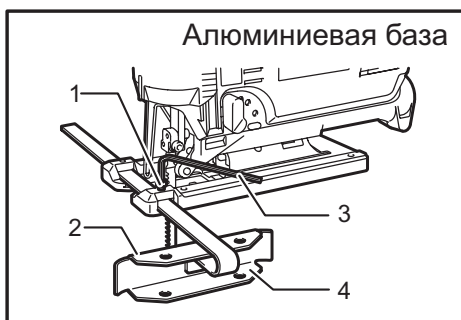


► Рис.19: 1. Направляющая планка (направляющая линейка)

Для установки направляющей планки вставьте ее в квадратное отверстие сбоку основания, при этом направляющая должна смотреть вниз. Сдвиньте направляющую планку в необходимое положение для резки, затем затяните болт, чтобы закрепить ее.

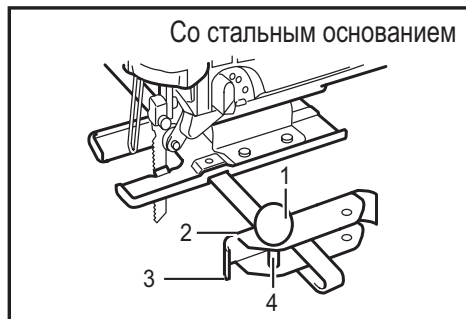


► Рис.20: 1. Шестигранный ключ 2. Болт 3. Направляющая планка (направляющая линейка) 4. Направляющая смотрит

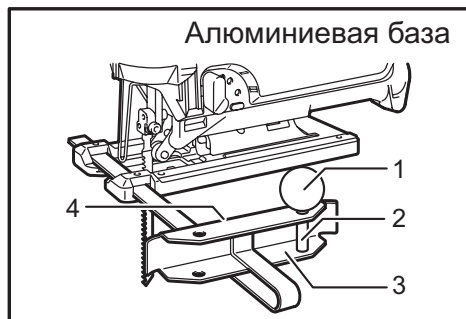


► Рис.21: 1. Болт 2. Направляющая 3. Шестигранный ключ 4. Направляющая планка (направляющая линейка)

2. Круговые вырезы



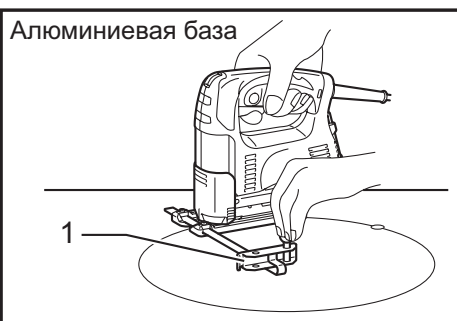
► **Рис.22:** 1. Резьбовая ручка 2. Направляющая планка смотрит 3. Направляющая планка (направляющая линейка) 4. Штифт



► **Рис.23:** 1. Резьбовая ручка 2. Штифт 3. Направляющая планка (направляющая линейка) 4. Направляющая



► **Рис.24:** 1. Направляющая планка (направляющая линейка)



► **Рис.25:** 1. Направляющая планка (направляющая линейка)

При резке кругов или дуг радиусом в 170 мм или менее, установите направляющую планку следующим образом. Вставьте направляющую планку в квадратное отверстие сбоку основания, при этом направляющая должна смотреть вверх. Вставьте штифт круговой направляющей в любое из двух отверстий в направляющей планке. Накрутите резьбовую ручку на штифт для его крепления. Затем сдвиньте направляющую планку на желаемый радиус выреза и затяните болт для его фиксации на месте. После этого сдвиньте основание вперед до конца.

ПРИМЕЧАНИЕ:

- При вырезке кругов или дуг всегда пользуйтесь лезвиями № В-17, В-18, В-26 или В-27.

Устройство против раскалывания (дополнительная принадлежность)

► **Рис.26:** 1. Устройство против раскалывания 2. Выступы

Для обеспечения резки без расколов можно использовать устройство против раскалывания. Чтобы установить устройство против раскалывания, полностью подвиньте основание вперед и вставьте устройство между двумя выступами в основании.

ПРИМЕЧАНИЕ:

- При осуществлении разрезов со скосом устройство против раскалывания использовать нельзя.

Устройство против раскалывания для алюминиевого основания (дополнительная принадлежность)

► **Рис.27:** 1. Устройство против раскалывания 2. Алюминиевое основание

Для обеспечения резки без расколов можно использовать устройство против раскалывания. Чтобы установить устройство против раскалывания, полностью подвиньте основание вперед и вставьте устройство с задней части основания инструмента. Если Вы используете крышку, установите устройство против раскалывания на крышку.

ВНИМАНИЕ:

- При осуществлении разрезов со скосом устройство против раскалывания использовать нельзя.

Крышка для алюминиевого основания (дополнительная принадлежность)

- **Рис.28:** 1. Закрывающая пластина
2. Алюминиевое основание

Используйте крышку при резке декоративной фанеры, пластмассы и т.д. Она защищает чувствительные или тонкие поверхности от повреждений. Устанавливайте ее на заднюю часть основания инструмента.

ТЕХОБСЛУЖИВАНИЕ

⚠ВНИМАНИЕ:

- Перед проверкой или проведением техобслуживания убедитесь, что инструмент выключен, а штекер отсоединен от розетки.
- Запрещается использовать бензин, лигроин, растворитель, спирт и т.п. Это может привести к изменению цвета, деформации и появлению трещин.

Для обеспечения БЕЗОПАСНОСТИ и НАДЕЖНОСТИ изделия ремонт, проверка и замена угольных щеток и любые другие работы по техобслуживанию или регулировке должны осуществляться в уполномоченных сервис-центрах Makita с использованием запасных частей только производства компании Makita.

ДОПОЛНИТЕЛЬНЫЕ ПРИНАДЛЕЖНОСТИ

⚠ВНИМАНИЕ:

- Эти принадлежности или насадки рекомендуется использовать вместе с вашим инструментом Makita, описанным в данном руководстве. Использование каких-либо других принадлежностей или насадок может представлять опасность получения травм. Используйте принадлежность или насадку только по указанному назначению.

Если вам необходимо содействие в получении дополнительной информации по этим принадлежностям, свяжитесь со своим местным сервис-центром Makita.

- Лезвия ножовочных пил
- Шестигранный ключ 3
- Комплект направляющей планки (направляющей линейки)
- Устройство против раскалывания
- Шланг (для пылесоса)
- Крышка (для инструмента с алюминиевым основанием)

ПРИМЕЧАНИЕ:

- Некоторые элементы списка могут входить в комплект инструмента в качестве стандартных приспособлений. Они могут отличаться в зависимости от страны.

ТЕХНИКАЛЫҚ СИПАТТАМАЛАРЫ

Үлгісі	4326	4327	4328	4329	
Жүріс ұзындығы	18 мм	18 мм	18 мм	18 мм	
Жүз түрі	В түрі				
Макс. кесу мүмкіндігі	Ағаш	65 мм	65 мм	65 мм	65 мм
	Жұмсақ болат	6 мм	6 мм	6 мм	6 мм
Бір минуттағы жүріс саны (мин ⁻¹)	3100	500 - 3100	500 - 3100	500 - 3100	
Жалпы ұзындығы	217 мм (болат табан түрі)	217 мм (болат табан түрі)	217 мм	223 мм	
	223 мм (алюминий табан түрі)	223 мм (алюминий табан түрі)			
Таза салмағы	1,9 кг	1,9 кг	1,8 кг	1,9 кг	
Қауіпсіздік класы	II/II	II/II	II/II	II/II	

- Зерттеу мен әзірлеудің үздіксіз бағдарламасына байланысты осы құжаттағы техникалық сипаттамалар ескертусіз өзгертілуі мүмкін.
- Техникалық сипаттамалары әр елде әр түрлі болуы мүмкін.
- Салмағы EPTA-Procedure 01/2014 стандартына сәйкес

Белгілер

Төменде жабдықта пайдаланылған белгілер көрсетілген. Қолданар алдында олардың мағынасын түсініп алыңыз.



Пайдалану жөніндегі нұсқаулықты оқып шығыңыз.



ҚОС ҚАБАТТЫ ОҚШАУЛАУ



Тек ЕО елдері үшін
Электрлік жабдықты тұрмыстық қалдықтармен бірге тастамаңыз!
Электрлік және электрондық жабдықты қоқысқа тастау бойынша Еуропалық директиваның шарттары бойынша, қызметтік мерзімі аяқталған электрлік жабдық бөлек жиналып, экологиялық тұрғыдан қауіпсіз утилизация пунктіне қайтарылуы тиіс.

Пайдалану мақсаты

Құрал ағаш, пластмасса және металл материалдарын аралауға арналған. Кеңейтілген керек-жарақтар ассортименті мен аралау бағдарламасының арқасында құралды көптеген мақсаттарға пайдалануға болады және қисық немесе шеңберлі кесуге өте қолайлы.

Қуат көзі

Құрал паспорттық деректері бар фирмалық тақтайшада көрсетілген көрнеумен бірдей қуат көзіне қосылуы керек және тек бір фазалы АТ көзімен жұмыс істейді. Оның қос қабатты оқшауламасы бар болғандықтан, жерге тұйықталмаған розеткаларды пайдалануға болады.

Шу

Шу EN62841-2-11 стандартына сай анықталған стандартты А қисығы бойынша өлшенген шу деңгейі:

4326,4327 үлгісі

Дыбыс қысымының деңгейі (L_{pA}): 86 дБА
Дыбыс қысымының деңгейі (L_{WA}): 97 дБА
Дәлсіздігі (K): 3 дБА

4328,4329 үлгісі

Дыбыс қысымының деңгейі (L_{pA}): 83 дБА
Дыбыс қысымының деңгейі (L_{WA}): 94 дБА
Дәлсіздігі (K): 3 дБА

ЕСКЕРТПЕ: Шудың жарияланған таралу мән(дер) і стандартты сынау әдісіне сәйкес өлшенген және оны бір құралды екінші құралмен сапыстыру үшін пайдалануға болады.

ЕСКЕРТПЕ: Жарияланған шуды сондай-ақ әсерді алдын ала бағалау үшін пайдалануға болады.

⚠ЕСКЕРТУ: Қорғаныс құлаққабын киіңіз.

⚠ЕСКЕРТУ: Электрлік құралды іс жүзінде пайдалану кезіндегі шудың таралу мәнi құралдың пайдалану әдісіне, әсіресе қандай дайындама өңделгеніне байланысты жарияланған мәнінен өзгеше болуы мүмкін.

⚠ЕСКЕРТУ: Іс жүзінде пайдалану кезіндегі әсерді бағалау негізінде операторды қорғау үшін қауіпсіздік шараларын анықтаңыз (құралдың өшірілген уақыты және бос жүріс уақытын қоса алғанда, іске қосылу уақыты сияқты барлық жұмыс циклдерін ескеру керек).

Діріл

EN62841-2-11 стандартына сәйкес анықталған дірілдің жалпы мәні (үш осьтік векторлық сомасы):

4326,4327 үлгісі

Жұмыс режимі: тақталарды кесу
Дірілдің таралуы ($a_{нБ}$): 5,5 м/с²
Дәлсіздік (K): 1,5 м/с²

Жұмыс режимі : жалпақ металды кесу

Дірілдің таралуы ($a_{h,M}$) : $5,5 \text{ м/с}^2$

Дәлсіздік (K) : $1,5 \text{ м/с}^2$

4328,4329 үлгісі

Жұмыс режимі: тақталарды кесу

Дірілдің таралуы ($a_{h,B}$) : $7,0 \text{ м/с}^2$

Дәлсіздік (K) : $1,5 \text{ м/с}^2$

Жұмыс режимі : жалпақ металды кесу

Дірілдің таралуы ($a_{h,M}$) : $5,0 \text{ м/с}^2$

Дәлсіздік (K) : $1,5 \text{ м/с}^2$

ЕСКЕРТПЕ: Дірілдің жарияланған жалпы мән(дер) і стандартты сынау әдісіне сәйкес өлшенген және оны бір құралды екінші құралмен салыстыру үшін пайдалануға болады.

ЕСКЕРТПЕ: Сондай-ақ дірілдің жарияланған жалпы мән(дер)ін әсерді алдын ала бағалау үшін пайдалануға болады.

⚠️ЕСКЕРТУ: Электрлік құралды іс жүзінде пайдалану кезіндегі дірілдің мәні құралдың пайдалану әдісіне, әсіресе қандай дайындама өңделгеніне байланысты жарияланған мән(дер)інен өзгеше болуы мүмкін.

⚠️ЕСКЕРТУ: Іс жүзінде пайдалану кезіндегі әсерді бағалау негізінде операторды қорғау үшін қауіпсіздік шараларын анықтаңыз (құралдың өшірілген уақыты және бос жүріс уақытын қоса алғанда, іске қосылу уақыты сияқты барлық жұмыс циклдерін ескеру керек).

ЕС сәйкестік декларациясы

Тек Еуропа елдеріне арналған

ЕС сәйкестік декларациясы осы пайдалану жөніндегі нұсқаулықтың А қосымшасы ретінде қосылған.

Электрлік құралдың жалпы қауіпсіздік ескертулері

⚠️ЕСКЕРТУ: Осы электрлік құралмен бірге берілген қауіпсіздік ескертулерін, нұсқауларды, суреттерді және техникалық сипаттамаларды оқып шығыңыз. Төменде берілген барлық нұсқауды орындамаған жағдайда, электр тогының соғуы, өрт шығуы және/немесе ауыр жарақат алуға себеп болуы мүмкін.

Алдағы уақытта қолдану үшін барлық ескерту мен нұсқауды сақтап қойыңыз.

Ескертулердегі "электрлік құрал" термині қуат көзінен жұмыс істейтін (сымды) электрлік құралды немесе аккумулятормен жұмыс істейтін (сымсыз) электрлік құралды білдіреді.

Жұмыс аймағындағы қауіпсіздік

1. **Жұмыс аймағы таза өрі жарық болуы керек.** Лас немесе қараңғы аймақтарда жазатайым оқиғалар туындауы мүмкін.
2. **Электрлік құралды айналасында тез тұтанатын сұйықтық, газ немесе шаң сияқты заттардан тұратын жарылыс қаупі бар орталарда пайдаланбаңыз.** Электрлік құралдар шаң немесе газды тұтандыратын электр ұшқындарын шығарады.

3. **Электрлік құралды пайдаланған кезде, балалар және бөгде адамдар алшақ жүруі керек.** Басқа нәрсеге алаңдасаңыз, құралға ие бола алмай қалуыңыз мүмкін.

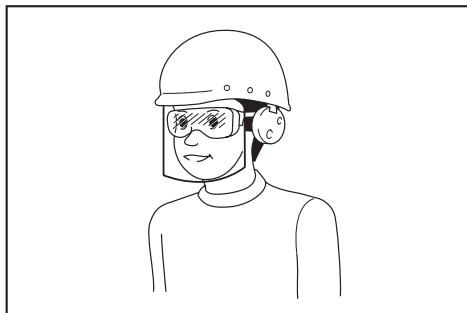
Электрлік қауіпсіздік

1. **Электрлік құралдың ашасы розеткаға сәйкес келуі керек.** Ашаны ешбір жағдайда өзгертпеңіз. Адаптер ашаларын жерге тұйықталған электрлік құралдармен пайдаланбаңыз. Өзгертілмеген ашалар мен сәйкес келетін розеткалар электр тогының соғу қаупін азайтады.
2. **Түтіктер, радиаторлар, жылу батареялары және тоңазытқыштар сияқты жерге тұйықталған бұйымдарды ұстамаңыз.** Егер денеңіз жерге тұйықталатын болса, ток соғу қаупі жоғары болады.
3. **Электрлік құралдарды жаңбырдың астына немесе ылғалды жерлерге қоймаңыз.** Электрлік құралға су кіретін болса, ток соғу қаупі артады.
4. **Қуат сымын мұқият пайдаланыңыз.** Электрлік құралды тасу, тарту немесе қуат көзінен ажырату үшін қуат сымын пайдалануға болмайды. Қуат сымнына ыстық зат, май, өткір жиек немесе қозғалмалы бөлшектер тимеуі керек. Зақымдалған немесе оралған қуат сымдары ток соғу қаупін арттырады.
5. **Электрлік құралды сыртта пайдаланғанда, сыртта қолдануға жарамды ұзартқышты қолданыңыз.** Сыртта қолдануға жарамды шнурды пайдалану ток соғу қаупін азайтады.
6. **Егер электрлік құралды ылғалды жерде пайдалану керек болса, қорғаныстық ажырату құрылғысын (RCD) пайдаланыңыз.** Қорғаныстық ажырату құрылғысын пайдалану ток соғу қаупін азайтады.
7. **Электр қуатын әрдайым 30 А немесе одан кем номиналды дифференциалды тогы бар қорғаныстық ажырату құрылғысы (RCD) арқылы пайдалану ұсынылады.**
8. **Электрлік құралдар электрмагниттік өрістер шығарады, ол пайдаланушыға қауіпті емес.** Дегенмен электрокардиостимулятор және соған ұқсас басқа медициналық құрылғылардың пайдаланушылары электрлік құралды пайдаланбас бұрын, өндірушімен және/немесе дәрігермен кеңесуі керек.
9. **Қуат ашасын су қолыңызбен ұстамаңыз.**
10. **Егер сымны зақымдалған болса, қауіптен сақтану үшін оны өндірушіге немесе оның агентіне апарып ауыстырыңыз.**

Жеке қауіпсіздік

1. **Электрлік құралды пайдаланған кезде, жасап жатқан жұмысыңызға қырағылық танытып, мұқият болыңыз.** Шаршағанда немесе есірткі, алкоголь немесе дәрі-дәрмектің әсерінде болған кезде электрлік құралды пайдаланбаңыз. Электрлік құралды пайдалану кезінде сәл ғана аңсыздық таныту ауыр жарақатқа әкелуі мүмкін.
2. **Жеке қорғаныс құралдарын пайдаланыңыз.** Міндетті түрде қорғаныс көзілдірігін тағыңыз. Шаңнан қорғайтын маска, сырғанайтын қорғаныс аяқ киімі, қасқа немесе құлаққап сияқты қорғаныс жабдықтарын тиісті жағдайларда қолдану жарақаттануды азайтады.

3. Кездейсоқ іске қосудың алдын алыңыз. Құралды қуат көзіне және/немесе аккумулятор блогына қоспас бұрын, оны жинап немесе тасымалдамас бұрын, ауыстырып-қосқышы өшірулі күйде екеніне көз жеткізіңіз. Саусақ электрлік құралдың ауыстырып-қосқышында тұрған кезде оны тасымалдау немесе ауыстырып-қосқышы қосуы электрлік құралды қуат көзіне қосу жазатайым оқиғаға әкеп соғуы мүмкін.
4. Электрлік құралды қоспас бұрын, реттегіш немесе сомынды бұрайтын кілттерді алып тастаңыз. Электрлік құралдың айналмалы бөлігінде реттегіш немесе сомынды бұрайтын кілт бекітулі қалса, жарақаттауы мүмкін.
5. Тым артық күш салмаңыз. Өрдайым тұрақты және тепе-теңдік сақтайтын күйде болыңыз. Бұл күтпеген жағдайда электрлік құралды жақсы басқаруға мүмкіндік береді.
6. Жұмысқа сай киініңіз. Бос киім кимеңіз және өшекей тақпаңыз. Шашыңызды және киіміңізді қозғалмалы бөлшектерден алшақ ұстаңыз. Бос киім, өшекейлер немесе ұзын шаш қозғалмалы бөлшектерге ілініп қалуы мүмкін.
7. Шаң тұту және жинау құрылғылары қамтамасыз етілген болса, олардың қосулы екендігіне және дұрыс қолданылып жатқанына көз жеткізіңіз. Шаң жинау құрылғысын пайдалану шаңмен байланысты қауіпті азайтуы мүмкін.
8. Құралды жиі пайдалану нәтижесінде босаңсып, қауіпсіздік қағидаларын елеусіз қалдырмаңыз. Салғырттық таныту бір мезетте ауыр жарақатқа әкеп соқтыруы мүмкін.
9. Электрлік құралды пайдаланған кезде көзіңізді жарақаттап алмау үшін міндетті түрде қорғаныс көзілдірігін тағыңыз. Қорғаныс көзілдіріктері АҚШ-та ANSI Z87.1, Еуропада EN 166 немесе Австралияда/Жаңа Зеландияда AS/NZS 1336 қауіпсіздік стандарттарымен сәйкес келуі керек. Австралияда/Жаңа Зеландияда бетіңізді қорғау үшін қорғаныс маскасын кию заң негізінде талап етіледі.
2. Ауыстырып-қосқышы ақаулы электрлік құралды пайдаланбаңыз. Ауыстырып-қосқышы ақаулы кез келген электрлік құрал қауіп көндіреді және оны жөндеу керек.
3. Кез келген реттеулер жасамас бұрын, керек-жарақтарды ауыстырмас бұрын немесе электрлік құралдарды ұзақ уақытқа сақтамас бұрын, ашаны қуат көзінен ажыратыңыз және/немесе аккумулятор блогы бар болса, оны шығарып алыңыз. Осындай алдын алу шаралары электрлік құралдың кездейсоқ іске қосылу қаупін азайтады.
4. Электрлік құралдарды балалардың қолы жетпейтін жерде сақтаңыз, сонымен қатар электрлік құралмен жұмыс істей алмайтын және осы нұсқауларды оқымаған тұлғаларға құралды пайдалануға рұқсат етпеңіз. Арнайы оқытудан өтпеген пайдаланушылар үшін электрлік құрал қауіп төндіреді.
5. Электр құралдарына және керек-жарақтарға техникалық қызмет көрсетіңіз. Қозғалмалы бөлшектердің ауытқуы және оралуы, зақымдалған бөлшектер және электрлік құралдың жұмысына кері әсер ететін басқа жағдайлардың бар-жоғын тексеріңіз. Зақымы болса, электрлік құралды жөндеген соң бірақ пайдаланыңыз. Жазатайым оқиғалардың көбі электрлік құралдарға дұрыс техникалық қызмет көрсетілмеу себебінен болады.
6. Кесу құралдары өткір және таза болуы керек. Кескіш жиектері өткір кесу құралдарын дұрыс пайдалансаңыз, олар тұрып қалмайды және сол себепті оларды басқару да оңайырақ етеді.
7. Электрлік құралды, керек-жарақтарды және қондырмаларды, т.б. жұмыс жағдайы мен орындалатын жұмысты ескере отырып, осы нұсқауларға сәйкес пайдаланыңыз. Электрлік құралды басқа мақсатта пайдаланған жағдайда, қауіпті жағдай туындауы мүмкін.
8. Тұтқалардың және жұмыс орындалатын беттердің құрғақ, таза және майлы болмауын қамтамасыз етіңіз. Тұтқалар және қолмен ұстайтын беттер тайғақ болса, күтпеген жағдай орын алғанда, құралды пайдалану және оған ие болу мүмкін болмайды.
9. Электрлік құралды пайдаланған кезде, ішіне тартылу матадан жасалған қорғаныс қолғабын кимеңіз. Матадан жасалған қорғаныс қолғаптары қозғалмалы бөлшектерге ілініп қалса, жарақаттауы мүмкін.



Құрал пайдаланушылары мен жұмыс аймағындағы басқа да тұлғалардың тиісті қауіпсіздік қорғаныс жабдықтарын пайдалануын қамтамасыз ету жұмыс берушінің жауапкершілігінде.

Электрлік құралды пайдалану және күтім жасау

1. Электрлік құралға артық күш түсірмеңіз. Орындалатын жұмысқа сәйкес келетін электрлік құралды пайдаланыңыз. Дұрыс таңдалған электрлік құрал өзіне жүктелген жұмысты жақсы және қауіпсіз істейді.

Қызмет көрсету

1. Электрлік құралға қызмет көрсетуді тек қаа жөндеу бойынша білікті аман тиісті қосалқы бөлшектерді пайдаланып жүзеге асыруы қажет. Бұл электрлік құралдың қауіпсіздігін қамтамасыз етеді.
2. Керек-жарақтарды майлау және ауыстыру нұсқауын орындаңыз.

Қыл ара қауіпсіздігі бойынша ескертулер

1. Жұмыс істеп жатқанда, кесуге арналған керек-жарақ жасырын сымға немесе өз шнурына тиіп кетуі мүмкін болса, электрлік құралды оқшауланған арнайы қысқыштармен ұстаңыз. Кесу құралы кернеулі сымға тиіп кетсе, электрлік құралдың ашық металл бөлшектерінде кернеу пайда болады, нәтижесінде операторды ток соғуы мүмкін.
2. Өңдеу бөлшегін орнықты платформаға бекітіп, тіреу үшін қысқыштарды немесе басқа тиімді әдісті пайдаланыңыз. Өңдеу бөлшегін қолмен немесе денеңізге қарама-қарсы ұстасаңыз, ол тұрақсыз күйде болып, оған ие бола алмай қалуыңыз мүмкін.
3. Әрдайым қауіпсіздік көзілдірігін немесе қорғаныс көзілдірігін пайдаланыңыз. Қарапайым көзілдірік немесе күннен қорғайтын көзілдірік қорғаныс көзілдірігі болып ТАБЫЛМАЙДЫ.
4. Шегелерінің жырып кетуінен абай болыңыз. Өңдеу бөлшегінде қандай да бір шегелердің бар-жоғын тексеріп, жұмысты бастау алдында оларды алып тастаңыз.
5. Ірі габаритті өңдеу бөлшегін кеспеніз.
6. Жүз еденді, жұмыс үстелін және т.б. зақымдамауы үшін кесу алдында өңдеу бөлшегінің айналасын тексеріңіз.
7. Құралды мықтап ұстаңыз.
8. Ауыстырып-қосқышты іске қоспас бұрын жүздің өңдеу бөлшегіне тиіп тұрмағандығына көз жеткізіңіз.
9. Қолдарыңызды айналмалы бөлшектерден аулақ ұстаңыз.
10. Құралды қосулы күйде қалдырмаңыз. Құралды тек қолмен ұстап пайдаланыңыз.
11. Өңдеу бөлшегінен араны алып тастамас бұрын, араны өшіріп, толық тоқтағанша күтіңіз.
12. Қолданбалы құралды немесе өңдеу бөлшегін пайдаланғаннан кейін бірден ұстауға болмайды. Олар өте ыстық болып, теріні күйдіруі мүмкін.
13. Қажет болмаса, құралды жүктемесіз пайдаланбаңыз.
14. Кейбір материалдарда улы болуы мүмкін химиялық заттар бар. Шаң жұтуға жол бермей, теріге тигізбеңіз. Материал жеткізушісінің қауіпсіздік туралы деректерін қараңыз.
15. Пайдаланып жатқан материал мен жұмыс үшін әрдайым тиісті түрде шаңнан қорғайтын масканы/респираторды пайдаланыңыз.

ОСЫ НҰСҚАУЛАРДЫ САҚТАҢЫЗ.

▲ЕСКЕРТУ: Бұл өнімді әбден пайдаланып үйренген (қайта-қайта пайдаланғанның нәтижесінде) болсаңыз да және сізге қолайсыздық тудырса да, осы өнімді қолдану кезінде қауіпсіздік техникасы ережелерін қатаң түрде сақтау қажет. Осы пайдалану жөніндегі нұсқаулықта келтірілген қауіпсіздік ережелерін **ДҰРЫС ПАЙДАЛАНБАУ** немесе орындамау ауыр жарақаттарға әкеп соқтыруы мүмкін.

ФУНКЦИОНАЛДЫҚ СИПАТТАМАСЫ

▲САҚ БОЛЫҢЫЗ:

- Құралдың жұмысын реттемес және тексермес бұрын, әрдайым құралдың өшірулі екендігіне және ажыратылғандығына көз жеткізіңіз.

Кесу әрекетін таңдау (4328/4329 үлгілері үшін)

► **Сурет1:** 1. Кесу әрекетін өзгерту тетігі

Бұл құрал айналмалы немесе тікелей (жоғары және төмен) кесу әрекеті арқылы жұмыс істей алады. Айналмалы кесу әрекеті қыл ара жүзін кесу жүрісіне бағыттайды және кесу жылдамдығын айтарлықтай арттырады.

Кесу әрекетін өзгерту үшін, кесу әрекетін өзгерту тетігін қажетті кесу әрекеті күйіне қойыңыз. Тиісті кесу әрекетін таңдау үшін кестеге қараңыз.

Күй	Кесу әрекеті	Қолдану жолдары
0	Тікелей кесу әрекеті	Жұмсақ болатты, тот баспайтын болатты және пластмассаны кесу үшін. Ағашта және фанерада таза кесу үшін.
I	Шағын айналмалы кесу әрекеті	Жұмсақ болатты, алюминийді және қатты ағашты кесу үшін.
II	Орташа айналмалы кесу әрекеті	Ағашты және фанераны кесу үшін. Алюминий мен жұмсақ болатта тез кесу үшін.
III	Үлкен айналмалы кесу әрекеті	Ағашта және фанерада тез кесу үшін.

Ауыстырып-қосқыштың әрекеті

► **Сурет2:** 1. Ауыстырып-қосқыш шүріппесі
2. Құлыптау түймесі

▲САҚ БОЛЫҢЫЗ:

- Құралды қоспас бұрын, әрдайым ауыстырып-қосқыш шүріппесінің дұрыс жұмыс істеп тұрғанына және босатылған кезде "OFF" (ӨШІРУЛІ) күйіне қайтарылатынына әрқашан көз жеткізіп тұрыңыз.

Құралды іске қосу үшін жай ғана ауыстырып-қосқыш шүріппесін басыңыз. Тоқтату үшін ауыстырып-қосқыш шүріппесін жіберіңіз.

Үздіксіз жұмыс істеу үшін ауыстырып-қосқыш шүріппесін тартып, құлыптау түймесін басыңыз.

Құралды құлыпталған күйден шығару үшін, ауыстырып-қосқыш шүріппесін толығымен тартып, босатыңыз.

Жылдамдық реттегіш дөңгелек (4327/4328/4329 үлгілері үшін)

► Сурет3: 1. Жылдамдық реттегіш дөңгелек

Құралдың жылдамдығын минутына 500 және 3100 соққы аралығындағы ауқымда реттегіш дөңгелекті бұру арқылы реттеуге болады. Жылдамдық дөңгелек бағыты 6 санына бұрылған кезде жоғарылайды, ал 1 санына бұрылған кезде төмендейді.

Кесілетін өңдеу бөлшегіне арналған дұрыс жылдамдықты таңдау үшін кестені қараңыз. Бірақ дұрыс жылдамдық өңдеу бөлшегінің түріне немесе қалыңдығына байланысты әртүрлі болуы мүмкін. Жалпы жоғары жылдамдықтар өңдеу бөлшегін жылдам кесуге мүмкіндік береді, бірақ жүздің қызмет ету мерзімін төмендетеді.

Кесілетін өңдеу бөлшегі	Реттегіш дөңгелектегі нөмір
Ағаш	5 - 6
Жұмсақ болат	3 - 6
Тот баспайтын болат	3 - 4
Алюминий	3 - 6
Пластмасса	1 - 4

▲ САҚ БОЛЫҢЫЗ:

- Құрал ұзақ уақыт бойы үздіксіз төмен жылдамдықта жұмыс істесе, мотор шамадан тыс жүктеліп, қызып кетеді.
- Жылдамдық реттегіш дөңгелегін 6 және 1 сандары аралығында бұруға болады. Дөңгелекті 6 немесе 1 санынан асыруға тырыспаңыз немесе жылдамдық реттегіш функциясы істен шығуы мүмкін.

ҚҰРАСТЫРУ

▲ САҚ БОЛЫҢЫЗ:

- Құралмен жұмыс істемес бұрын, әрдайым құралдың өшірулі екендігіне және ажыратылғандығына көз жеткізіңіз.

Қыл ара жүзін орнату немесе алу

► Сурет4: 1. Жүз ұстағыш 2. Болт 3. Алты қырлы кілт

▲ САҚ БОЛЫҢЫЗ:

- Жүзге және/немесе жүзді ұстаушыға жабысқан барлық жоңқаларды не бөтен заттарды әрдайым тазалап, алып тастаңыз. Әйтпесе жүз жеткіліксіз бекітіліп, ауыр жарақат алуға себеп болуы мүмкін.
- Қолданбалы құралды немесе өңдеу бөлшегін пайдаланғаннан кейін бірден ұстауға болмайды. Олар өте ыстық болып, теріні күйдіруі мүмкін.
- Жүзді әрдайым мықтап бекітіңіз. Жүздің жеткіліксіз бекітілуі жүздің сынуына немесе ауыр жарақатқа әкелуі мүмкін.
- Тек В түріндегі қыл ара жүзін пайдаланыңыз. В түрінен басқа жүздерді пайдалану нәтижесінде жүз жеткіліксіз бекітіліп, ол ауыр жарақатқа себеп болуы мүмкін.

Жүзді орнату үшін алты қырлы кілтті пайдаланып, жүз ұстағышындағы болтты сағат тіліне қарсы бұрап босатыңыз.

Жүз тістерін алға қаратып, жүзді жүз ұстағышына барынша терең енгізіңіз. Жүздің артқы шеті роликке сай келетініне көз жеткізіңіз. Содан соң жүзді бекіту үшін болтты сағат тілімен мықтап бұраңыз.

► Сурет5: 1. Болт 2. Жүз 3. Ролик

Жүзді алу үшін орнату процедурасын керісінше орындаңыз.

ЕСКЕРТПЕ:

- Роликті кейде майлап тұру керек.

Алты қырлы кілтті сақтау

► Сурет6: 1. Ілмек 2. Алты қырлы кілт

Алты қырлы кілт қолданылмайтын кезде жоғалып қалмауы үшін суретте көрсетілгендей сақтаңыз.

Ролик реттегіш (4326/4327 үлгілері үшін)

► Сурет7: 1. Жүз 2. Ролик 3. Фиксатор 4. Алты қырлы кілт 5. Болт 6. Табан

Алты қырлы кілтпен қыл ара табанының артқы жағындағы болтты босатыңыз. Ролик жүзбен жылдам жанасатындай етіп фиксаторды жылжытыңыз. Содан соң табан мен фиксаторды бекіту үшін болтты мықтап бұраңыз.

ЕСКЕРТПЕ:

- Роликті кейде майлап тұру керек.

Шаңнан қорғау қақпағы

► Сурет8: 1. Шаңнан қорғау қақпағы

▲ САҚ БОЛЫҢЫЗ:

- Шаңнан қорғау қақпағы түсірілген құралмен жұмыс істеу кезінде әрқашан қорғаныс көзілдірігін пайдаланыңыз.

Жоңқалардың ұшуына жол бермеу үшін шаңнан қорғау қақпағын төмен түсіріңіз. Бірақ көлбеу кесу кезінде оны көтеру қажет.

ПАЙДАЛАНУ

▲ САҚ БОЛЫҢЫЗ:

- Қыл ара табанын әрқашан өңдеу бөлшегімен бірге ұстаңыз. Әйтпесе жүз сынып, ауыр жарақат алуға себеп болуы мүмкін.
- Қисықтарды кесу немесе айналдыру кезінде құралды өте баяу жылжытыңыз. Құралға күш салу кесу бетін көлбеулетіп, жүздің сынуына әкелуі мүмкін.

Жүз ештеңеге тимей тұрғанда құралды қосып, жүз толық жылдамдыққа жеткенше күтіңіз. Содан кейін қыл ара табанын өңдеу бөлшегіне қойып, құралды алдын ала белгіленген кесу сызығы бойымен жылжытыңыз.

► Сурет9: 1. Кесу сызығы 2. Табан

Көлбеу кесу

► Сурет10

▲САҚ БОЛЫҢЫЗ:

- Табанды еңкейтпес бұрын, әрдайым құралдың өшірулі екеніне және қуаттан ажыратылғанына көз жеткізіңіз.
- Көлбеу кесу жұмысының алдында шаңнан қорғайтын қақпақты көтеріңіз.

Қыл ара табанын еңкейту арқылы, 0° және 45° аралығындағы кез келген бұрышта (сол немесе оң жақ) көлбеу кесу әрекеттерін орындауға болады. Алты қырлы кілтпен қыл ара табанының артқы жағындағы болтты босатыңыз. Қыл ара табанындағы крест тәрізді ойықтың ортасына болт орналасатындай етіп, қыл ара табанын жылжытыңыз.

► Сурет11: 1. Алты қырлы кілт 2. Болт 3. Табан

Қажетті көлбеу бұрышқа қол жеткізгенге дейін қыл ара табанын еңкейтіңіз. Мотор корпусының жиегі градация арқылы көлбеу бұрышты көрсетеді. Содан соң қыл ара табанын бекіту үшін болтты мықтап бұраңыз.

► Сурет12: 1. Жиiek 2. Градация

Беттеу арқылы кесу

► Сурет13: 1. Алты қырлы кілт 2. Болт 3. Табан

Алты қырлы кілтпен қыл ара табанының артқы жағындағы болтты босатып, қыл ара табанын толығымен артқа қарай сырғытыңыз. Содан соң қыл ара табанын бекіту үшін болтты мықтап бұраңыз.

Саңылаулар

Саңылауларды екі тәсілдің бірін пайдалана отырып жасауға болады: А немесе В.

А) Бастапқы тесікті бұрғылау

► Сурет14: 1. Бастапқы тесік

Жиiekтен ішке қарай кесілмеген ішкі саңылаулар үшін диаметрі 12 мм немесе одан үлкен бастапқы саңылауды алдын ала бұрғылап тесу керек. Кесуді бастау үшін жүзді осы тесікке салыңыз.

В) Терең кесу

► Сурет15

Төменде көрсетілген нұсқауларды мұқият орындасаңыз, бастапқы тесікті бұрғылаудың немесе ішке қарай кесудің қажеті жоқ.

- (1) Жүздің ұшын өңдеу бөлшегінің үстіне орналастырып, табанның алдыңғы жиегінде құралды жоғары қарай еңкейтіңіз.
- (2) Құралды қосқанда, табанның алдыңғы жиегі қозғалып қалмауы үшін құралды басып тұрыңыз да, құралдың артқы жағын ақырын төмендетіңіз.
- (3) Қыл ара жүзі өңдеу бөлшегін тесіп өткенде, құралдың табанын өңдеу бөлшегінің үстіне баяу түсіріңіз.
- (4) Кесу жұмысын қалыпты түрде аяқтаңыз.

Жиiekтерді өңдеу

► Сурет16

Жиiekтерді кесу немесе өлшемдік реттеу жасау үшін, қыл ара жүзін кесу жиiekтері бойынша сәл ғана жүргізіңіз.

Металл кесу

Металл кесу кезінде әрдайым үйлесімді салқындатқыш сұйықтықты (кесуге арналған май) қолданыңыз. Өйтпесе жүз айтарлықтай тозуы мүмкін. Өңдеу бөлшегінің төменгі жағын салқындатқыш сұйықтық қолданбай, майлап қоюға болады.

Шаң жою

► Сурет17: 1. Шаңнан қорғау қақпағы 2. Шланг

Таза кесу жұмыстарын осы құралды Makita шаңсорғышына қосу арқылы орындауға болады. Шаңсорғыш шлангісін құралдың артқы жағындағы тесікке салыңыз. Жұмыс алдында шаңнан қорғау қақпағын төмен түсіріңіз.

ЕСКЕРТПЕ:

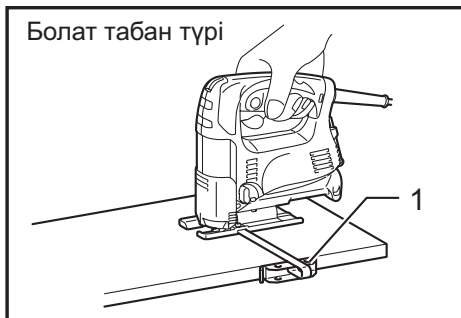
- Көлбеу кесу кезінде шаң жою процедурасын орындау мүмкін емес.

Бағыттаушы тақтайша (қосымша керек-жарақ)

▲САҚ БОЛЫҢЫЗ:

- Керек-жарақтарды орнатпас не алмас бұрын, әрдайым құралдың өшірулі екендігіне және қуаттан ажыратылғандығына көз жеткізіңіз.

1. Тікелей кесу



► Сурет18: 1. Бағыттаушы тақтайша (бағыттауыш сызғыш)

Ені 160 мм немесе одан аз қайталама кесу кезінде, бағыттаушы тақтайшаны пайдалану жылдам, таза, тік кесуге мүмкіндік береді.

Алюминий табан түрі

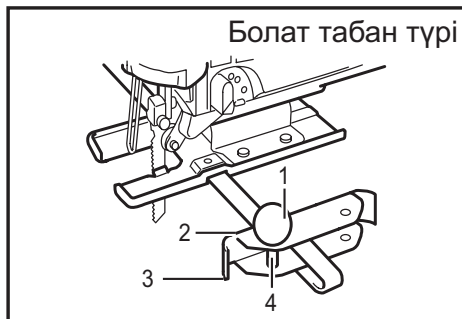


► **Сурет19:** 1. Бағыттаушы тақтайша (бағыттауыш сызғыш)

Орнату үшін бағыттаушы тақтайшаны қыл ара табанының бүйіріндегі тік бұрышты тесікке бағыттауышын төмен қаратып салыңыз. Бағыттаушы тақтайшаны қажет кесу ені орнына сырғытыңыз, содан кейін оны бекіту үшін болтты қатайтыңыз.

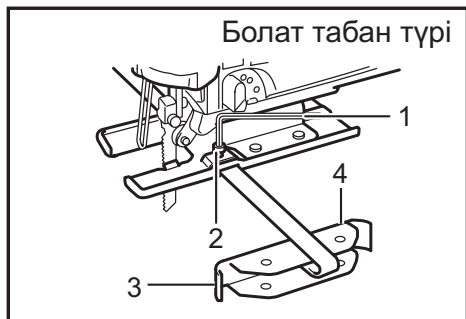
2. Шеңберлі кесу

Болат табан түрі



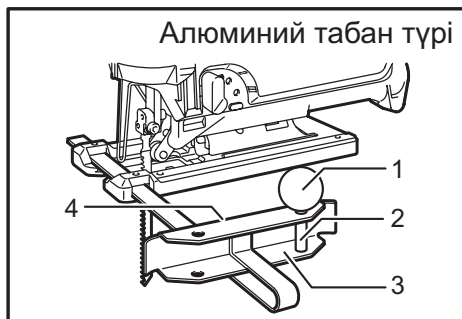
► **Сурет22:** 1. Қорғауыш бар тұтқа 2. Бағыттаушы 3. Бағыттаушы тақтайша (бағыттауыш сызғыш) 4. Істік

Болат табан түрі



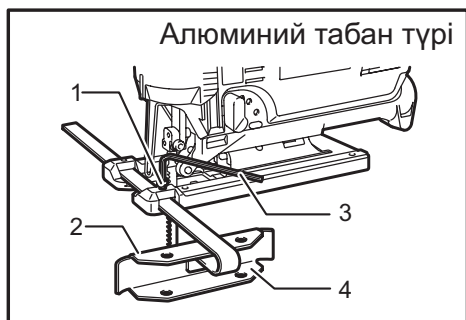
► **Сурет20:** 1. Алты қырлы кілт 2. Болт 3. Бағыттаушы тақтайша (бағыттауыш сызғыш) 4. Бағыттауыш

Алюминий табан түрі



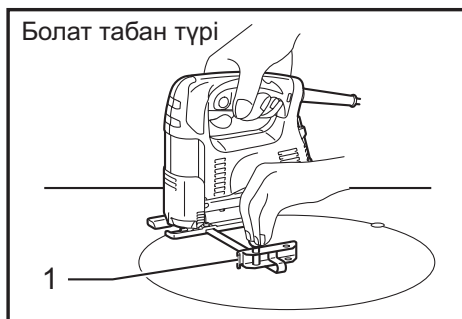
► **Сурет23:** 1. Бұрандалы тұтқа 2. Істік 3. Бағыттаушы тақтайша (бағыттауыш сызғыш) 4. Бағыттауыш

Алюминий табан түрі



► **Сурет21:** 1. Болт 2. Бағыттауыш 3. Алты қырлы кілт 4. Бағыттаушы тақтайша (бағыттауыш сызғыш)

Болат табан түрі



► **Сурет24:** 1. Бағыттаушы тақтайша (бағыттауыш сызғыш)

Алюминий табан түрі



► **Сурет25:** 1. Бағыттаушы тақтайша (бағыттауыш сызғыш)

Радиусы 170 мм немесе одан кем шеңберлерді немесе иіндерді кесу кезінде бағыттаушы тақтайшаны төменде көрсетілгендей орнатыңыз. Бағыттаушы тақтайшаны қыл ара табанының бүйіріндегі тік бұрышты тесікке бағыттауышын жоғары қаратып салыңыз. Айналмалы бағыттаушы сырығын бағыттаушы тақтайшадағы екі тесіктің біреуіне салыңыз. Сырықты бекіту үшін бұрандалы тұтқаны сырыққа бұраңыз. Бағыттаушы тақтайшаны қажет кесу радиусына сырғытыңыз, содан кейін оны бекіту үшін бұранданы бекітіңіз. Содан кейін қыл ара табанын алға қарай жылжытыңыз.

ЕСКЕРТПЕ:

- Шеңбер немесе иіндерді кесу кезінде әрқашан № В-17, В-18, В-26 немесе В-27 қыл ара жүздерін пайдаланыңыз.

Болат табанға арналған уатуға қарсы құрылғы (қосымша керек-жарақ)

► **Сурет26:** 1. Уатуға қарсы құрылғы 2. Дөңестер

Уатусыз кесу үшін уатуға қарсы құрылғыны пайдалануға болады. Уатуға қарсы құрылғыны орнату үшін, қыл ара табанын алға қарай жылжытыңыз және оны табанның екі дөңесі арасына салыңыз.

ЕСКЕРТПЕ:

- Көлбеу кесу кезінде уатуға қарсы құрылғыны пайдалану мүмкін емес.

Алюминий табанға арналған уатуға қарсы құрылғы (қосымша керек-жарақ)

► **Сурет27:** 1. Уатуға қарсы құрылғы 2. Алюминий табан

Уатусыз кесу үшін уатуға қарсы құрылғыны пайдалануға болады. Уатуға қарсы құрылғыны орнату үшін, қыл ара табанын алға қарай жылжытып, оны құрал табанының артқы жағынан салыңыз. Жабын тақтасын пайдалану кезінде уатуға қарсы құрылғыны жабын тақтасына орнатыңыз.

▲ **САҚ БОЛЫҢЫЗ:**

- Көлбеу кесу кезінде уатуға қарсы құрылғыны пайдалану мүмкін емес.

Алюминий табанға арналған жабын тақтасы (қосымша керек-жарақ)

► **Сурет28:** 1. Жабын тақтасы 2. Алюминий табан

Декоративтік шерелер, пластмассалар және т.б. кесу кезінде жабын тақтасын пайдаланыңыз. Ол сезімтал немесе нәзік беттерді зақымдалудан қорғайды. Жабын тақтасын құрал табанының артқы жағына енгізіңіз.

ТЕХНИКАЛЫҚ ҚЫЗМЕТ КӨРСЕТУ

▲ **САҚ БОЛЫҢЫЗ:**

- Тексеру немесе техникалық қызмет көрсету жұмыстарын жүргізбес бұрын, әрдайым құралдың өшірулі екендігіне және токταν ажыратылғанына көз жеткізіңіз.
- Жанармайды, бензинді, сұйылтқышты, спиртті немесе соған ұқсас заттарды ешқашан пайдаланбаңыз. Нәтижесінде түссіздену, бұлну немесе жарықтар пайда болуы мүмкін.

Өнімнің ҚАУІПСІЗДІГІ мен СЕНІМДІЛІГІН қамтамасыз ету үшін жөндеу жұмыстары, графитті қылшақты тексеру және алмастыру, кез келген басқа техникалық қызмет көрсету немесе реттеу жұмыстары Makita компаниясының өкілетті қызмет көрсету орталықтары тарапынан (Makita қосалқы бөлшектерін қолдана отырып) орындалуы керек.

ҚОСЫМША КЕРЕК-ЖАРАҚТАР

▲ **САҚ БОЛЫҢЫЗ:**

- Бұл керек-жарақтар мен қондырмаларды осы нұсқаулықта көрсетілген Makita құралымен бірге пайдаланған дұрыс. Басқа керек-жарақтар мен қондырмаларды пайдалану адамдардың жарақаттануына әкелуі мүмкін. Керек-жарақты немесе саптаманы тек мақсатына сәйкес қолданыңыз.

Осы керек-жарақтар туралы қосымша мәлімет алу үшін көмек қажет болса, жергілікті Makita қызмет көрсету орталығына хабарласыңыз.

- Қыл ара жүздері
- Алты қырлы кілт 3
- Бағыттаушы тақтайша (бағыттауыш сызғыш) орнату
- Уатуға қарсы құрылғы
- Шланг (шаңсорғышқа арналған)
- Жабын тақтасы (алюминий табанға арналған)

ЕСКЕРТПЕ:

- Тізімдегі кейбір элементтер стандартты керек-жарақтар ретінде құралдың қаптамасында болуы мүмкін. Олар елге байланысты әртүрлі болуы мүмкін.

Makita Europe N.V. Jan-Baptist Vinkstraat 2,
3070 Kortenberg, Belgium

Makita Corporation 3-11-8, Sumiyoshi-cho,
Anjo, Aichi 446-8502 Japan

www.makita.com

884727A781 EN, RU, KK 20181113
